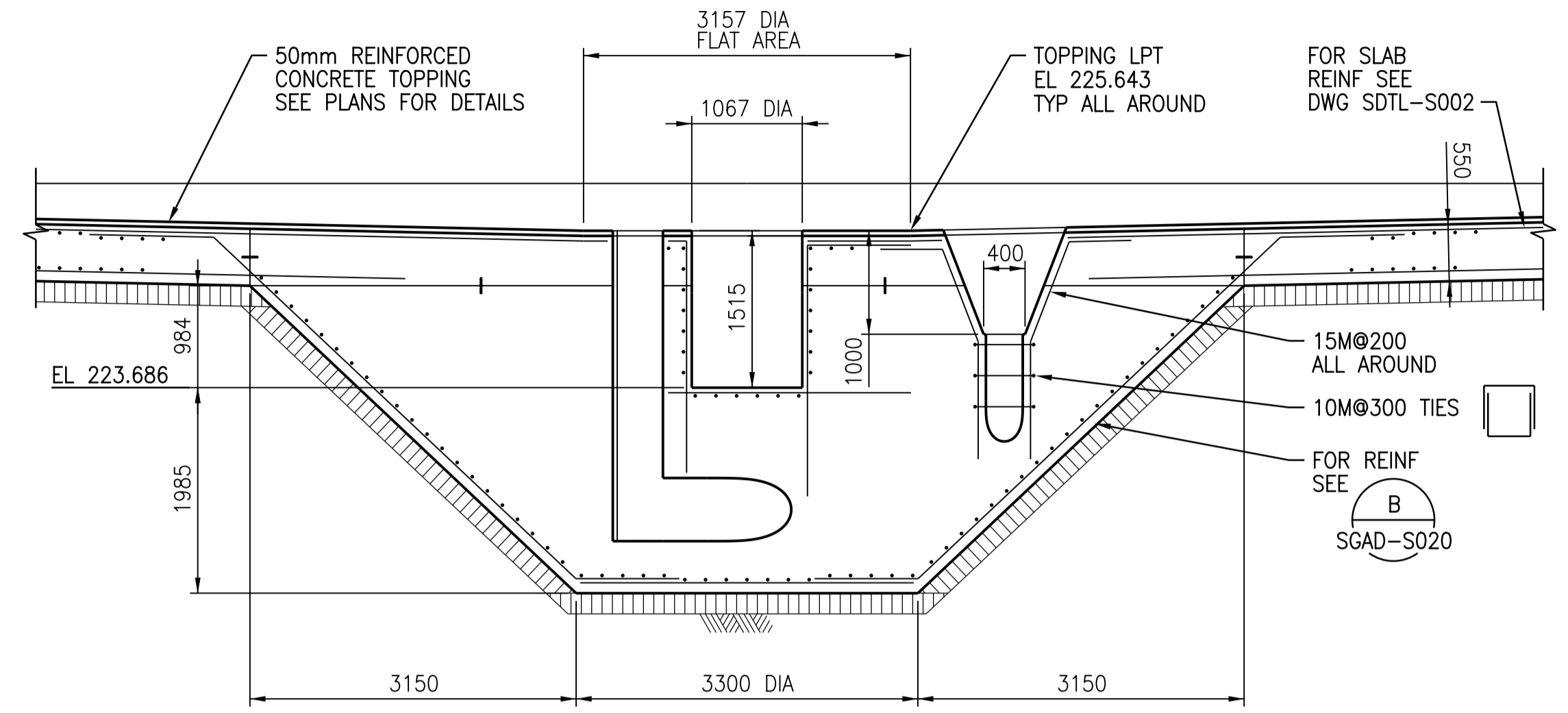
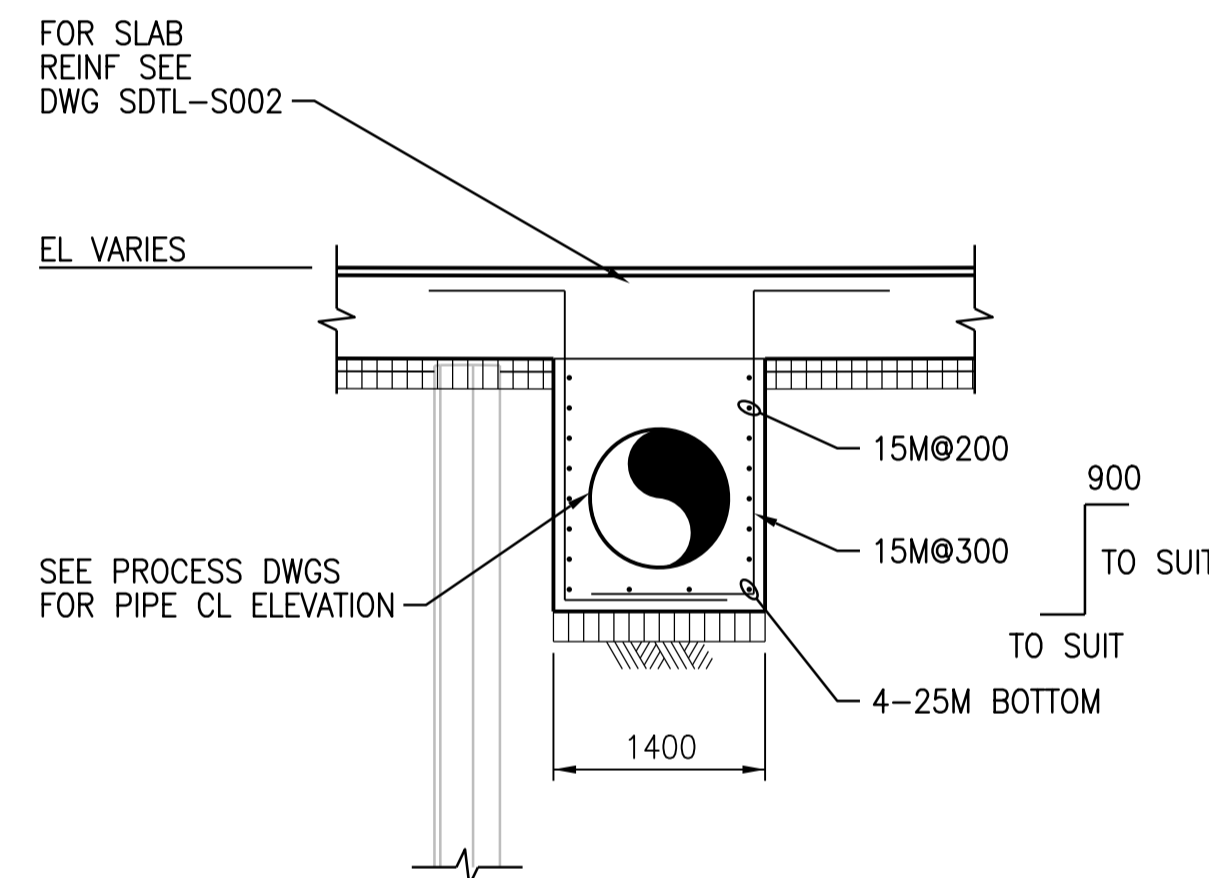


1 DETAIL
1:20
SGAD-S003

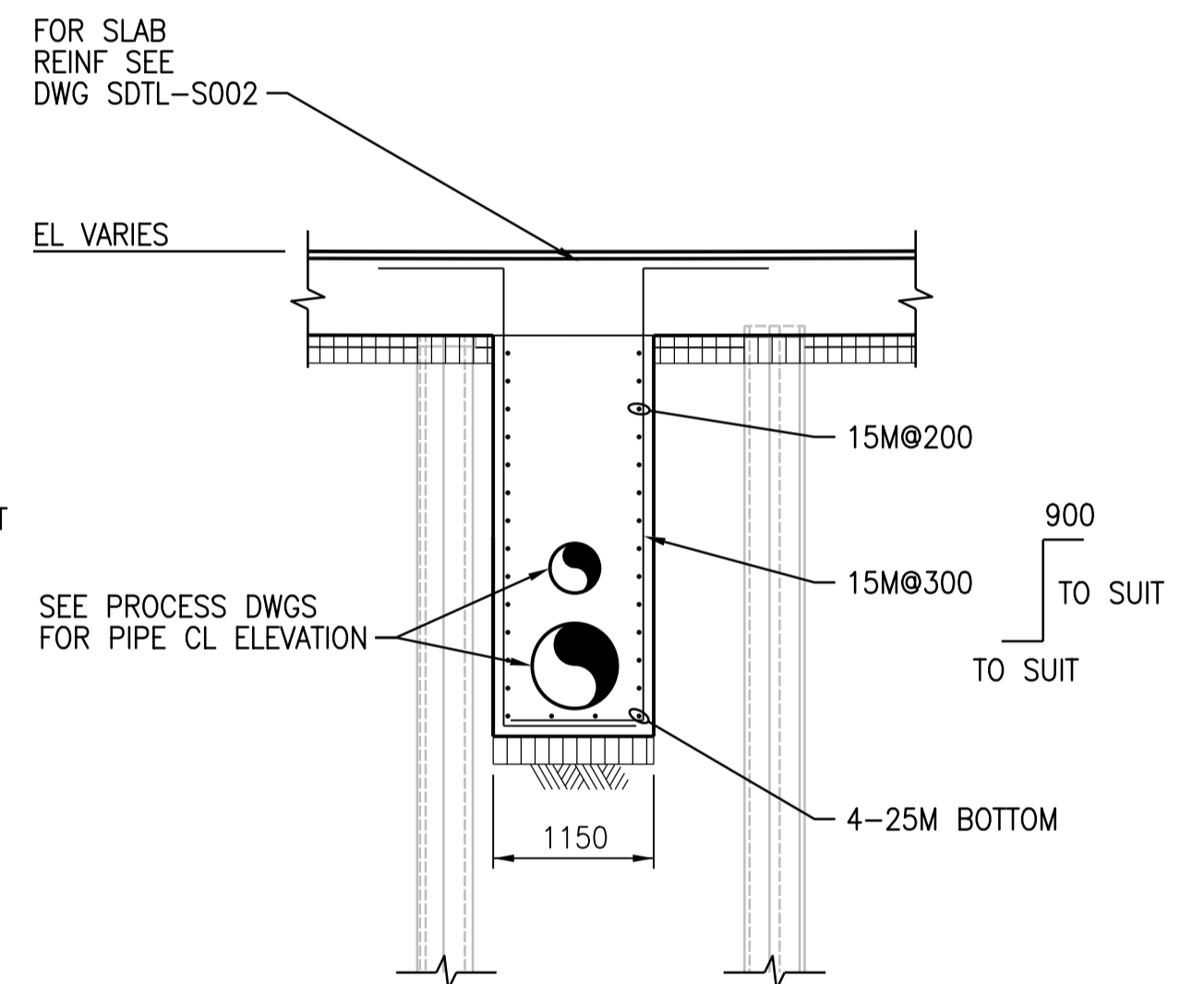
CO-ORDINATE EMBEDMENT AND ANCHORAGE OF EQUIPMENT WITH EQUIPMENT SUPPLIER BEFORE SENDING ANY SHOP DRAWINGS, TYP



2 DETAIL
1:50



3 DETAIL
1:50
SGAD-S003

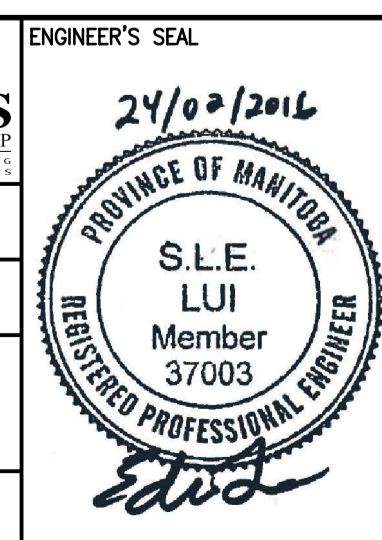


4 DETAIL
1:50
SGAD-S003



NO.	REVISIONS	DATE	DESIGN	CHECK
01	ISSUED FOR ADD. 2 - B.O. 899-2015	02/2016	G.O.	J.C.
00	ISSUED FOR TENDER - B.O. 899-2015	01/2016	G.O.	J.C.

CH2MHILL		KGS	
SNC-LAVALIN			
DESIGNED BY:	A THAKKAR	CHECKED BY:	R. PARIKH
DRAWN BY:	G. OMORI	APPROVED BY:	H.T. FREIHAMMER
SCALE:	AS NOTED	ISSUED FOR CONSTRUCTION	BY: T. TURZAK
DATE:	2016/01/29	DATE:	2016/01/29
CONSULTANT NO.: 474248			



THE CITY OF WINNIPEG
Winnipeg WATER AND WASTE DEPARTMENT

SOUTH END WATER POLLUTION CONTROL CENTRE
SEWPCC UPGRADING/EXPANSION PROJECT
STRUCTURAL
SECONDARY CLARIFIERS 4 AND 5
DETAILS

CITY DRAWING NUMBER: 1-0102-SDTL-S003
SHEET: 001
REV: 01
SIZE: A1