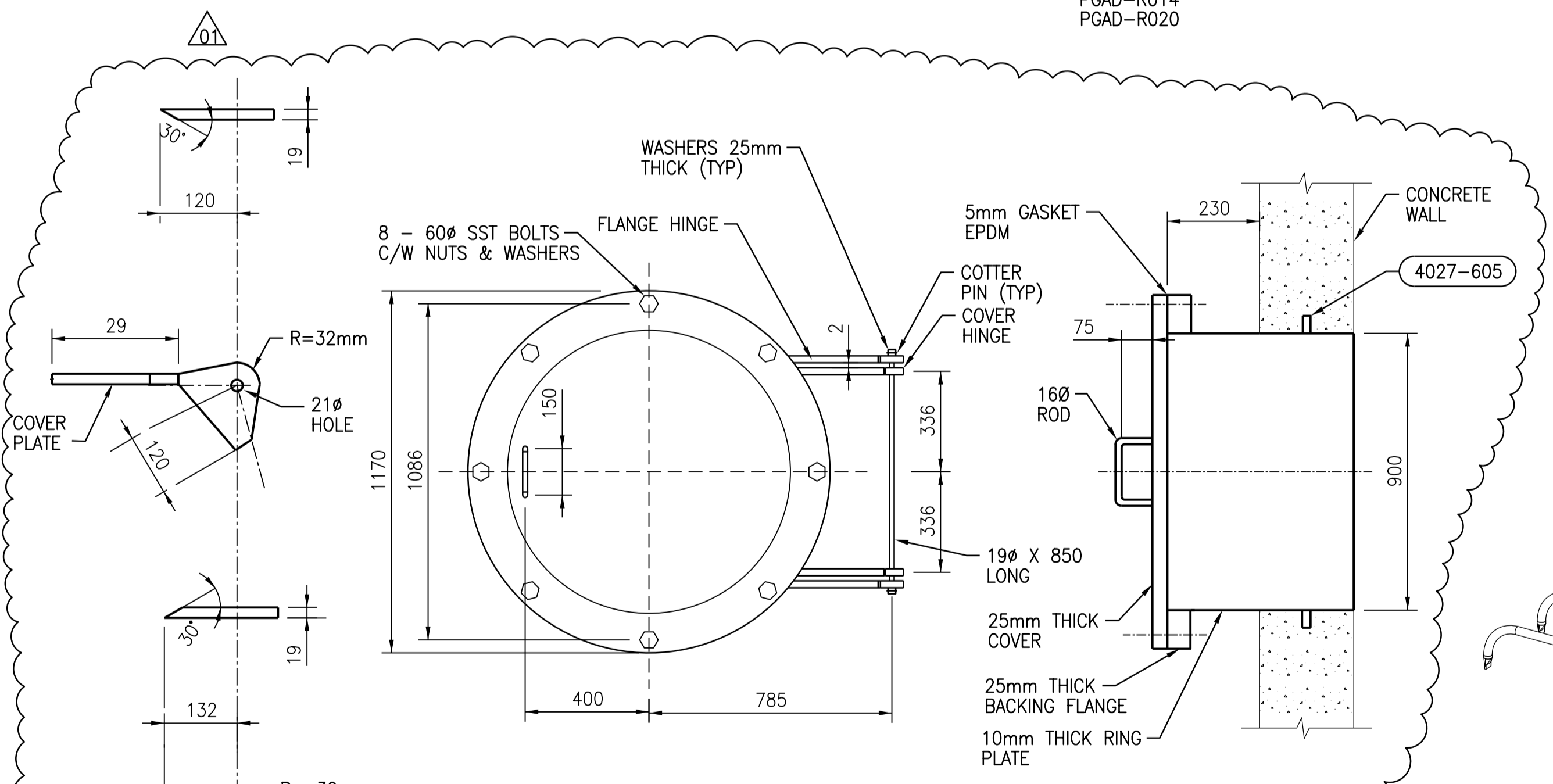
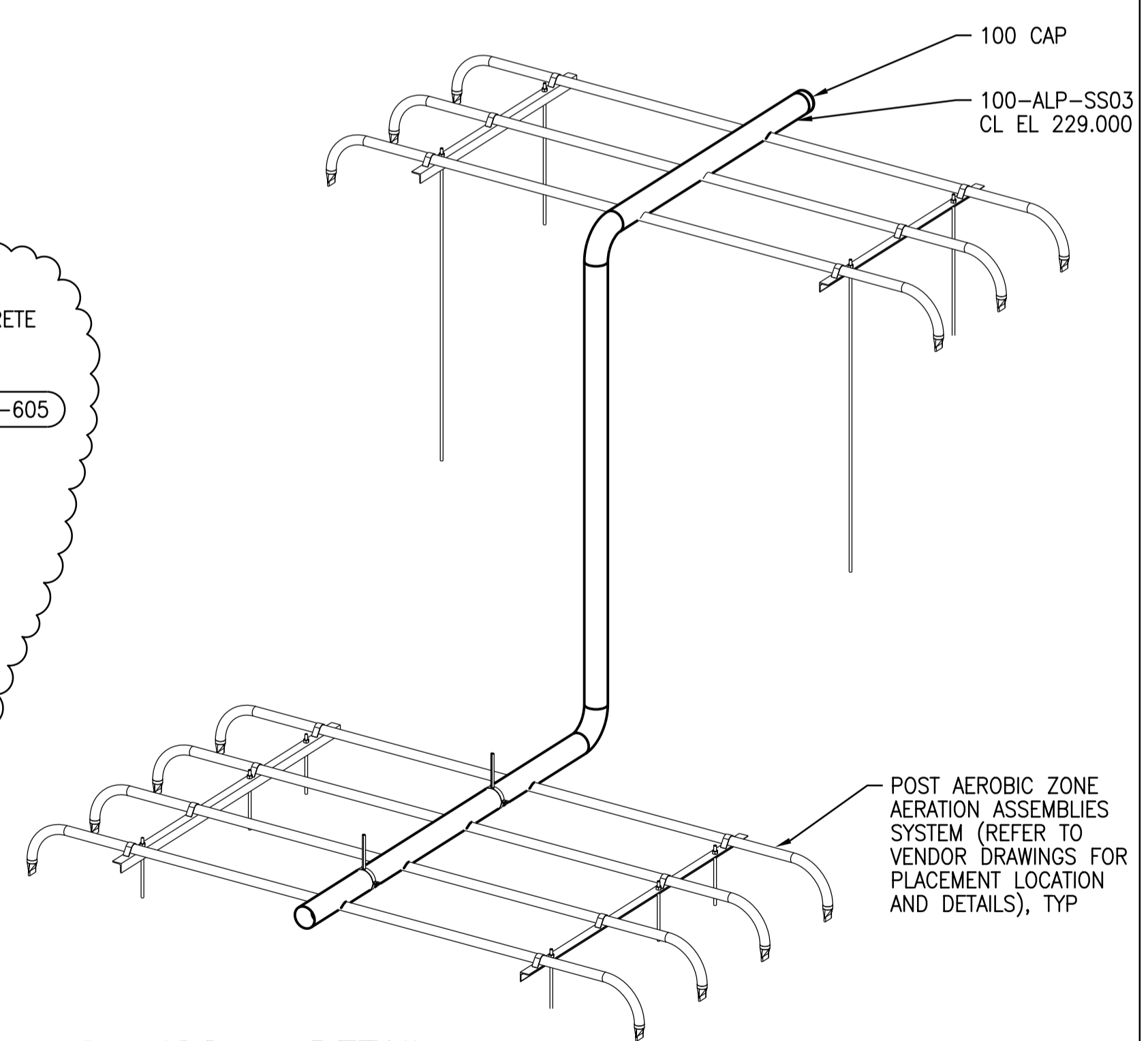


1 ISO - DETAIL
NTS
PGAD-R002
PGAD-R006
PGAD-R014
PGAD-R020

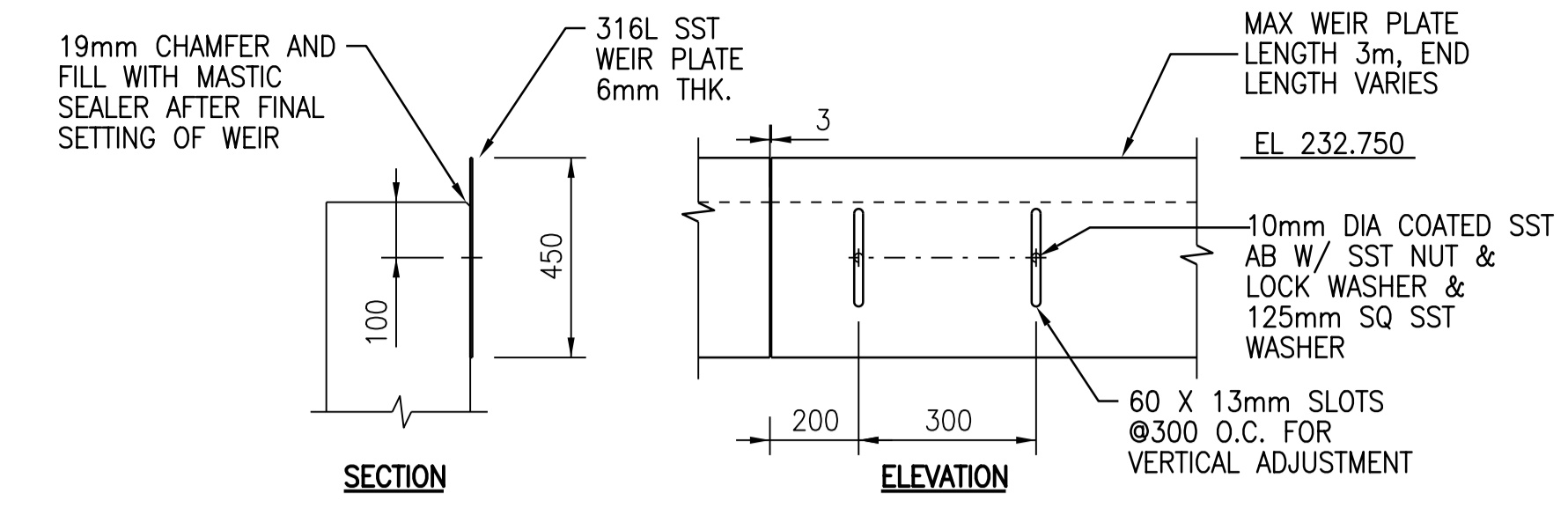


2 900 DIA ACCESS HATCH
NTS
PGAD-R002
PGAD-R003
PGAD-R004
PGAD-R015
PGAD-R016
PGAD-R019
NOTE:
1. ALL IN STAINLESS STEEL 316L, 7M WATER PRESSURE BY DOUGLAS BARWICK OR EQUAL, MAKE WATER TIGHT.

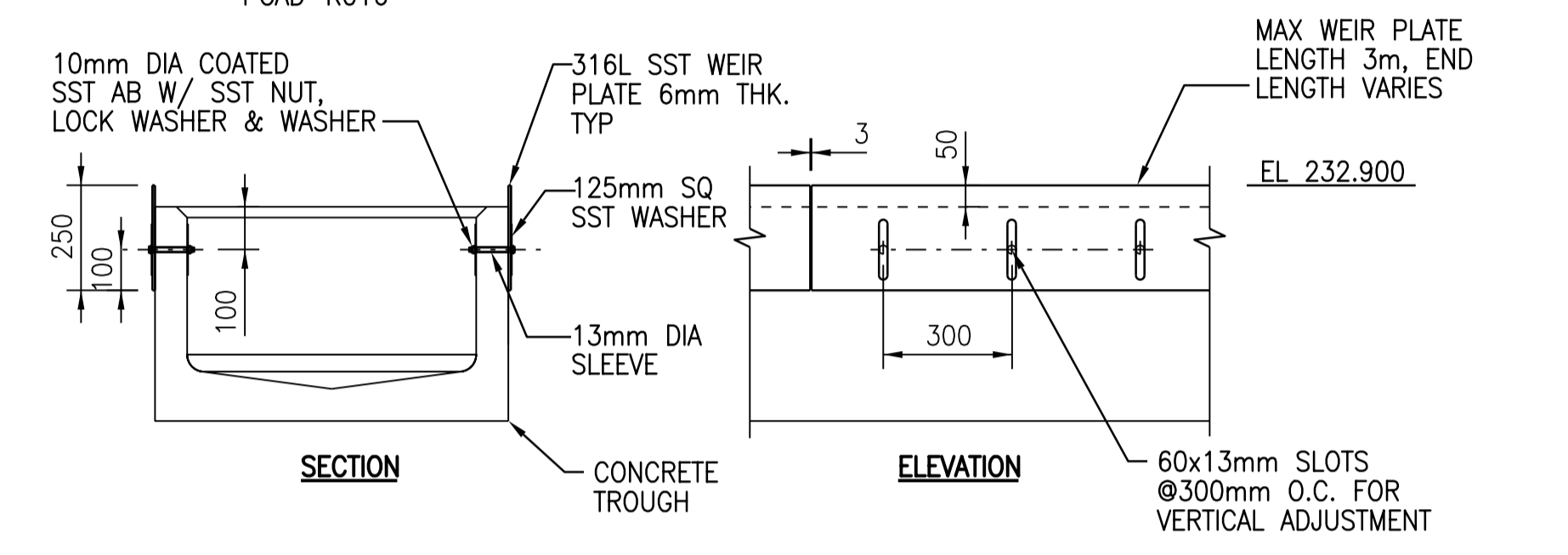


3 ISO - DETAIL
NTS
PGAD-R002
PGAD-R003
PGAD-R004
PGAD-R014
PGAD-R022

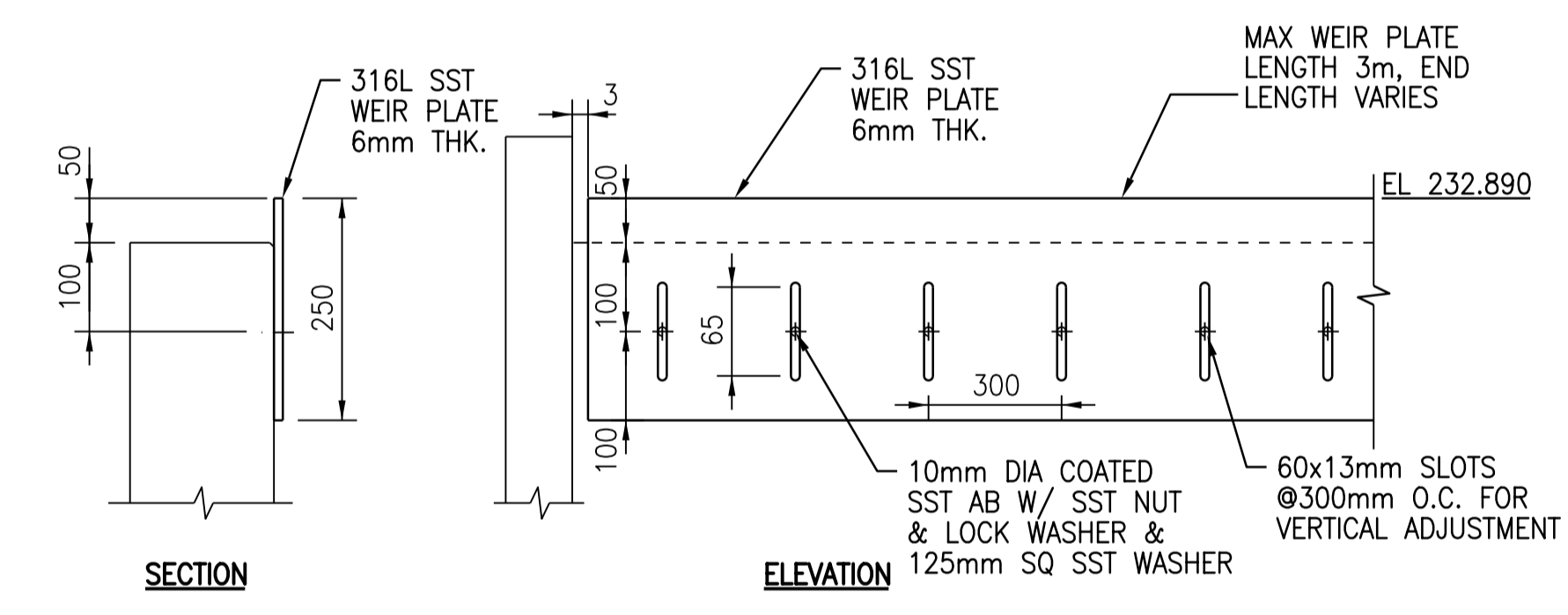
APEGM
Certificate of Authorization
CH2M HILL Canada Ltd.
No. 1441



4 WEIR PLATE DETAIL ANOXIC ZONE
NTS
PGAD-R006
PGAD-R007
PGAD-R008
PGAD-R015
PGAD-R016
NOTE:
1. WEIR PLATE SHOULD RUN ALONG ENTIRE LENGTH OF OPENING (BOTH SIDES).



5 WEIR PLATE DETAIL POST AEROBIC ZONE (CONCRETE TROUGH)
NTS
PGAD-R006
PGAD-R007
PGAD-R008
PGAD-R015
PGAD-R016
PGAD-R023



6 STRAIGHT EDGE WEIR PLATE DETAIL POST AEROBIC ZONE
NTS
PGAD-R006
PGAD-R007
PGAD-R008
PGAD-R023
NOTES:
1. ALL PARTS INCLUDING FASTENERS TO BE 316L STAINLESS STEEL (SST).
2. STEEL TROWEL TOP OF CONCRETE WALL TO OBTAIN SMOOTH, DENSE FINISH.
3. PROVIDE CONTINUOUS GASKET AND SEALANT BETWEEN WEIR PLATE AND CONCRETE WALL OR TROUGH AS SPECIFIED.
WEIR ELEVATION IN ANOXIC ZONE = EL 232.750M
WEIR ELEVATION IN POST AEROBIC ZONE (TROUGH) = EL 232.900M
WEIR ELEVATION IN POST AEROBIC ZONE = EL 232.890M

WEIR DETAILS
NTS

NO.	REVISIONS	DATE	DESIGN	CHECK
00	ISSUED FOR ADD. 2 - B.O. 899-2015	02/2016	B.C.	J.C.

CH2MHILL
SNC-LAVALIN
DESIGNED BY: F. ABSI
DRAWN BY: B. COOPER
SCALE: AS SHOWN
DATE: 2016/01/29
CONSULTANT NO.: 474248

ENGINEER'S SEAL
20/02/2016
PROVINCE OF MANITOBA
REGISTERED PROFESSIONAL ENGINEER
F. J. ABSI
Member
36875

THE CITY OF WINNIPEG
Winnipeg WATER AND WASTE DEPARTMENT
SOUTH END WATER POLLUTION CONTROL CENTRE
SEWPC UPGRADING/EXPANSION PROJECT
PROCESS
BIOREACTORS/BLOWER BUILDING
DETAILS (1)
CITY DRAWING NUMBER: 1-0102-PDTL-R001
SHEET: 001
REV: 00
SIZE: A1