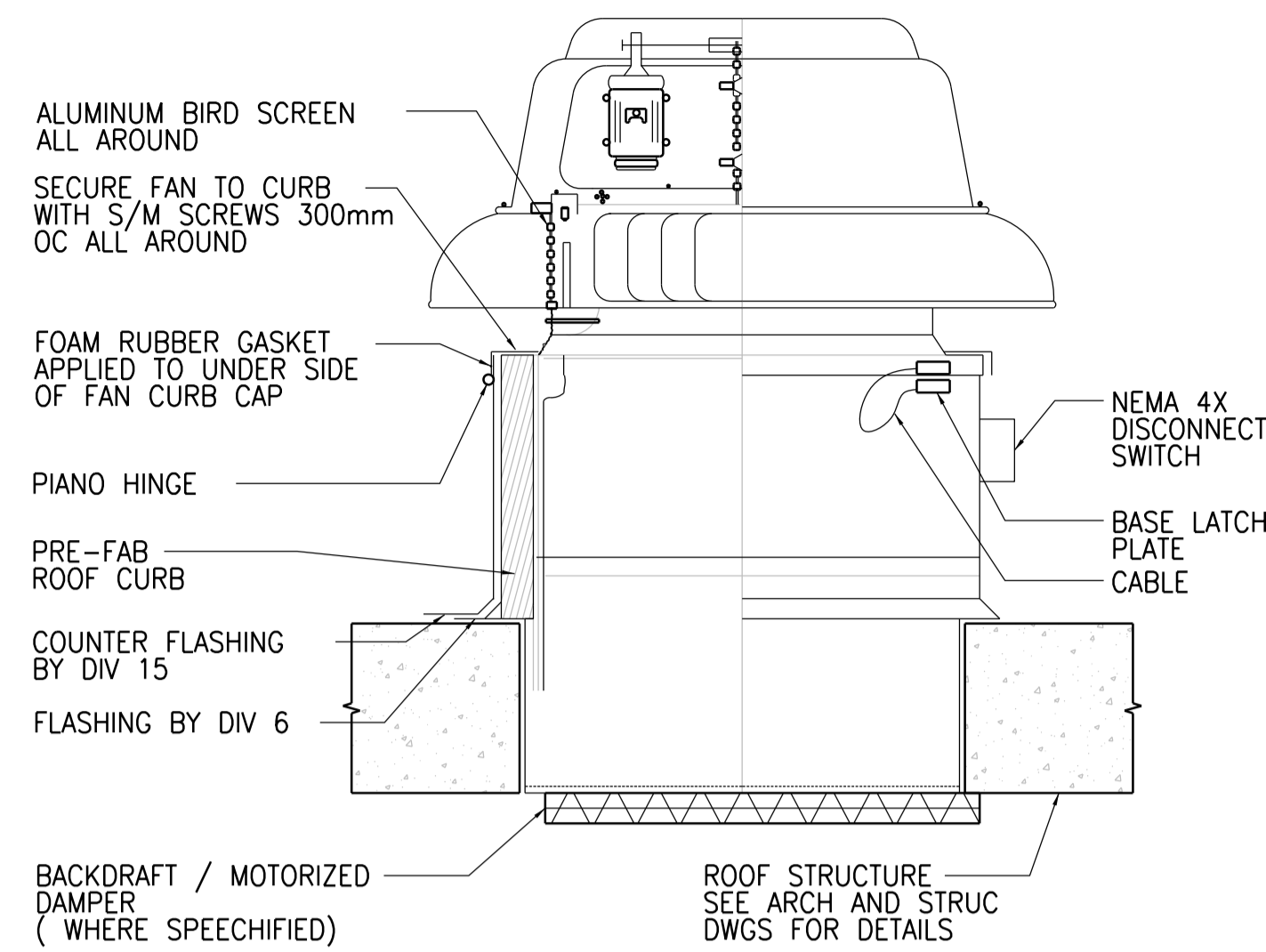


NOTES:  
1. FLOOR PENETRATION SIMILAR.

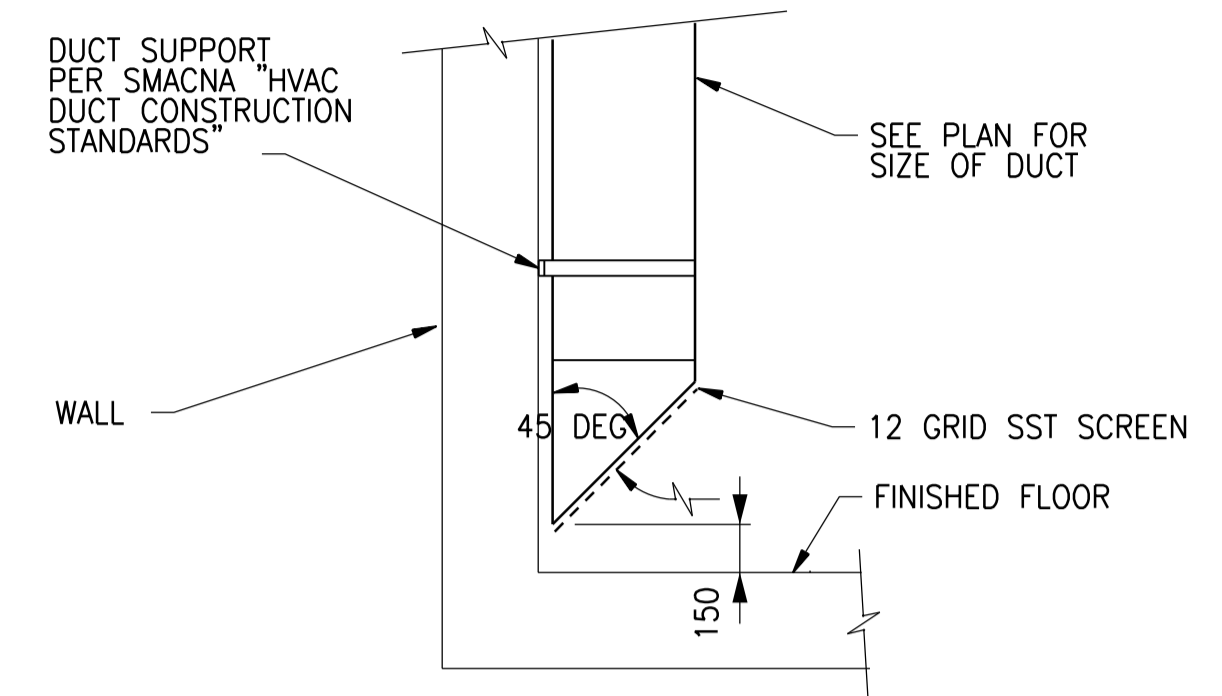
**DUCT WALL/ROOF PENETRATION, FIRE-DAMPENED OPENING**  
NTS

2333-808



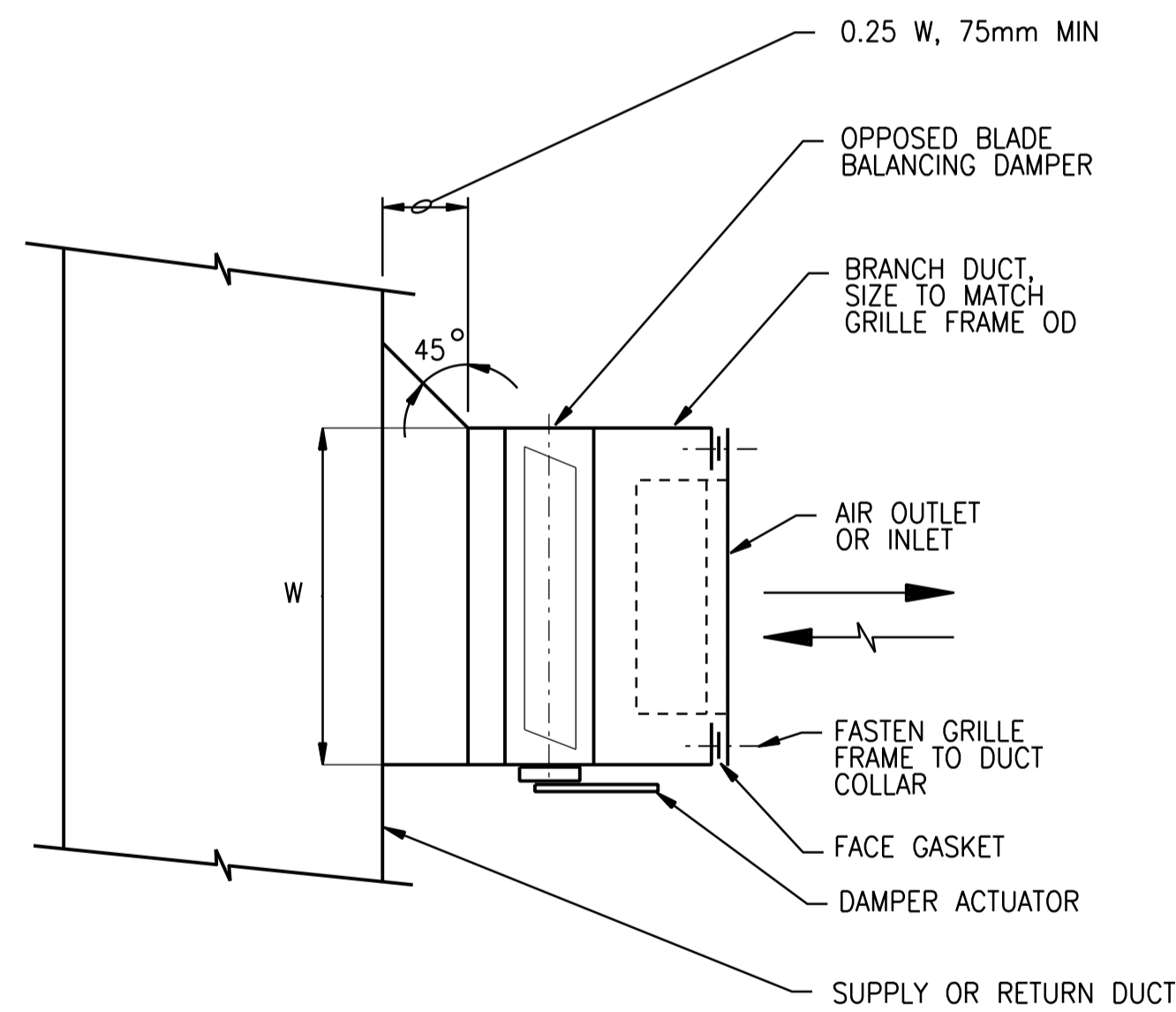
**DUCTED ROOF MOUNTED FAN**  
NTS

2334-300



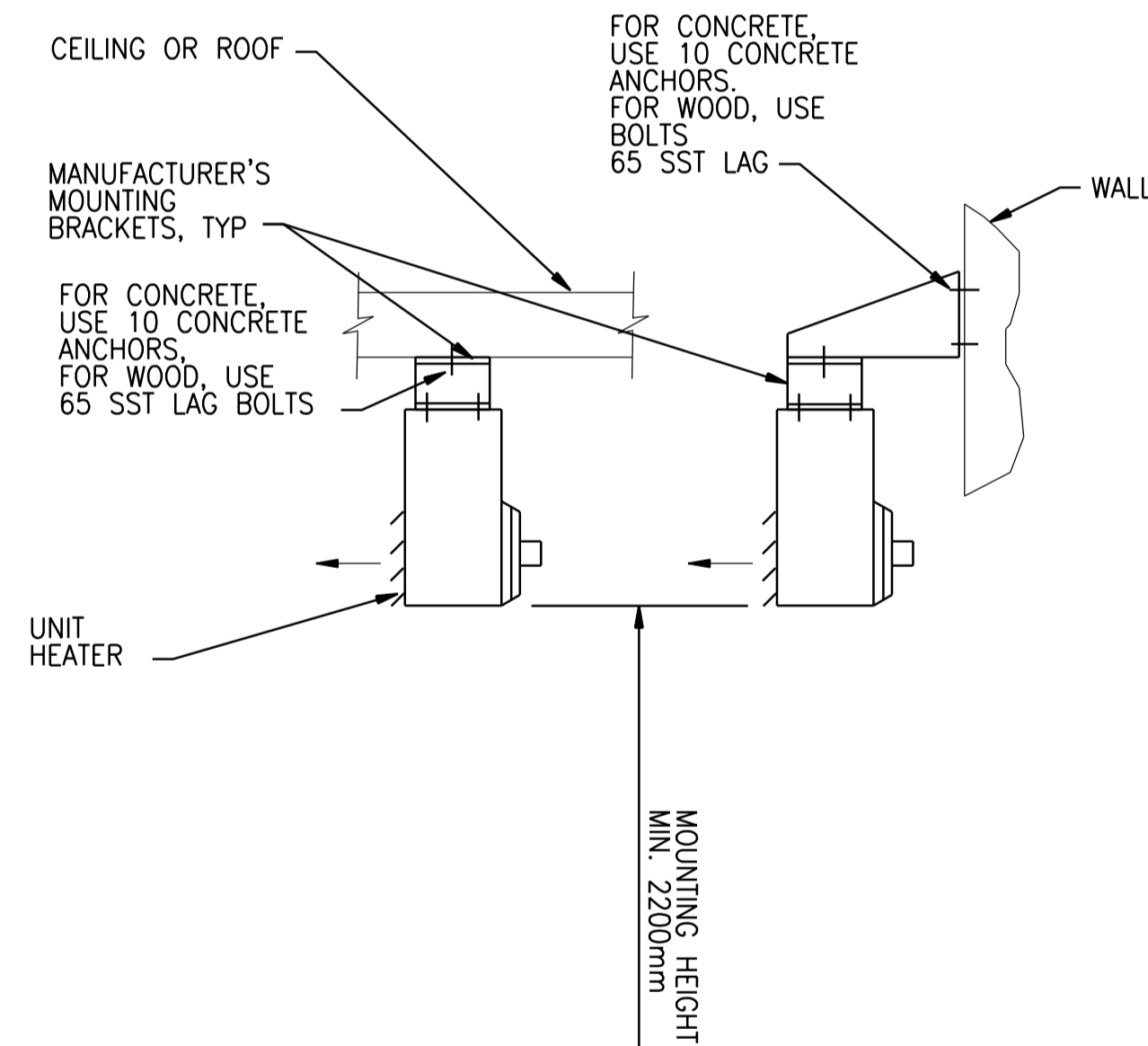
**FLOOR EXHAUST DUCT**  
NTS

2337-805



**DUCT MOUNTED AIR OUTLET OR INLET**  
NTS

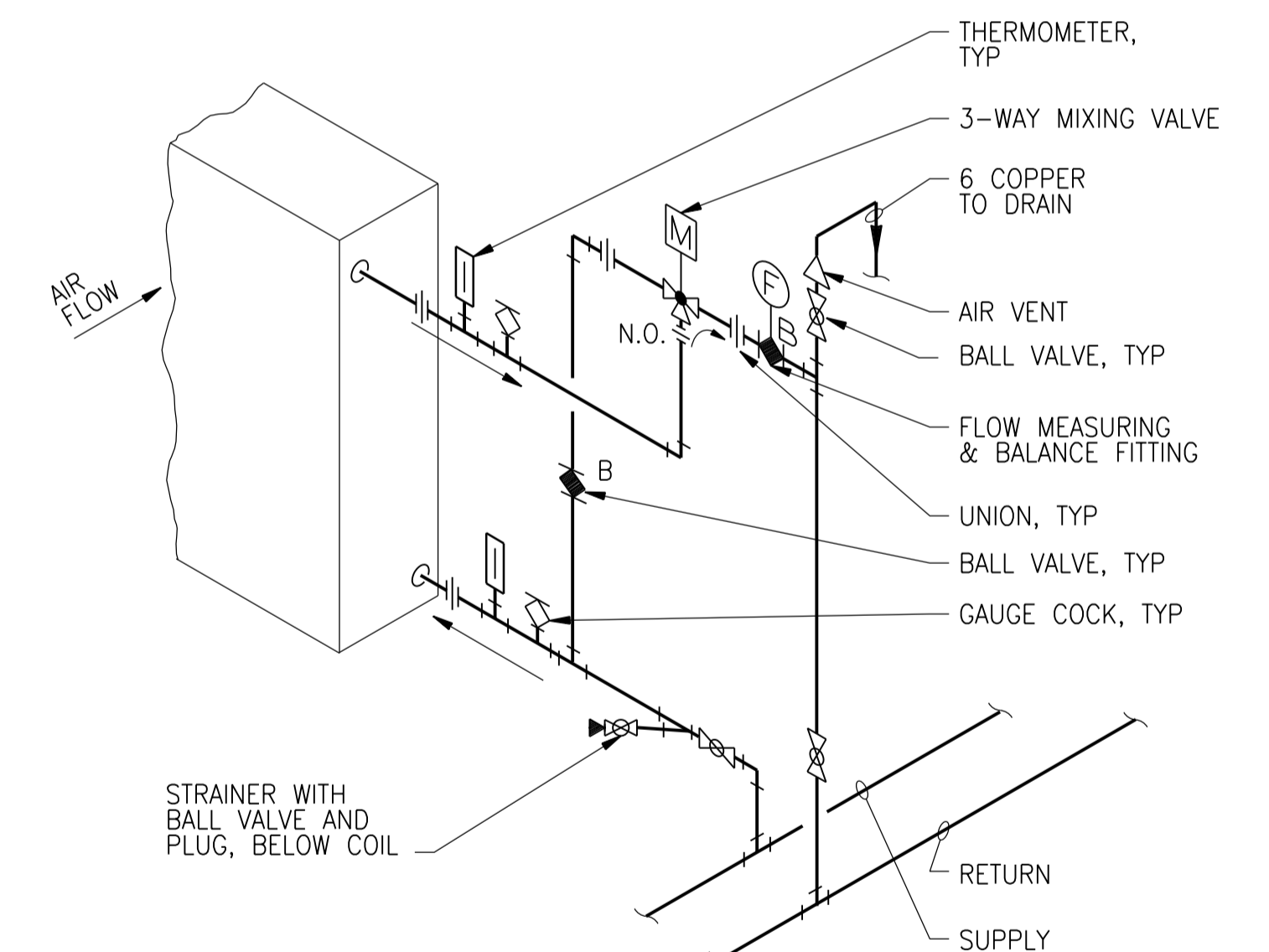
2337-809



NOTES:  
1. USE THREADED HANGER RODS ONLY WHERE MANUFACTURER'S MOUNTING BRACKETS ARE NOT PRACTICAL.

**UNIT HEATER MOUNTING**  
NTS

2380-427



NOTES:  
1. DETAIL GIVES REQUIRED SEQUENCE OF EQUIPMENT AND VALVES. PIPING ARRANGEMENT MAY VARY TO SUIT FIELD REQUIREMENTS. PIPE COIL FOR COUNTER FLOW WITH AIR.

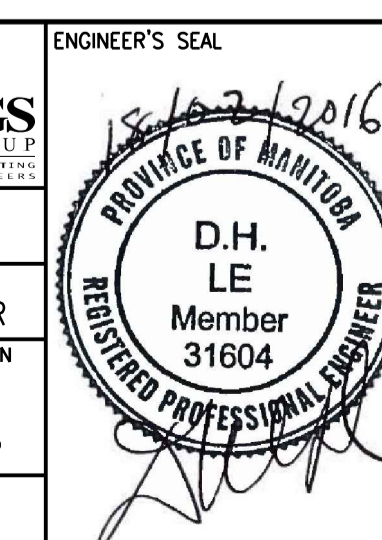
**HEATING COIL CONNECTION**  
NTS

2380-432



00	ISSUED FOR ADD. 1 - B.O.899-2015	02/2016	K.F.	J.C.
NO.	REVISIONS	DATE	DESIGN	CHECK

<b>CH2MHILL</b>		<b>KCS GROUP</b>	
SNC-LAVALIN			
DESIGNED BY: D. LE	CHECKED BY: T. TRAN	ISSUED FOR CONSTRUCTION	
DRAWN BY: K. FONG	APPROVED BY: H.T. FREIHAMMER	BY: T. TURZAK	
SCALE: NTS	DATE: 2016/02/18	DATE: 2016/02/18	
CONSULTANT NO.: 474248			



<b>THE CITY OF WINNIPEG</b> WATER AND WASTE DEPARTMENT		
SOUTH END WATER POLLUTION CONTROL CENTRE SEWPPC UPGRADING/EXPANSION PROJECT		
MECHANICAL HVAC STANDARD DETAILS (3)		
CITY DRAWING NUMBER 1-0102-MDTL-A007	SHEET 00	REV. SIZE A1