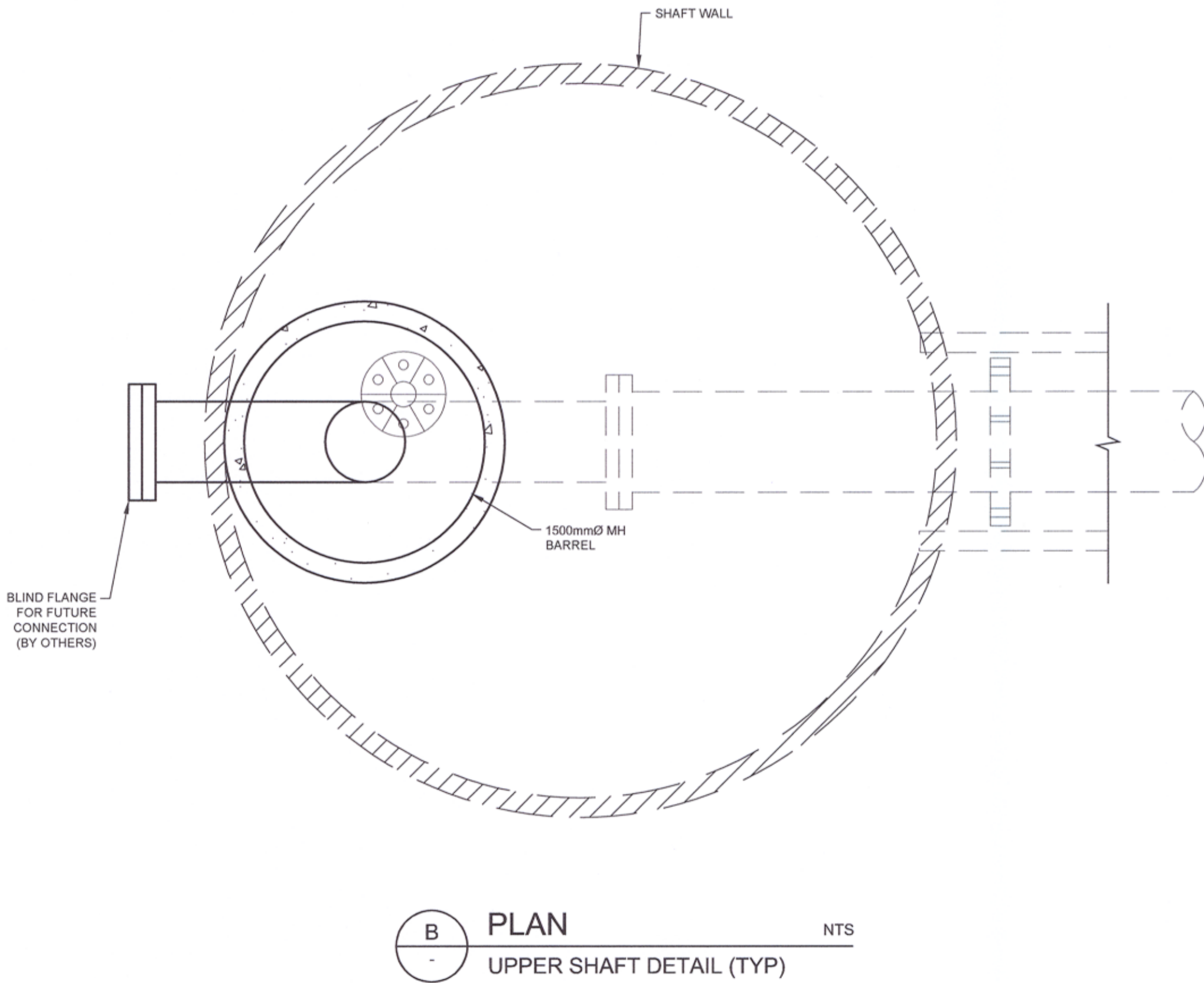
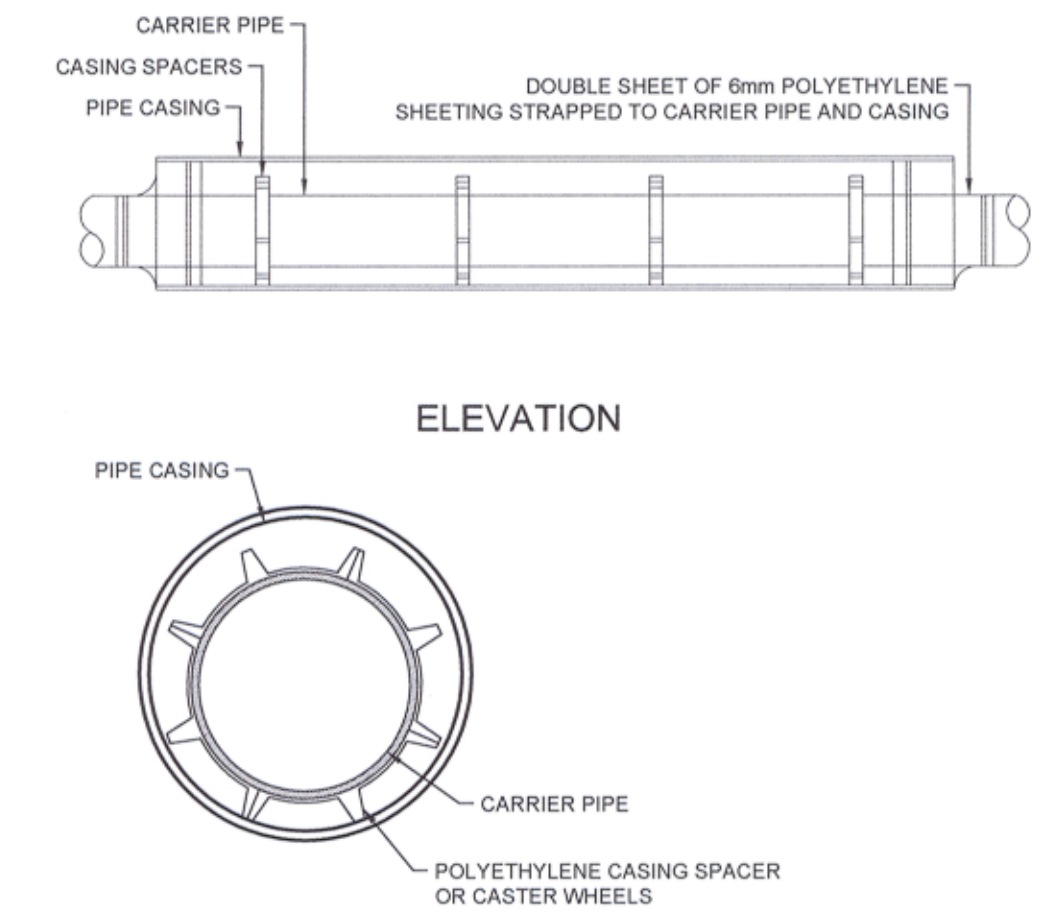


A SECTION N.T.S.
SHAFT DETAIL (TYP)

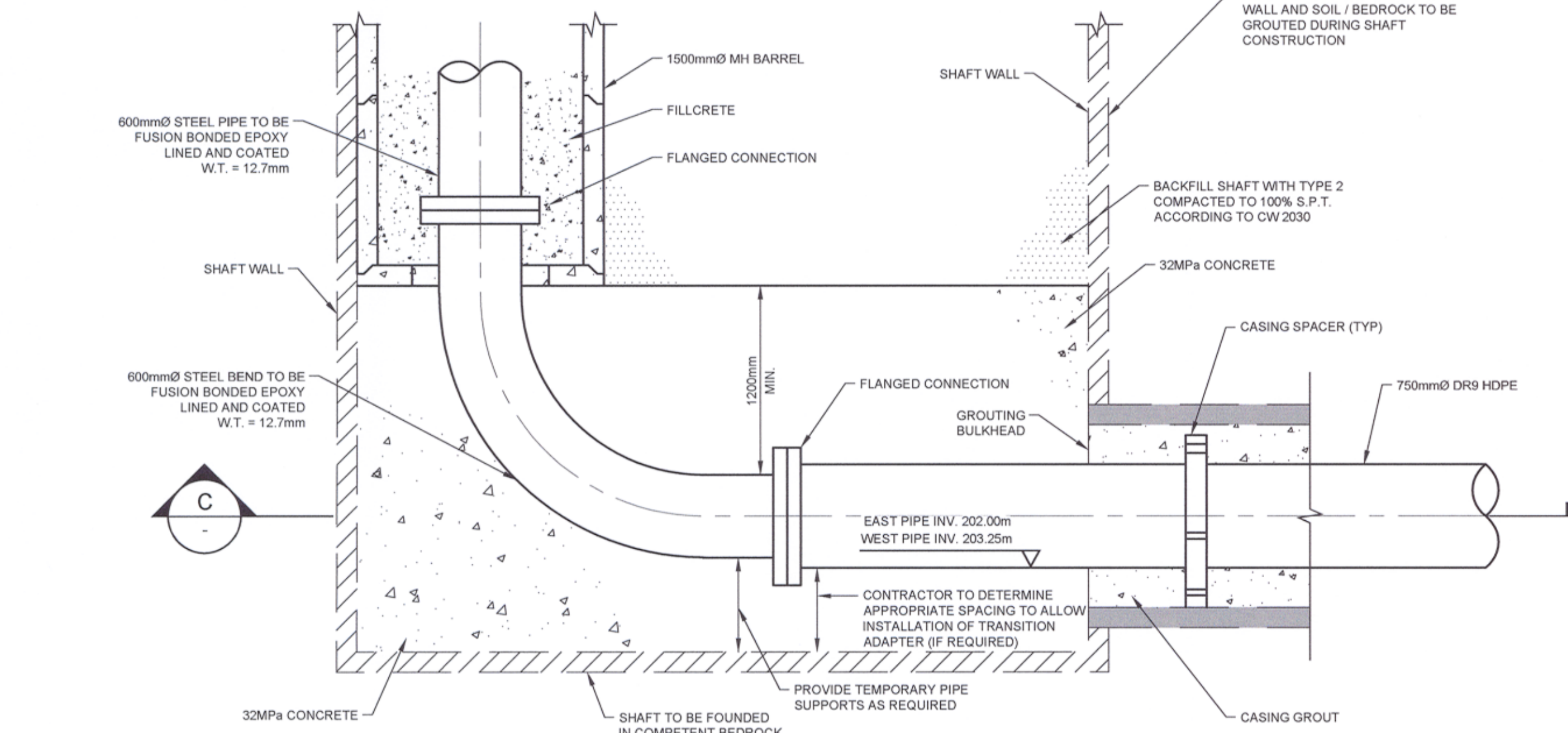


B PLAN N.T.S.
UPPER SHAFT DETAIL (TYP)



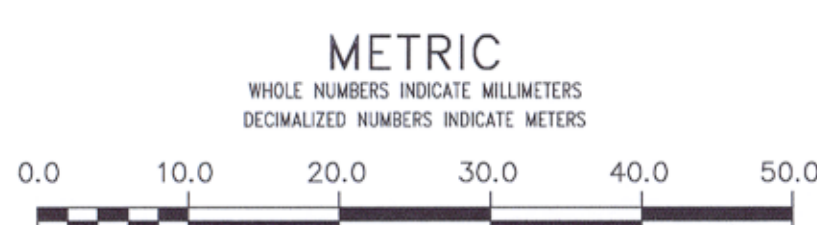
- NOTES:**
1. ALL DIMENSIONS ARE IN MILLIMETRES UNLESS OTHERWISE SPECIFIED.
 2. CASING MATERIAL AND THICKNESS TO BE DETERMINED BY CONTRACTOR.
 3. CASING SPACER TO BE DETERMINED BY THE MATERIAL AND JOINT TYPE OF CARRIER PIPE BEING USED.
 4. CASING COATING AND CATHODIC PROTECTION REQUIREMENTS TO BE DESIGNED BY CONTRACTOR IF REQUIRED.
 5. CONTRACTOR TO SUBMIT SHOP DRAWING FOR REVIEW OF SPACER DETAILS.

D DETAIL N.T.S.
CASING PIPE WITH INSULATOR



C PLAN N.T.S.
LOWER SHAFT DETAIL (TYP)

- NOTES:**
1. CONTRACTOR RESPONSIBLE FOR THE DESIGN OF ALL TEMPORARY WORKING SHAFTS. CONTRACTOR TO SUBMIT SHAFT DESIGN DRAWING SEALED BY AN ENGINEER REGISTERED IN THE PROVINCE OF MANITOBA FOR APPROVAL PRIOR TO CONSTRUCTION.
 2. CONTRACTOR SHALL PROTECT EXISTING FEEDERMAIN AND ALL OTHER UTILITIES AND INFRASTRUCTURE FROM DAMAGE.
 3. CONTRACTOR'S GROUTING PLAN SHALL BE STAGED TO ALLOW PRESSURE TEST OF CARRIER PIPE SEGMENTS PRIOR TO GROUTING AND BACKFILL. CARRIER PIPES MAY NOT BE GROUTED WITHOUT CONFIRMATION OF SUCCESSFUL PRESSURE TEST.
 4. HDPE PIPE WILL BE FILLED WITH WATER DURING ANY GROUT INSTALLATION. HDPE PIPE WILL BE PRESSURIZED DURING GROUTING TO A PRESSURE THAT IS EQUAL TO OR EXCEEDS THE EXPECTED GROUTING PRESSURE. PRESSURE TO BE HELD UNTIL GROUT IS CURED.
 5. CARRIER PIPE MUST BE RESTRAINED FROM FLOATING DURING GROUT INSTALLATION.
 6. GROUT DESIGN MUST CONSIDER HEAT OF HYDRATION DURING CURE SO THAT THE CARRIER PIPE IS NOT DAMAGED. CONTRACTOR SHALL SUBMIT GROUTING PLAN THAT ACCOUNTS FOR HEAT DEVELOPED DURING CURE.



WARNING

IF POWER EQUIPMENT OR EXPLOSIVES ARE TO BE USED FOR EXCAVATION ON THIS PROJECT THE CONTRACTOR MUST:

- 1) NOTIFY THE GAS COMPANY OF THE PROPOSED LOCATION OF EXCAVATION.
- 2) TAKE PRECAUTION TO AVOID DAMAGE TO GAS COMPANY INSTALLATIONS.

SEE PROVINCIAL REGULATION 210/72 FOR DETAILS

LOCATION APPROVED UNDERGROUND STRUCTURES

SUPV. U/G STRUCTURES COMMITTEE DATE

NOTE:

LOCATION OF UNDERGROUND STRUCTURES AS SHOWN ARE BASED ON THE BEST INFORMATION AVAILABLE BUT NO GUARANTEE IS GIVEN THAT ALL EXISTING UTILITIES ARE SHOWN OR THAT THE GIVEN LOCATIONS ARE EXACT. CONFIRMATION OF EXISTENCE AND EXACT LOCATION OF ALL SERVICES MUST BE OBTAINED FROM THE INDIVIDUAL UTILITIES BEFORE PROCEEDING WITH CONSTRUCTION.

B.M. ELEV.	
CONSTRUCTION COMPLETION DATE: YYYY MM DD	
DESIGNED BY	CL
CHECKED BY	JL
DRAWN BY	KG
APPROVED BY	JL
SCALE:	
HORIZONTAL AS SHOWN	
VERTICAL AS SHOWN	
DATE	2015 02 20
RELEASED FOR CONSTRUCTION	
DATE	
ISSUED FOR TENDER	15-FEB-20 KG
NO.	REVISIONS
DATE	BY

Associated Engineering

ENGINEER'S SEAL

PROVINCE OF MANITOBA REGISTERED PROFESSIONAL ENGINEER

J.S. LUEKE
Member 36827

CONSULTANT DRAWING NUMBER: 20134376

THE CITY OF WINNIPEG

WATER AND WASTE DEPARTMENT
ENGINEERING DIVISION

NORTH KILDONAN FEEDERMAIN

MICROTUNNELLING DETAILS

SHEET 4 OF 4
CITY DRAWING NUMBER
D-13762