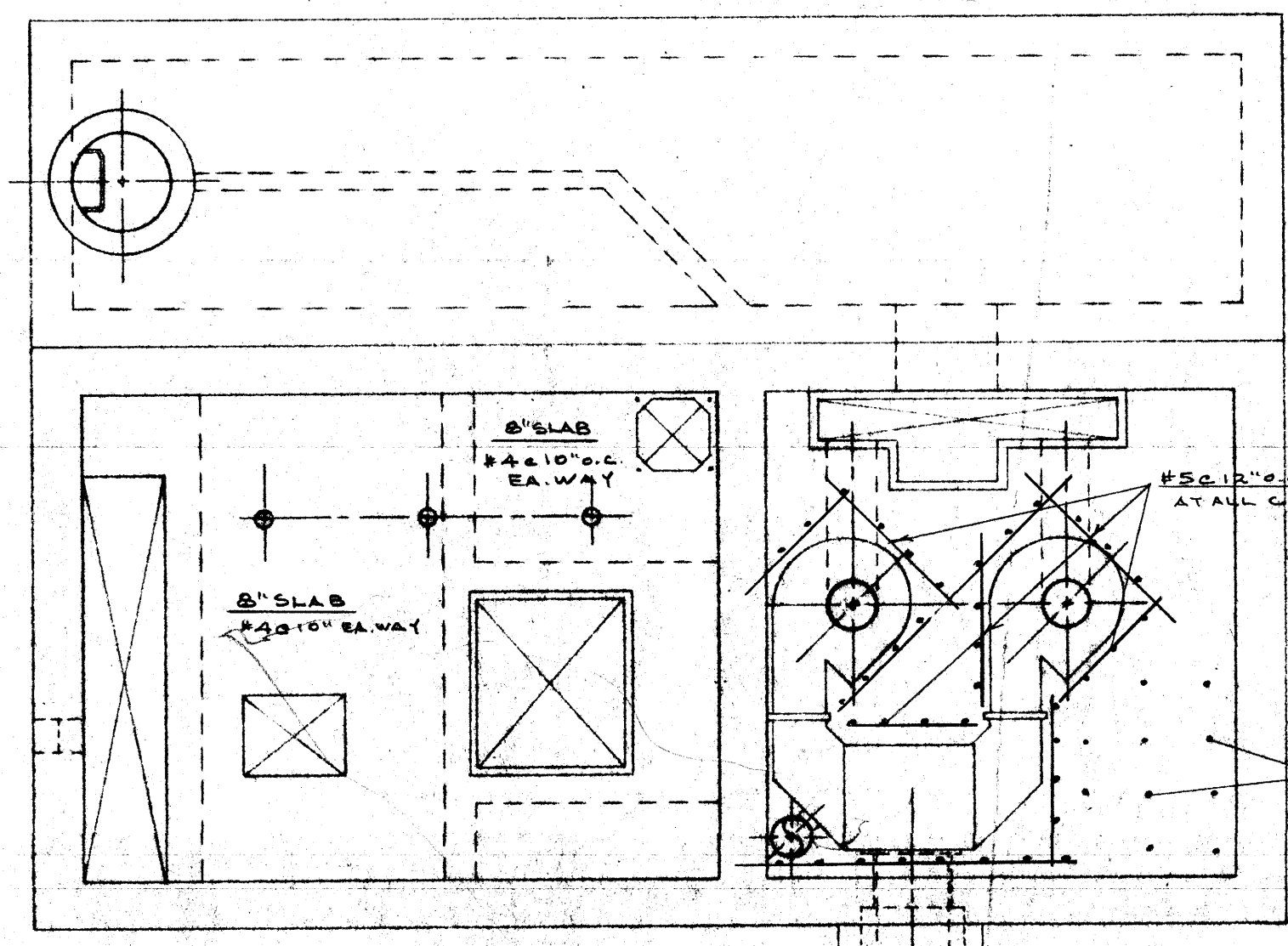
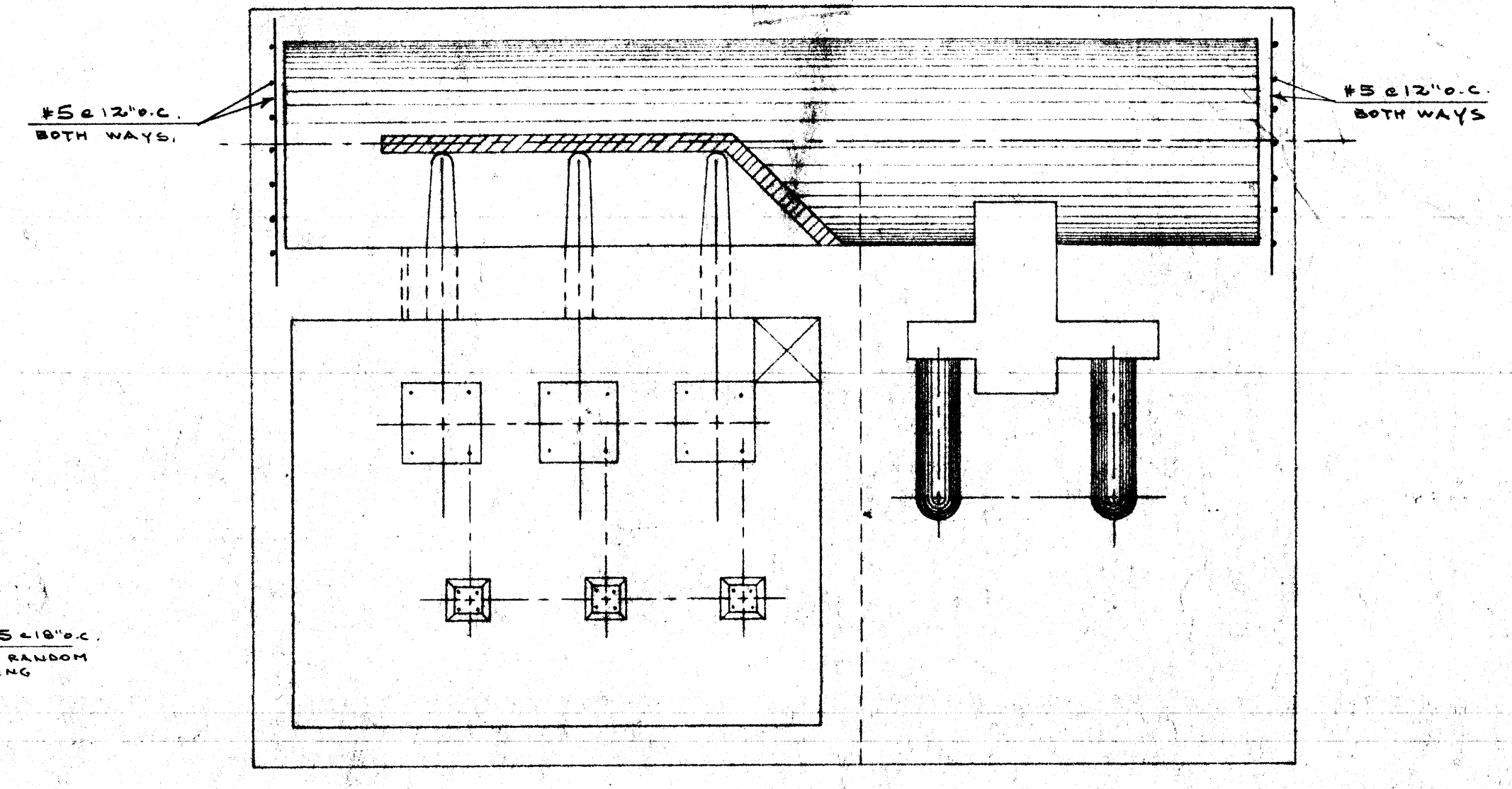


PLAN OF COMM. MOTOR RM. FL.



PLAN OF PUMP MOTOR RM. & COMM. CHAMBER FL.



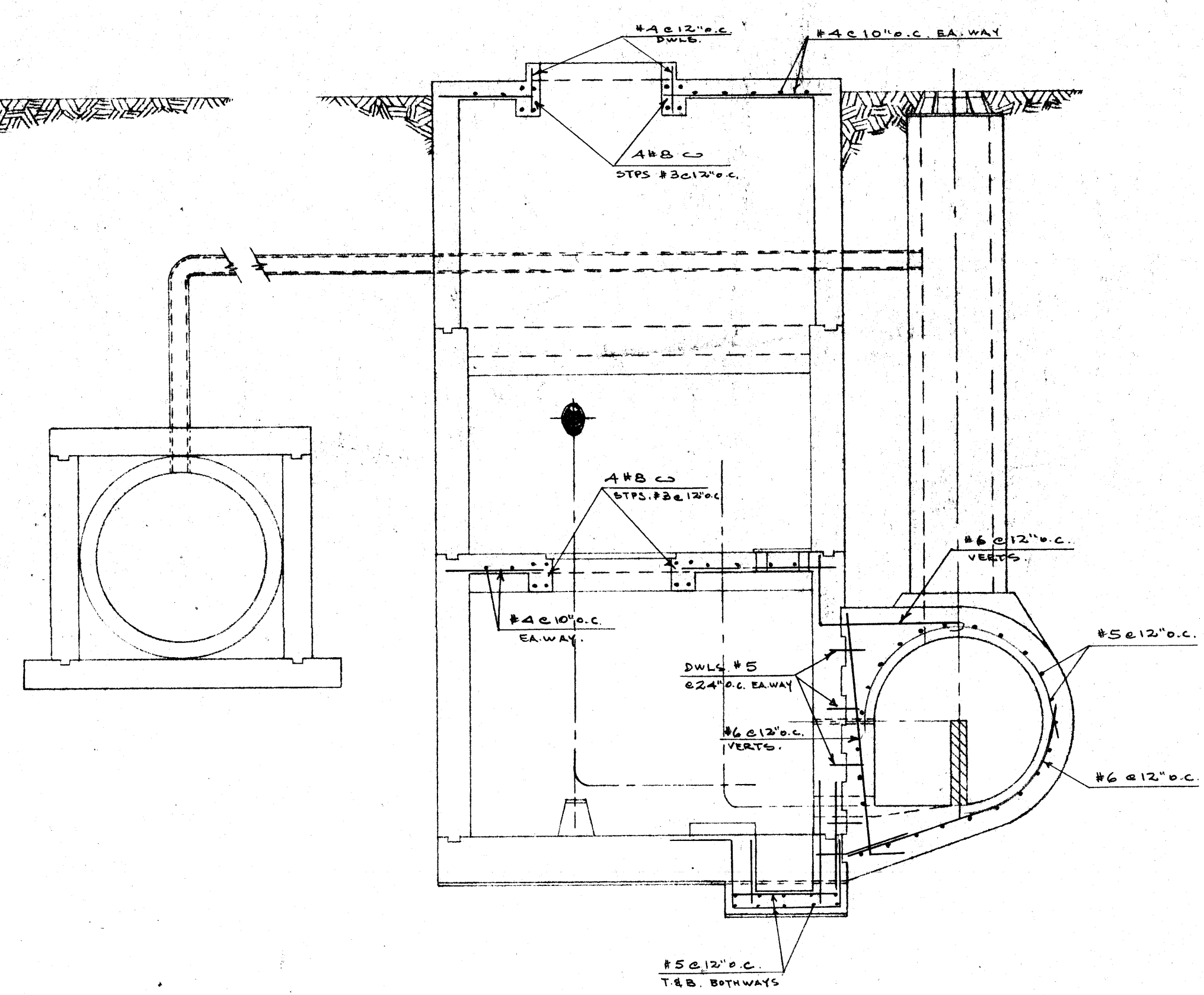
PLAN OF SUMP, PUMP CHAMBER & COMM. DISCHARGE

File # 1007
581007

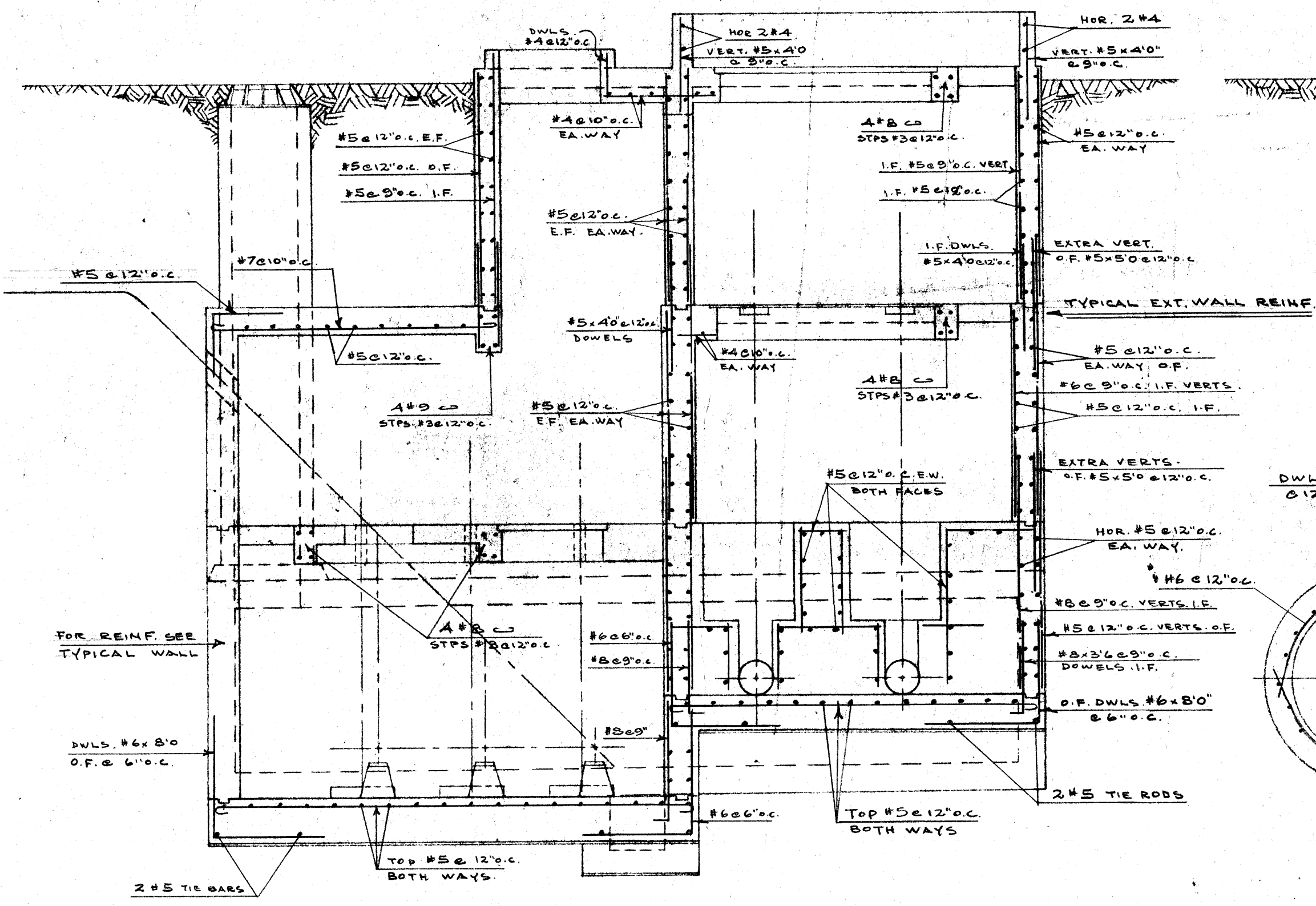
332

REF. or DRAWING NO.

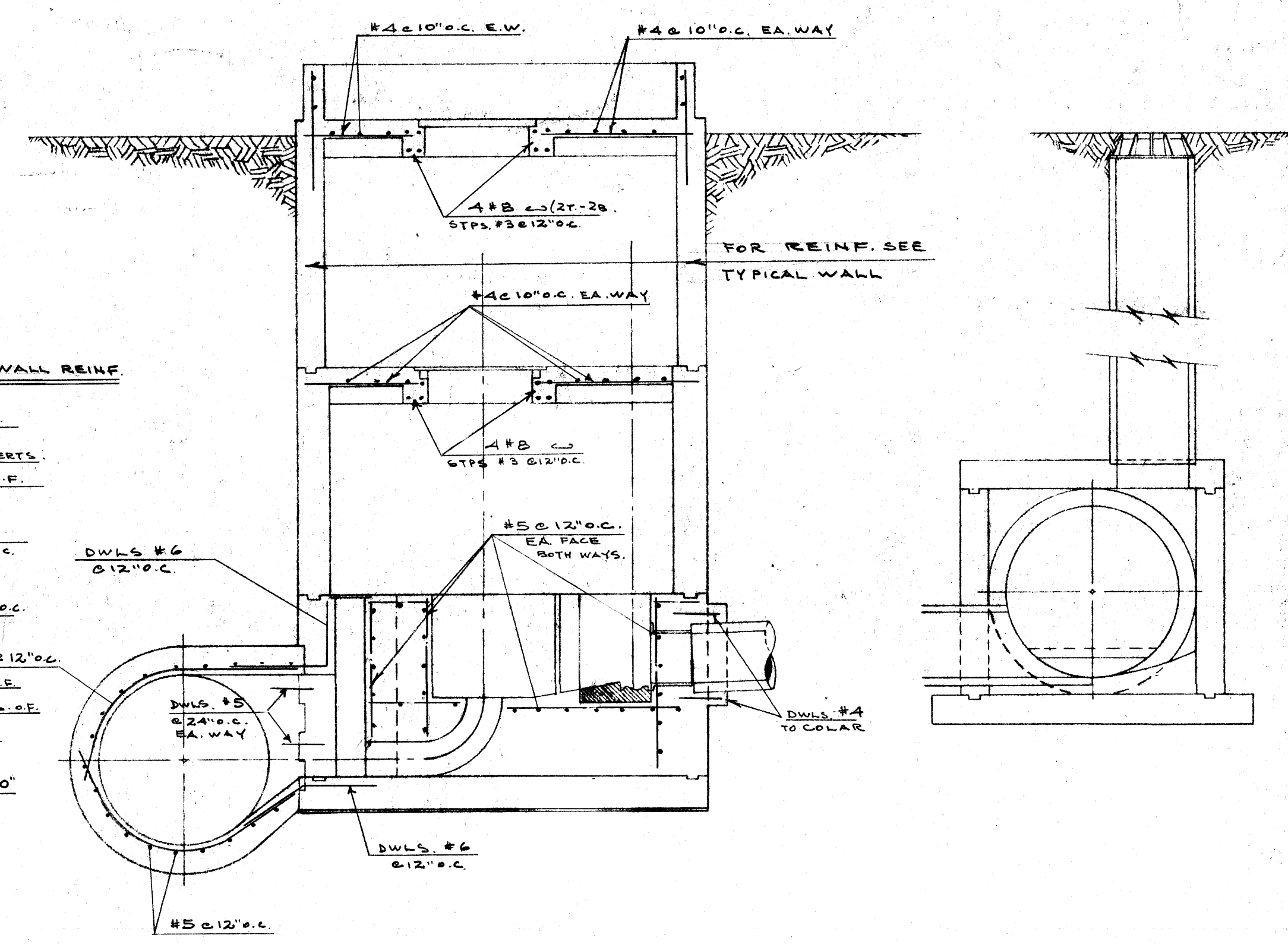
DETAILS



X-SEC. THRU PUMP CHAMBER
LOOKING EAST

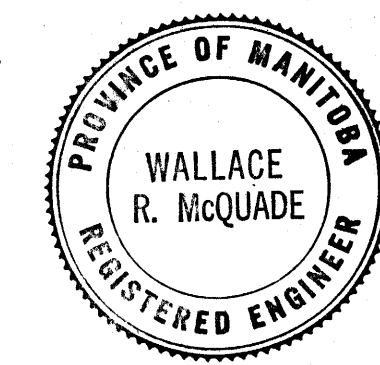


LONGITUDINAL SEC.
LOOKING SOUTH



X-SEC. THRU COMM. CHAMBER
LOOKING WEST

Micro-filmed 1965



COWIN & CO. LTD.
REINFORCED CONCRETE ENGINEERS
WINNIPEG, MAN.

REVISIONS		
NO.	DESCRIPTION	DATE BY

GREATER WINNIPEG SANITARY DISTRICT
SECONDARY SEWERS

TITLE:
HAWTHORNE COMM. & PUMP STA.
REINFORCING DETAILS

APPROVED BY Supt. <i>W.S. Gribble</i> CHIEF ENGINEER	DESIGNED BY COWIN & CO. DRAWN BY SK	CHECKED BY GEB DATE 6 NOV 59 SCALE 1/4" = 1'-0"	DRAWING NO. 332
--	--	--	---------------------------