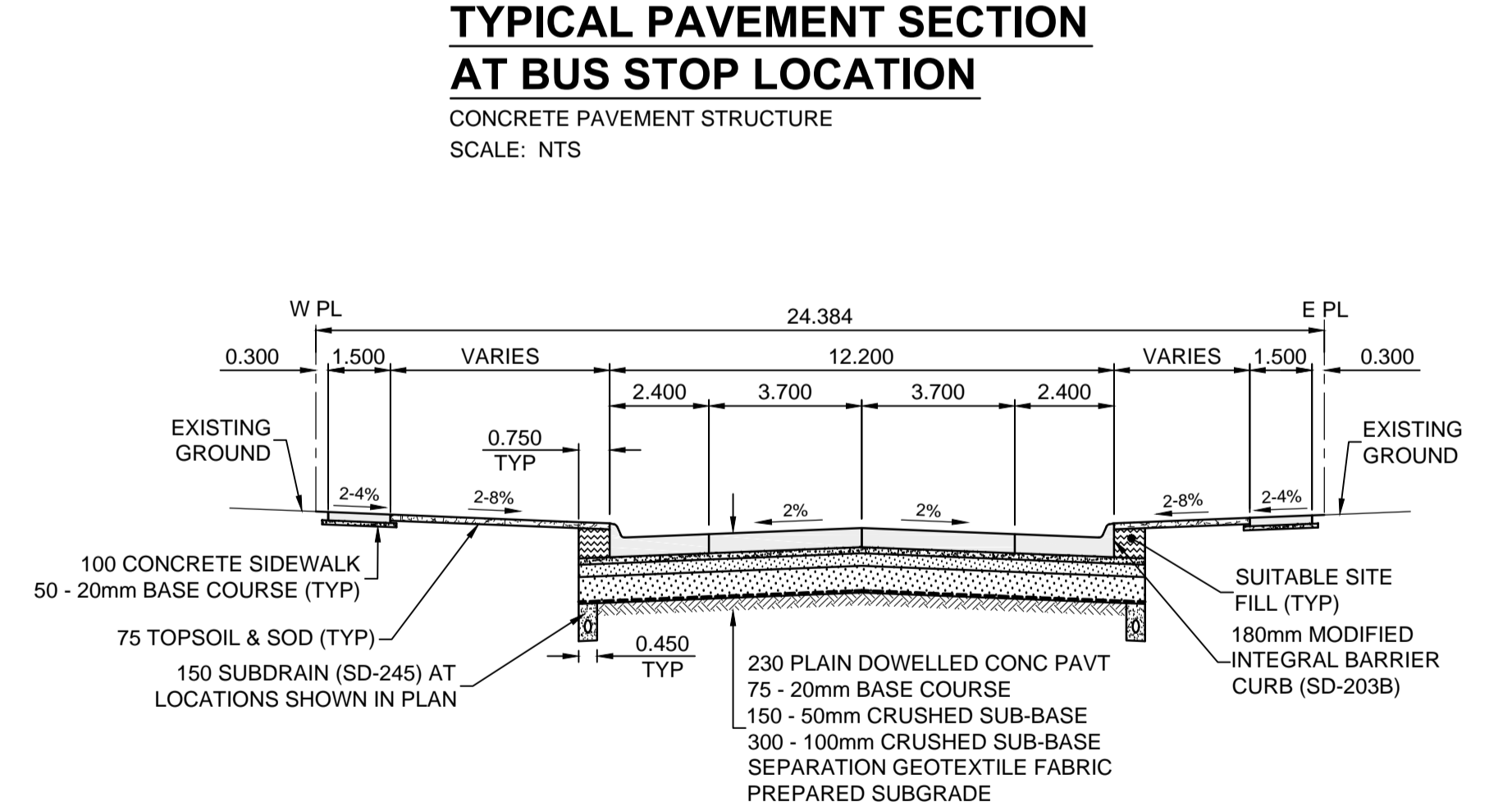
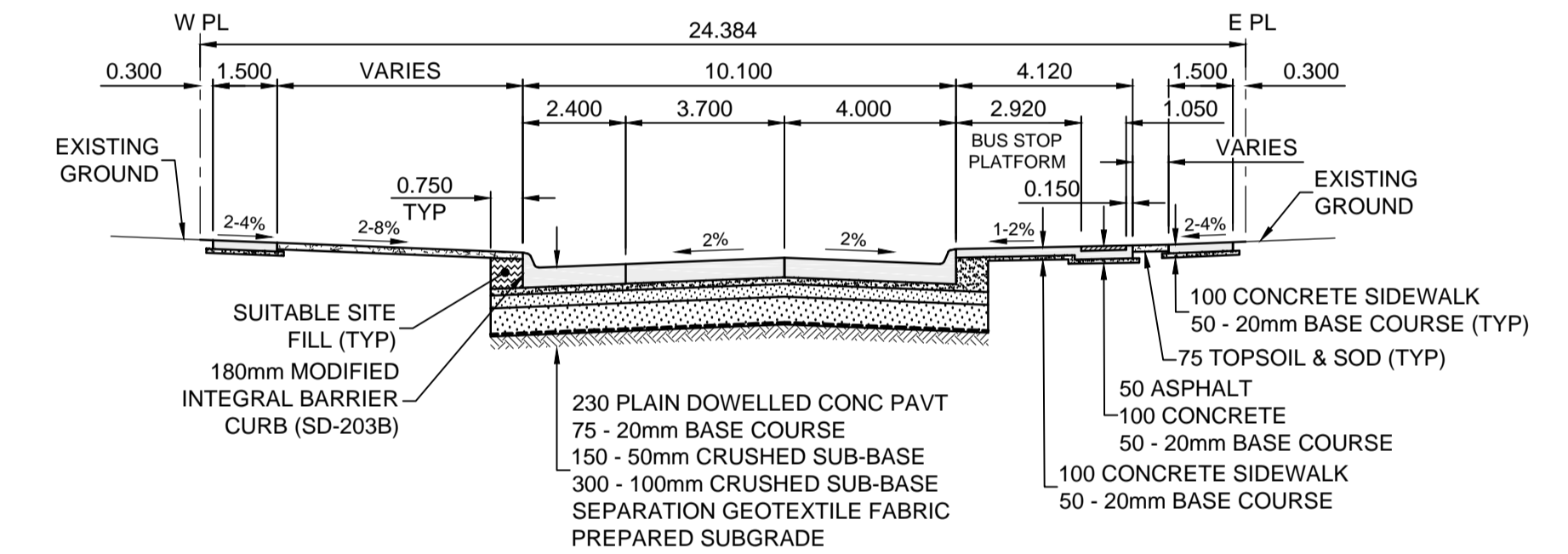
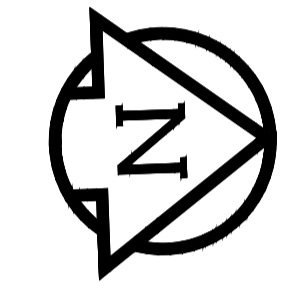
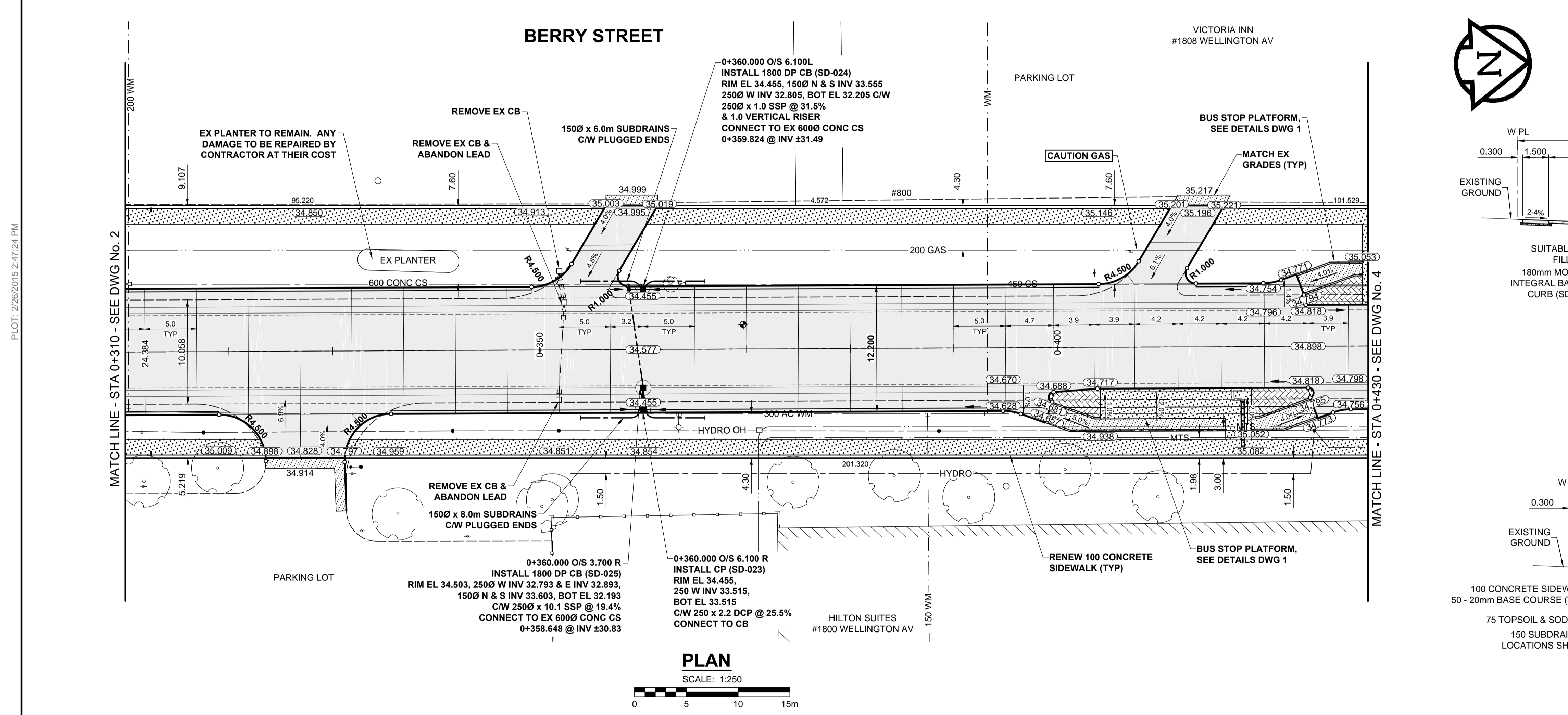


- NOTES**
- ADJUST MH AND CB RIMS TO NEW GRADES.
  - LAMP STANDARDS, HYDRO POLES, AND ANCHORS THAT REQUIRE TEMPORARY SUPPORT, REMOVAL OR REPLACEMENT, TO BE DONE SO AT THE EXPENSE OF THE CONTRACTOR AS NECESSARY.
  - CONTRACTOR TO REGRADE/RENEW EXISTING PRIVATE SIDEWALKS TO LIMITS AS SHOWN. SIDEWALKS TO BE RENEWED WITH CONCRETE UNLESS NOTED OTHERWISE.
  - CONTRACTOR TO TAKE PRECAUTIONARY STEPS TO PROTECT EXISTING TREES WITHIN THE LIMITS OF CONSTRUCTION FROM DAMAGE FROM CONSTRUCTION ACTIVITIES AS OUTLINED IN THE SPECIFICATIONS.
  - CONTRACTOR TO CONFIRM THE LOCATION OF ALL UTILITIES/SERVICES IN THE FIELD PRIOR TO CONSTRUCTION.
  - IN GENERAL, PAVEMENT AND SIDEWALK AREAS TO BE REMOVED, MATCH RECONSTRUCTION LIMITS.
  - CB SD-024 OFFSETS ARE DIMENSIONED TO BOC. CB SD-025 OFFSETS ARE DIMENSIONED O/C.
  - REFER TO SPECIFICATIONS FOR STAGING REQUIREMENTS.
  - MODIFIED BARRIER CURB & GUTTER INLET FRAME & COVER TF-122.
  - ADD 200.000m TO ABBREVIATED ELEVATIONS TO OBTAIN GEODETIC ELEVATIONS.



**METRIC**  
WHOLE NUMBERS INDICATE MILLIMETRES  
DECIMALIZED NUMBERS INDICATE METRES

EXISTING	LEGEND - PLAN	NEW	EXISTING	LEGEND - PLAN	NEW	EXISTING	LEGEND - PLAN	NEW
○	GAS	○	MANHOLE	●	CONCRETE PAVEMENT	▭	CONC SIDEWALK / MEDIAN	▭
□	MTS	□	CATCH BASIN / CATCH PIT	■	ASPHALT PAVEMENT	▭	PAVING STONE	▭
△	HYDRO	△	CURB INLET WITH BOX	▲	GRAVEL	▭	RAMP CURB	▭
—	CATV / FIBRE OPTIC	—	TREE	—	PLANING / REMOVAL	▭		
—	TRAFFIC SIGNALS / PIT	—	TEST HOLE	—				
—	LAND DRAINAGE SEWER	—	PROPERTY LINE	—				
—	SANITARY/COMBINED SEWER	—	SURVEY BAR	—				
—	SEWER SERV/DRAINAGE CONN	—	FENCE	—				
—	WATERMAIN	—	BOC / EDGE OF PAVEMENT	—				
—	SUBDRAIN	—	ELEVATION	—				
—	DITCH	—	TRAFFIC SIGN	—				

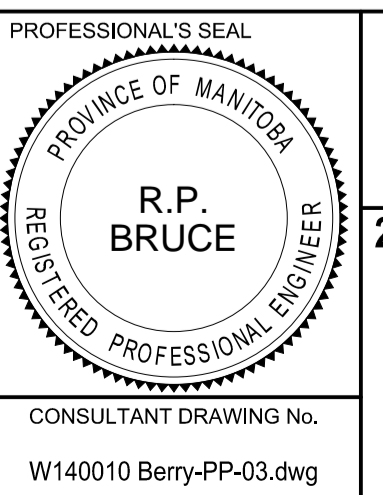
**LOCATION APPROVED UNDERGROUND STRUCTURES**

SUPR. U/G STRUCTURES DATE COMMITTEE

**NOTE:**  
LOCATION OF UNDERGROUND STRUCTURES AS SHOWN ARE BASED ON THE BEST INFORMATION AVAILABLE. BUT NO GUARANTEE IS GIVEN THAT ALL EXISTING UTILITIES ARE SHOWN OR THAT THE GIVEN LOCATIONS ARE EXACT. CONFIRMATION OF EXISTENCE AND EXACT LOCATION OF ALL SERVICES MUST BE OBTAINED FROM THE INDIVIDUAL UTILITIES BEFORE PROCEEDING WITH CONSTRUCTION.

B	ISSUED FOR TENDER	15/02/27	RPB
A	ISSUED FOR CLIENT REVIEW	15/02/02	RPB
No.	REVISIONS	YYMMDD	BY

<b>MORRISON HERSHFELD</b>	
DESIGNED BY	GFC
CHECKED BY	RPB, WRJ
DRAWN BY	DML
APPROVED BY	BWB
HOR. SCALE	1:250
VERT. SCALE	1:10
DATE	15/02/02

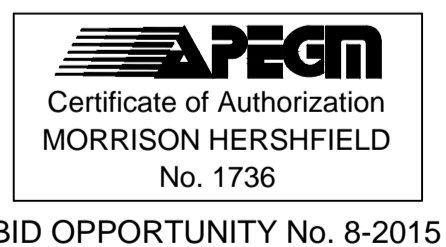


**THE CITY OF WINNIPEG**  
PUBLIC WORKS DEPARTMENT  
ENGINEERING DIVISION

**2015 LOCAL STREET & ALLEY RENEWAL PROGRAM**

**BERRY STREET**  
SARGENT AV TO WELLINGTON AV  
CONCRETE RECONSTRUCTION  
HORIZONTAL AND VERTICAL ALIGNMENT  
STA 0+310 TO STA 0+430

CITY DRAWING NUMBER: N/A  
SHEET 3 OF 14  
DRAWING No. 3  
REV B



BID OPPORTUNITY No. 8-2015