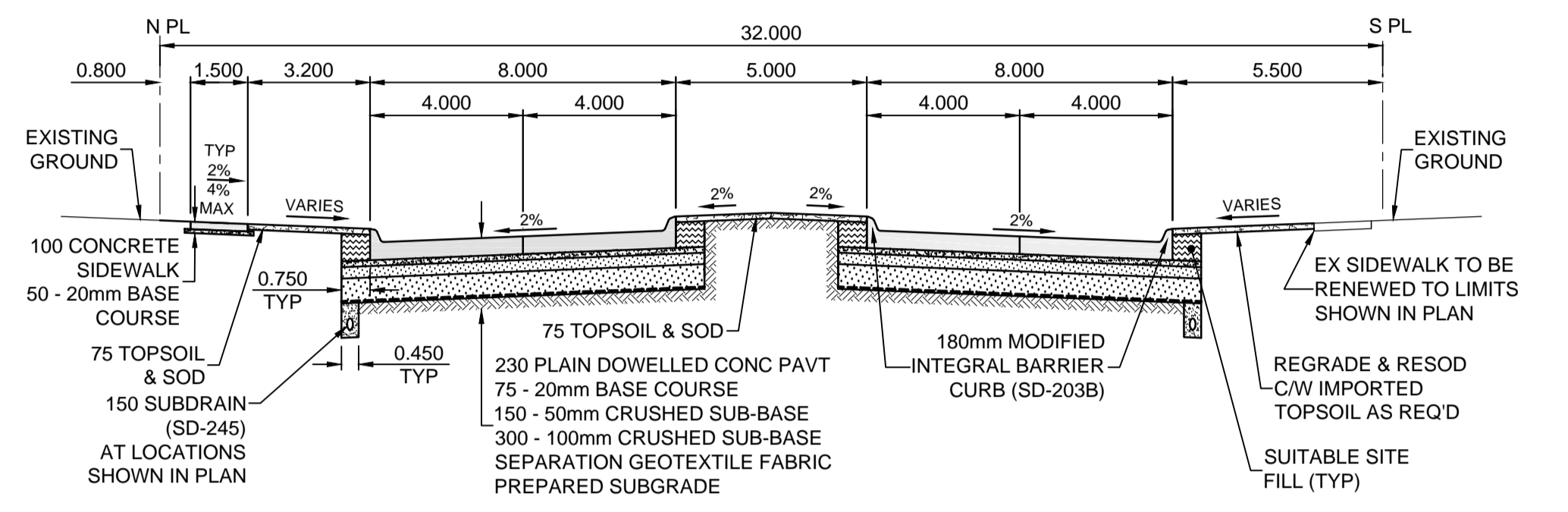
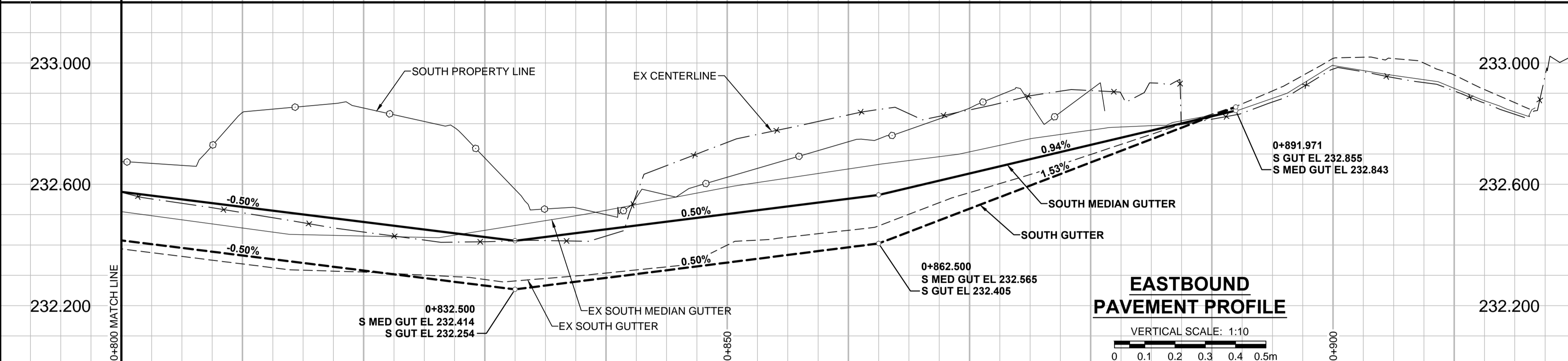
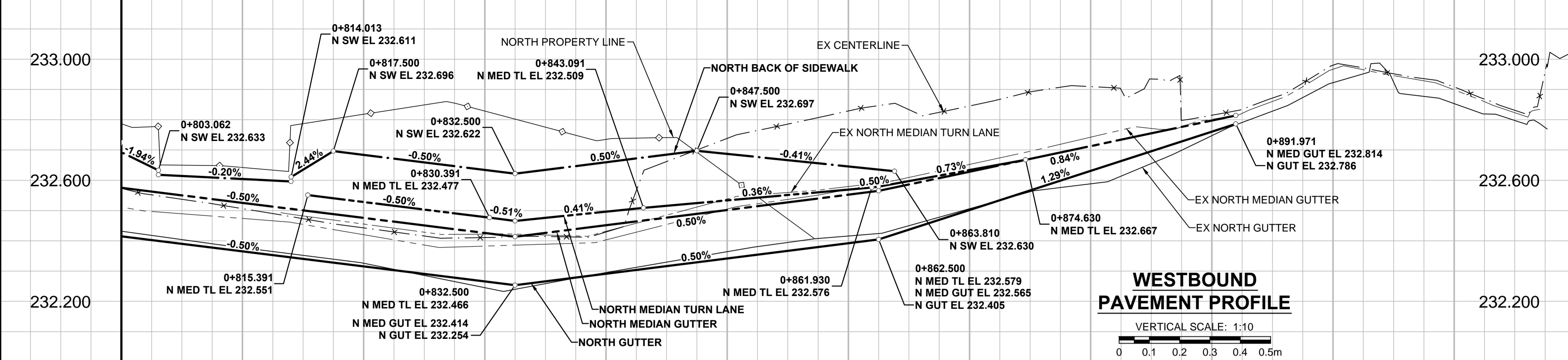
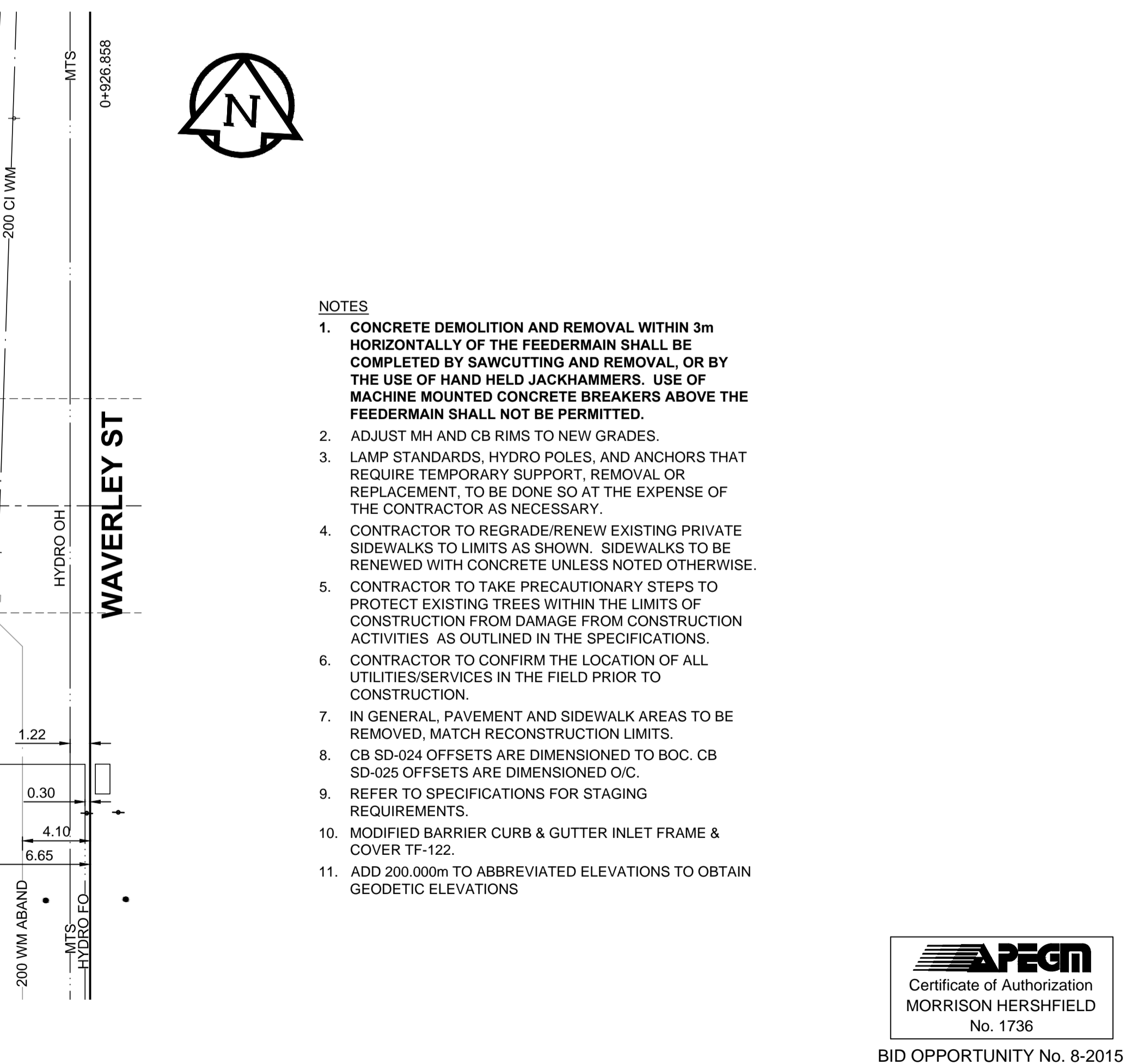
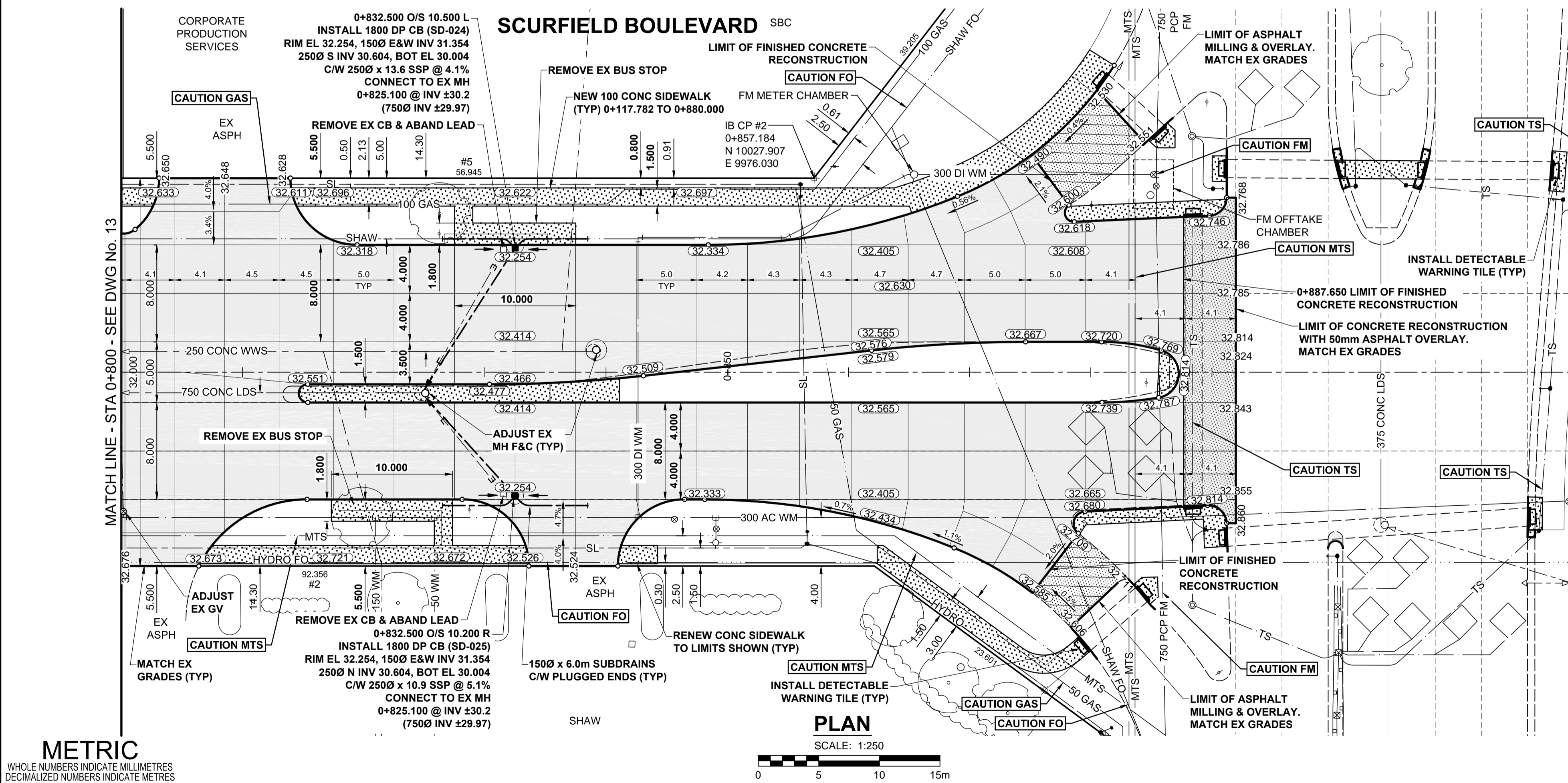


A1 SIZE 594mm x 841mm
PLOT: 2/28/2015 2:58:37 PM
FILE NAME: W140010.Scurfield-PP-07.dwg, Saved By: dlane



TYPICAL PAVEMENT SECTION
CONCRETE PAVEMENT STRUCTURE
SCALE: NTS



METRIC
WHOLE NUMBERS INDICATE MILLIMETRES
DECIMALIZED NUMBERS INDICATE METRES

---	GAS	○	MANHOLE
---	MTS	□	CATCH BASIN / CATCH PIT
---	HYDRO	△	CURB INLET WITH BOX
---	CATV / FIBRE OPTIC	●	TREE
---	TRAFFIC SIGNALS / PIT	⊕	TEST HOLE
---	LAND DRAINAGE SEWER	⊕	PROPERTY LINE
---	SANITARY/COMBINED SEWER	⊕	SURVEY BAR
---	SEWER SERV/DRAINAGE CONN	⊕	FENCE
---	WATERMAIN	⊕	BOC / EDGE OF PAVEMENT
---	SUBDRAIN	33.000	ELEVATION
---	DITCH	←	TRAFFIC SIGN
---	EXISTING	---	LEGEND - PLAN
---	NEW	---	LEGEND - PLAN

---	CONCRETE PAVEMENT	---	LOCATION APPROVED
---	CONC SIDEWALK / MEDIAN	---	UNDERGROUND STRUCTURES
---	ASPHALT PAVEMENT	---	SUPR. U/G STRUCTURES DATE COMMITTEE
---	PAVING STONE	---	NOTE:
---	GRAVEL	---	LOCATION OF UNDERGROUND STRUCTURES AS SHOWN ARE BASED ON THE BEST INFORMATION AVAILABLE. BUT NO GUARANTEE IS GIVEN THAT ALL EXISTING UTILITIES ARE SHOWN OR THAT THE GIVEN LOCATIONS ARE EXACT. CONFIRMATION OF EXISTENCE AND EXACT LOCATION OF ALL SERVICES MUST BE OBTAINED FROM THE INDIVIDUAL UTILITIES BEFORE PROCEEDING WITH CONSTRUCTION.
---	RAMP CURB	---	
---	PLANING / REMOVAL	---	

---	ISSUED FOR TENDER	15/02/27	JGK
---	ISSUED FOR CLIENT REVIEW	15/02/02	JGK
---	REVISIONS	YYMMDD	BY

---	DESIGNED BY	JGK	CHECKED BY	RPB
---	DRAWN BY	DML	APPROVED BY	BWB
---	HOR. SCALE	1:250	RELEASED FOR CONSTRUCTION	
---	VERT. SCALE	1:10		
---	DATE	15/02/02	DATE	

MORRISON HERSHFIELD

PROFESSIONAL'S SEAL
PROVINCE OF MANITOBA
REGISTERED PROFESSIONAL ENGINEER
J.G. KENNEDY
Member
22326

CONSULTANT DRAWING No.
W140010.Scurfield-PP-07.dwg

THE CITY OF WINNIPEG
PUBLIC WORKS DEPARTMENT
ENGINEERING DIVISION

2015 LOCAL STREET & ALLEY RENEWAL PROGRAM
SCURFIELD BOULEVARD
DOVERCOURT DR TO WAVERLEY ST
CONCRETE RECONSTRUCTION
HORIZONTAL AND VERTICAL ALIGNMENT
STA 0+800 TO STA 0+930

CITY DRAWING NUMBER N/A
SHEET 14 OF 14
DRAWING No. 14
REV B

BID OPPORTUNITY No. 8-2015