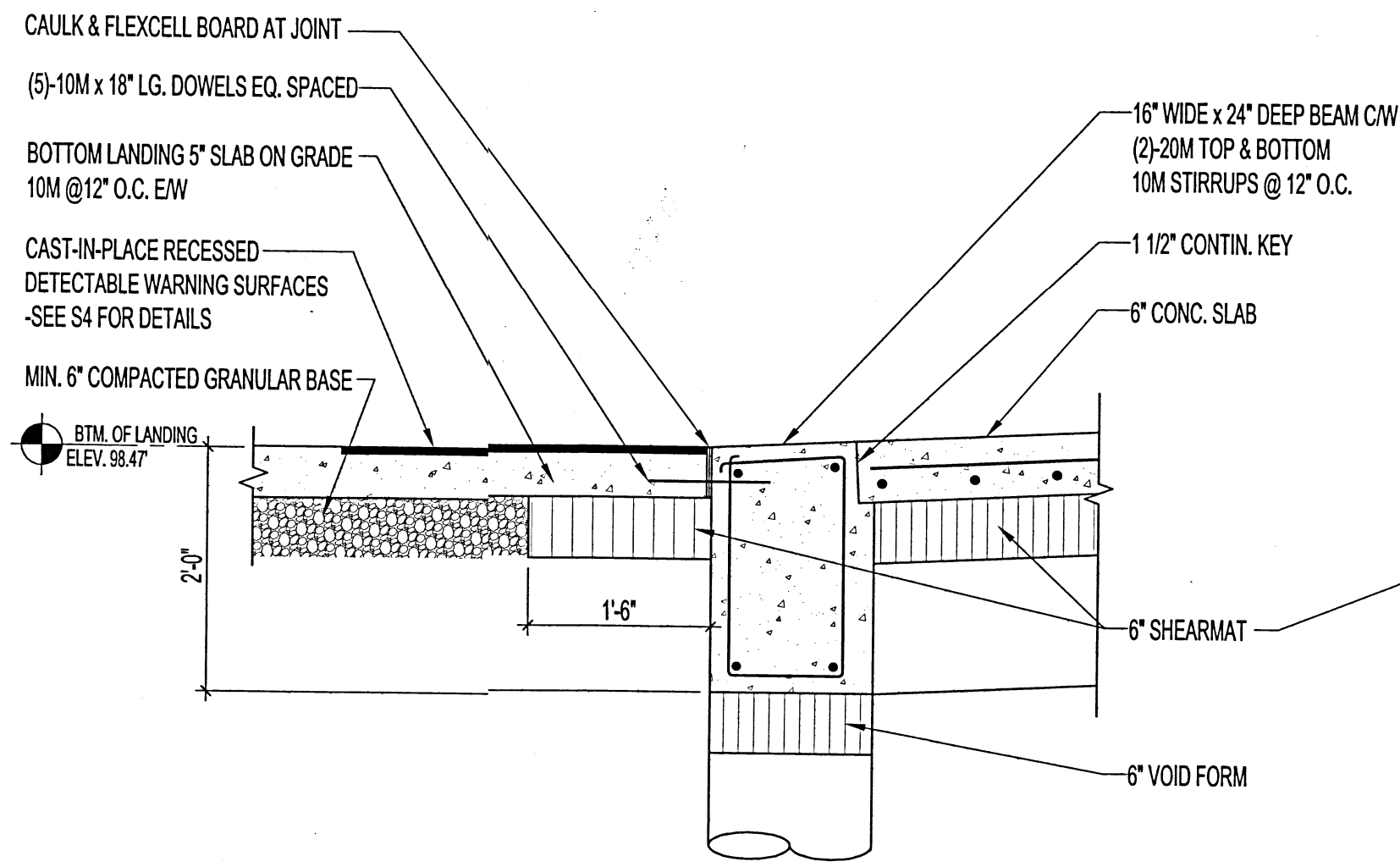
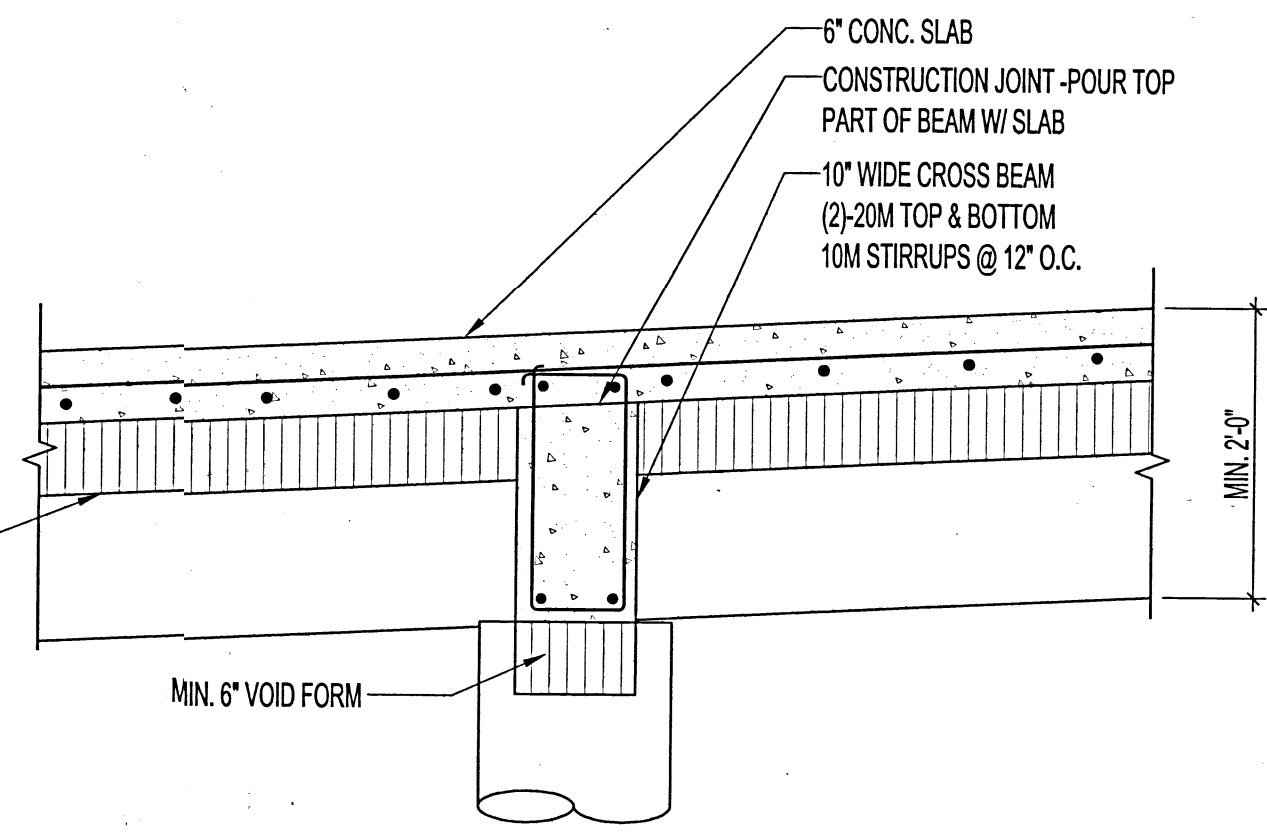


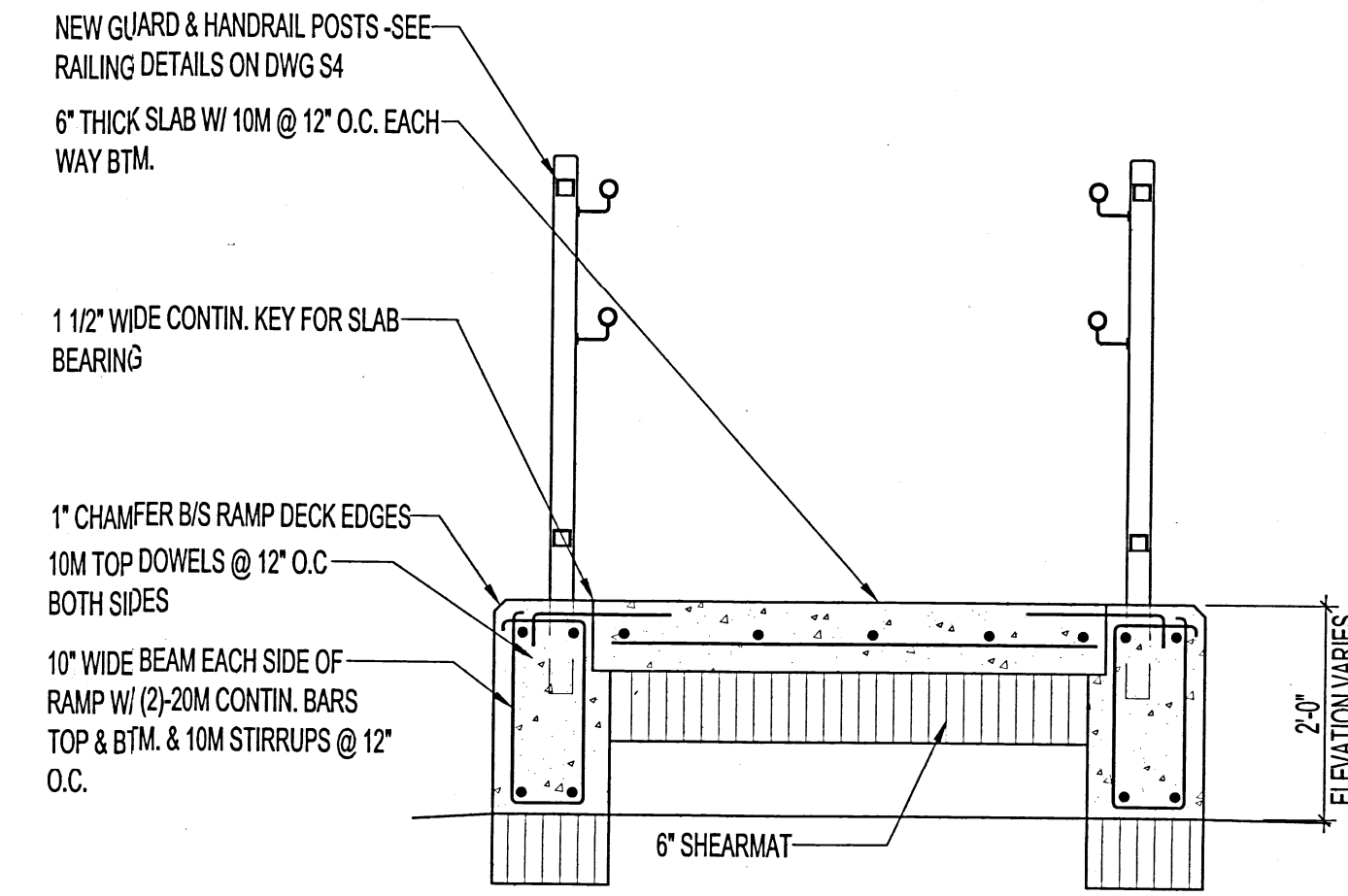
NOTES:



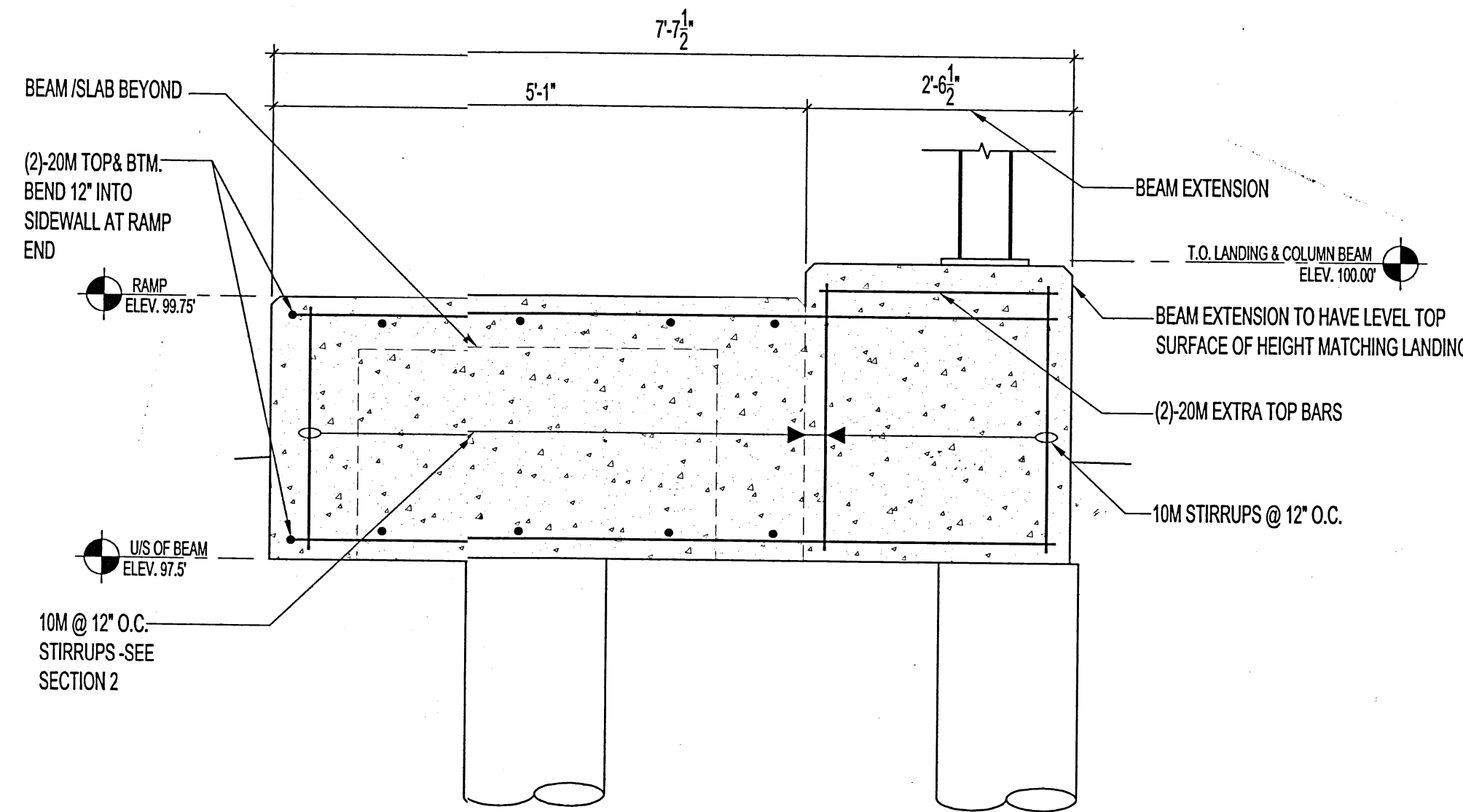
1 SECTION - LOWER END RAMP & BTM. LANDING
S2 | S3 SCALE: 3/4" = 1'-0"



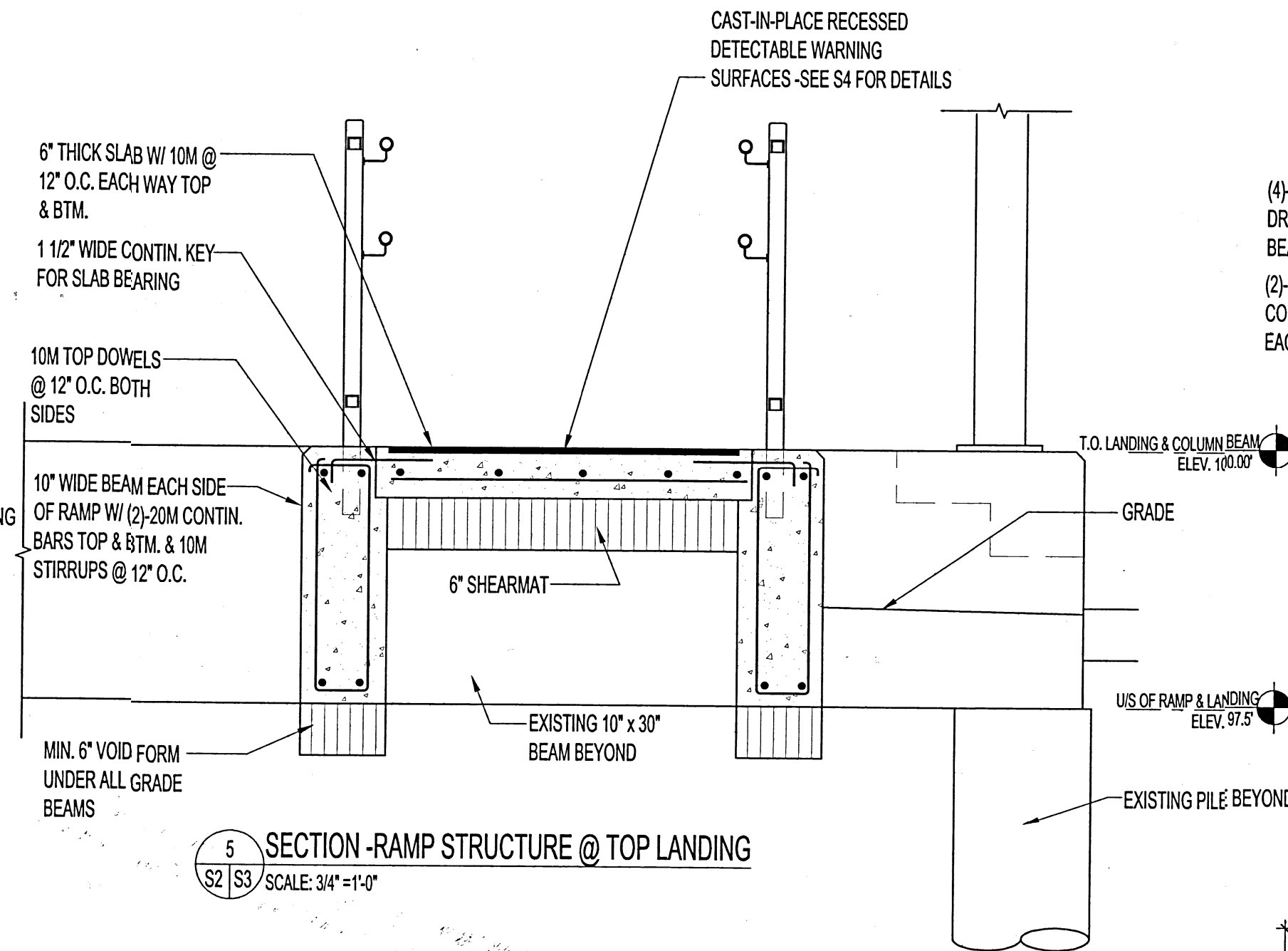
2 SECTION - INTERMEDIATE BEAM, TYP. 2 LOCATIONS
S2 | S3 SCALE: 3/4" = 1'-0" LOCATION AT SECTION 5 SIMILAR



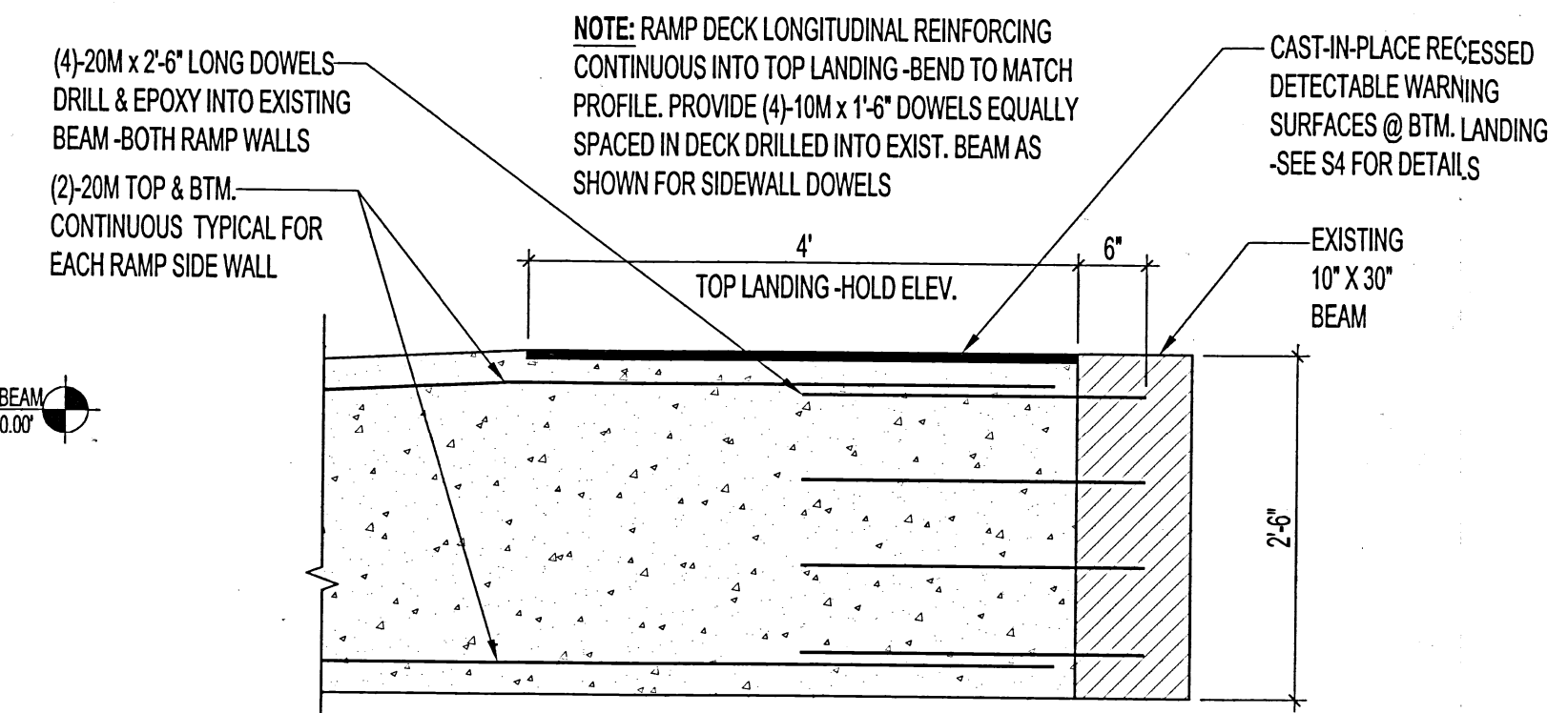
3 SECTION - RAMP STRUCTURE
S2 | S3 SCALE: 3/4" = 1'-0"



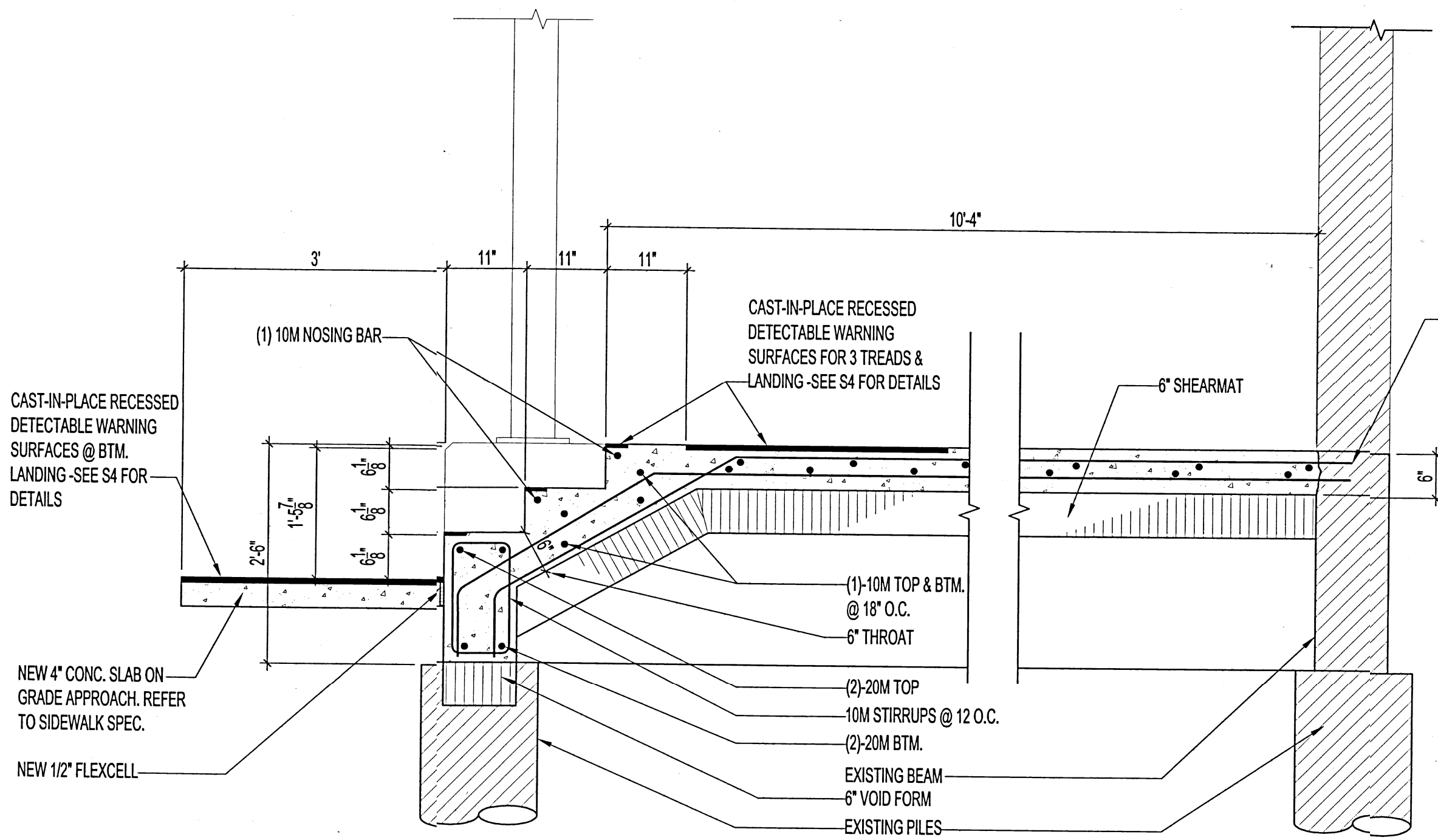
4 SECTION - INTERMEDIATE BEAM
S2 | S3 SCALE: 3/4" = 1'-0"



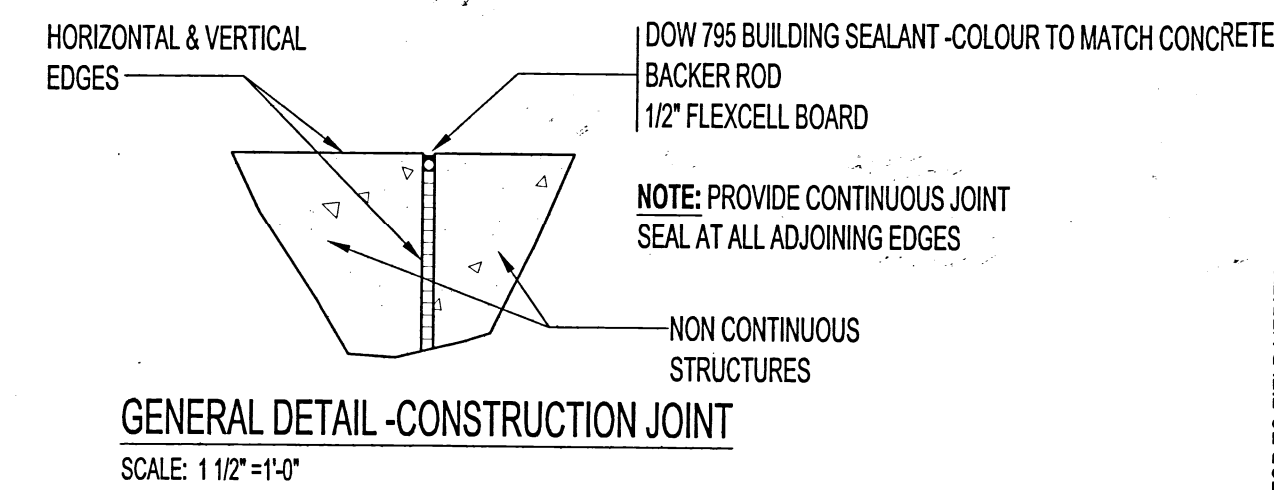
5 SECTION - RAMP STRUCTURE @ TOP LANDING
S2 | S3 SCALE: 3/4" = 1'-0"



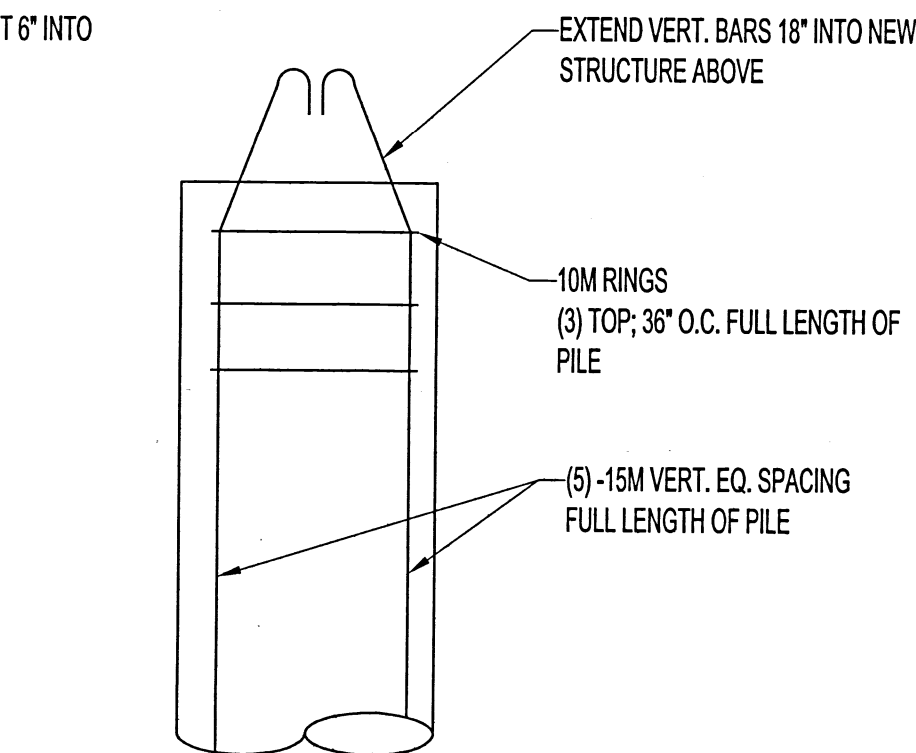
6 SECTION - UPPER RAMP ATTACHMENT TO MAIN LANDING
S2 | S3 SCALE: 3/4" = 1'-0"



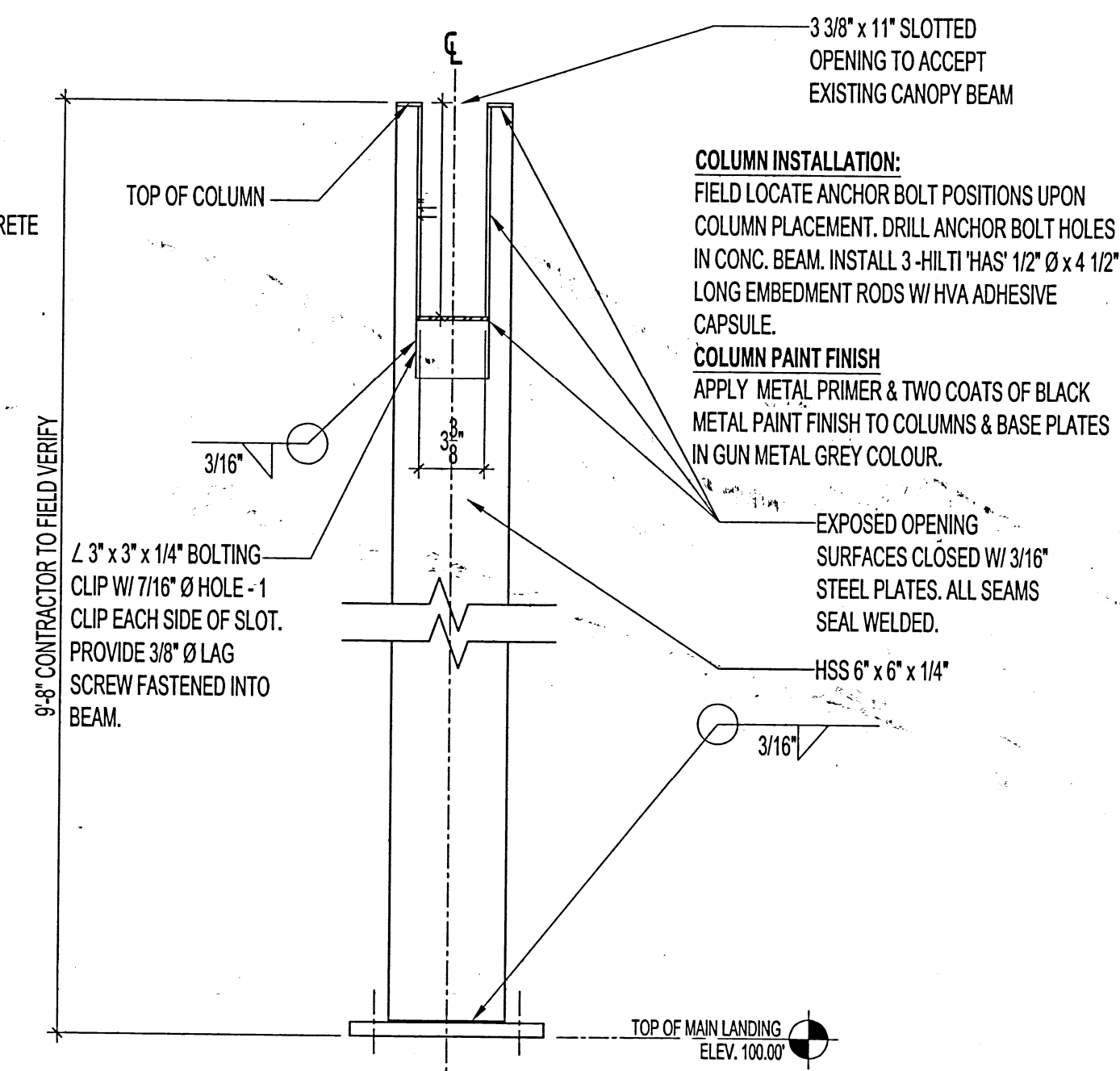
7 SECTION - NEW CONCRETE LANDING & STEPS
S2 | S3 SCALE: 3/4" = 1'-0"



GENERAL DETAIL - CONSTRUCTION JOINT
SCALE: 1 1/2" = 1'-0"

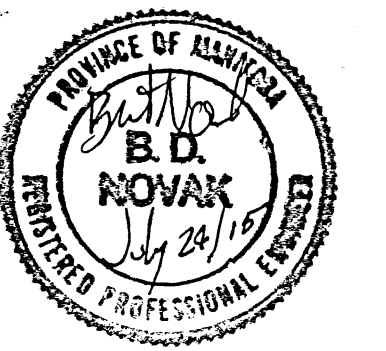


CAST-IN-PLACE PILE REINFORCING (TYPICAL)



ELEVATION - CANOPY SUPPORT COLUMN & BASEPLATE PLAN (TYPICAL)
SCALE: 1 1/2" = 1'-0"

ISSUED FOR CONSTRUCTION		MMK 2015.07.24	
No.	REVISION/DESCRIPTION	BY	DATE



DRAWN	MMK	CHECKED	DESIGNED	APPROVED
DATE	2015.03.03	USER		

THE CITY OF WINNIPEG
PLANNING, PROPERTY AND
DEVELOPMENT DEPARTMENT
MUNICIPAL ACCOMMODATIONS DIVISION
3-65 GARRY STREET, R3C 4K4

PROJECT
FORT GARRY LIBRARY
EXTERIOR REFURBISHING

1360 PEMBINA HIGHWAY
SHEET TITLE
STRUCTURAL SECTIONS
& DETAILS

SCALE	PROJECT No:	SHEET No:
AS SHOWN	2015-054	S3