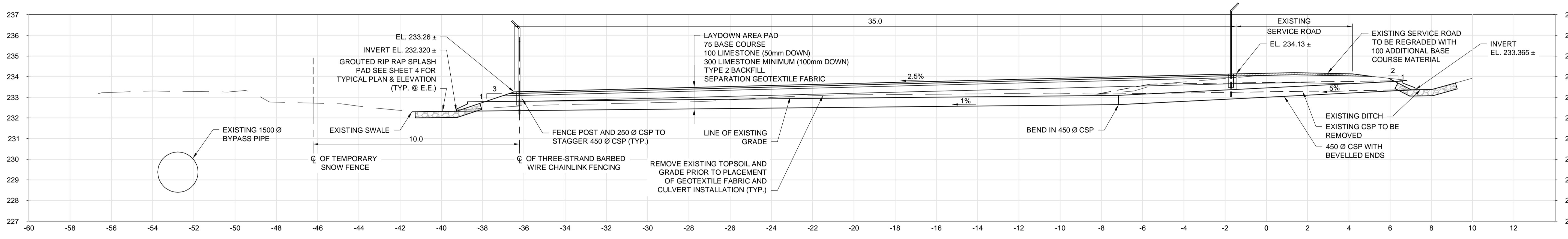
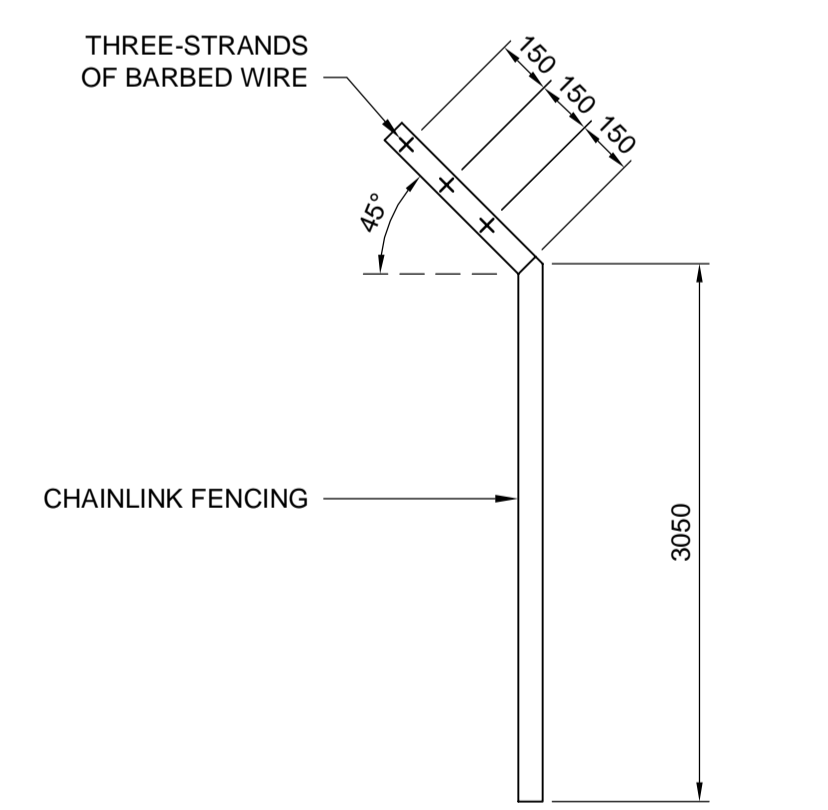


1 SECTION 1:100



2 SECTION 1:100 AT CULVERT



TYPICAL FENCING PROFILE NTS

METRIC

WHOLE NUMBERS INDICATE MILLIMETRES  
DECIMALIZED NUMBERS INDICATE METRES

**APECM**  
Certificate of Authorization  
**Dillon Consulting Limited (MB)**  
No. 1789 Date: 2015-08-31

LOCATION APPROVED UNDERGROUND STRUCTURES	
N/A	
SUPV. U/G STRUCTURES COMMITTEE	DATE
NOTE: LOCATION OF UNDERGROUND STRUCTURES AS SHOWN ARE BASED ON THE BEST INFORMATION AVAILABLE BUT NO GUARANTEE IS GIVEN THAT ALL EXISTING UTILITIES ARE SHOWN OR THAT THE GIVEN LOCATIONS ARE EXACT. CONFIRMATION OF EXISTENCE AND EXACT LOCATION OF ALL SERVICES MUST BE OBTAINED FROM THE INDIVIDUAL UTILITIES BEFORE PROCEEDING WITH CONSTRUCTION.	

B.M. ELEV.	CHECKED BY	SSR
CONSTRUCTION COMPLETION DATE:	APPROVED BY	SSR
	DESIGNED BY	R.P.
	DRAWN BY	tkk
	SCALE:	AS NOTED
	HORIZONTAL	
	VERTICAL	
0 ISSUED FOR TENDER	2015-08-31	SSR
NO.	REVISIONS	DATE BY
		2015-08-31

**DILLON CONSULTING**

RELEASED FOR CONSTRUCTION

CONSULTANT DRAWING NUMBER  
14-1411-C-101

DATE: 2015-08-31

ENGINEER'S SEAL

CONSULTANT DRAWING NUMBER  
14-1411-C-101

**THE CITY OF WINNIPEG**  
WATER AND WASTE DEPARTMENT  
ENGINEERING DIVISION

**WILKES RESERVOIR NORTH CELL REHABILITATION**  
CONSTRUCTION OF LAYDOWN AREA  
LAYDOWN AREA SECTIONS

SHEET 3 OF 4 CITY DRAWING NUMBER 1-0650R-C0002-001