

SECTION 1
SCALE: 1/2"=1'-0" S-03

GRADE BEAM SCHEDULE		
G.B.-1	8"x24"	3-20M T.& B. 10M STIRRUPS @ 18"O/C
G.B.-2	8"x50"	2-20M T.& B. 10M STIRRUPS @ 18"O/C 10M HOR.E.F. @ 1/3 PTS.
G.B.-3	8"x18"	2-15M T.& B. 10M STIRRUPS @ 18"O/C
G.B.-4	8"x50/24	2-20M T.& B. 10M STIRRUPS @ 18"O/C 10M HOR.E.F. @ 1/3 PTS.
G.B.-5	8"x24/18	2-20M T.& B. 10M STIRRUPS @ 18"O/C
G.B.-6	8"x32/16	2-15M T.& B. 10M STIRRUPS @ 18"O/C

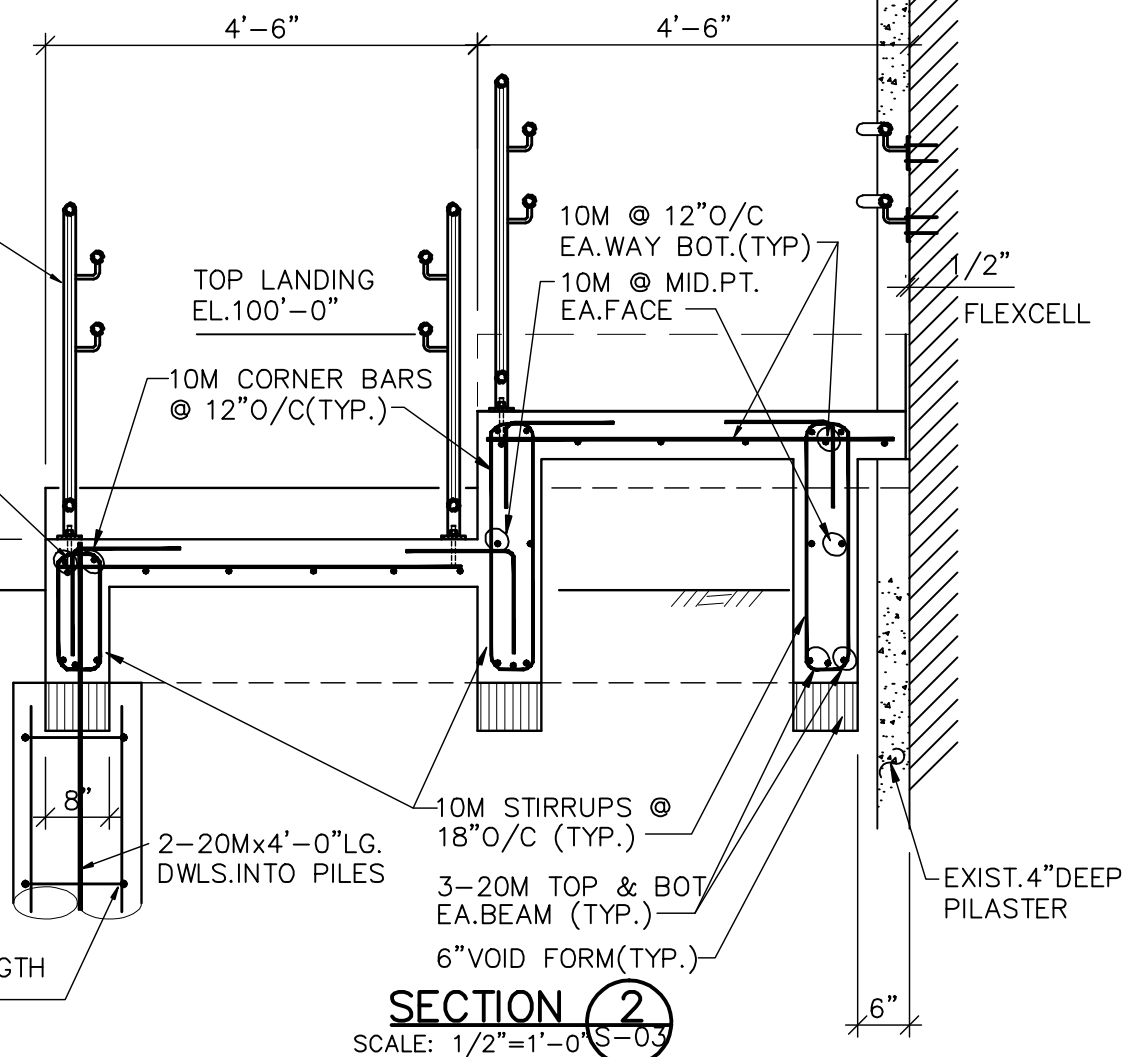
POSTS @ 4'-0"O/C MAX
REFER TO ARCH.DWGS. FOR
CONFIG. OF RAILING &
MEMBER SIZES

2-20M T.& B.
MID LANDING
EL.98'-4 3/4"

LOW LANDING
EL.97'-4"

GRADE TO
MATCH LOW
LANDING

PILE-1
16"Ø CONC. PILE x 25'-0" DEEP
R/W 4'-10M VERT. FULL LENGTH
& 10M TIES @ 24"O/C



SECTION 2
SCALE: 1/2"=1'-0" S-03

SHEET: **S-04**

DESIGNED BY:
K.C.

DRAWN BY:
LDM

SCALE:
AS SHOWN

DATE:
SEP., 2014

CITY OF WINNIPEG
CENTRAL FREIGHT HOUSE
WHEELCHAIR RAMP & STAIRS

TYPICAL SECTIONS

CHARLESON ENGINEERING LTD.
101-1200 Pembina Hwy.
WINNIPEG, MANITOBA
TEL. (204) 895-1474