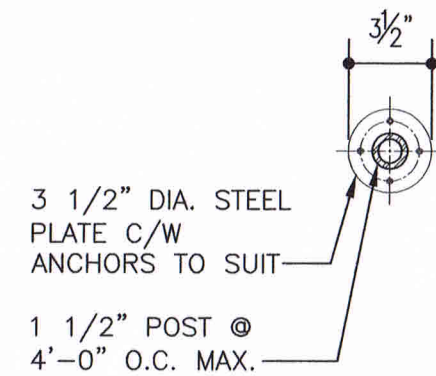


ALL HANDRAILS & GUARD RAILS TO BE COMPLETE WITH PAINT FINISH – PROVIDE ALTERNATE PRICE TO COMPLETE RAILINGS WITH GALVANIZED FINISH IN LIEU OF PAINT

HANDRAILS SHALL BE DESIGNED & MANUFACTURED IN ACCORDANCE WITH NBC 4.1.5.14. SHOP DRAWINGS SHALL BE COMPLETE UNDER THE SEAL OF A LICENSED STRUCTURAL ENGINEER.



POST DETAIL

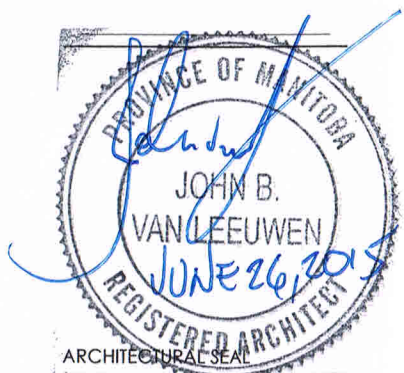
1 SECTION
AA-301 (5) 1 1/2"=1'-0"



John van Leeuwen
Architecture and Design
211-43 Albert Street Wpg, MB R3B 1G4
Ph: 204-504-7443

CITY OF WINNIPEG
CENTRAL FREIGHT HOUSE
WHEELCHAIR RAMP AND STAIR
RETROFIT - DOOR 5
WINNIPEG, MANITOBA

CLIENT REVIEW SIGNATURE:



SHEET TITLE:
SECTION DETAILS

PROJECT NO: 2014052 C
DRAWN BY: ZN/RR
CHECKED BY: JV
SCALE: 1 1/2"=1'-0"
ISSUED FOR: CONSTRUCTION
ISSUE DATE: APRIL 7, 2015

AA-301 (5)

CD
DATE PLOTTED
6/26/15