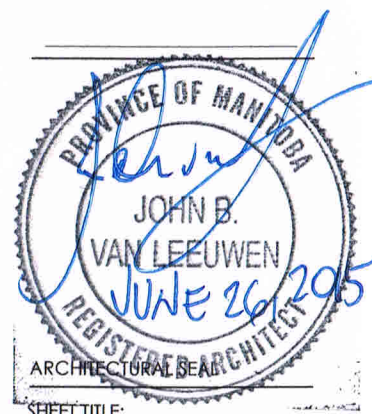


CONSTRUCTION NOTES

- 1 PATCH & REPAIR ASPHALT AFFECTED BY NEW CONSTRUCTION
- 2 NEW BOLLARD – REFER TO DETAIL 1/AA-303
- 3 NEW C.I.P. CONCRETE RAMP, STAIRS AND LANDINGS C/W STEEL HANDRAILS PROVIDE
- 4 DETECTABLE WARNING SURFACE
- 5 EXTEND HANDRAIL– SEE DETAIL 4/A-202
- 6 CUT CONCRETE TO SUIT AND PROVIDE DETECTABLE WARNING SURFACE.
- 7 NEW HANDRAIL, GUARDRAIL AND CENTRE RAIL ON EXISTING CONCRETE STAIR AND LANDING
- 8 2" CAST IN PLACE STAIR CONSTRASTING STAIR TREAD NOSING TYPICAL FOR ALL NEW STAIRS.

CITY OF WINNIPEG
CENTRAL FREIGHT HOUSE
WHEELCHAIR RAMP AND STAIR
RETROFIT-DOOR 5
WINNIPEG, MANITOBA

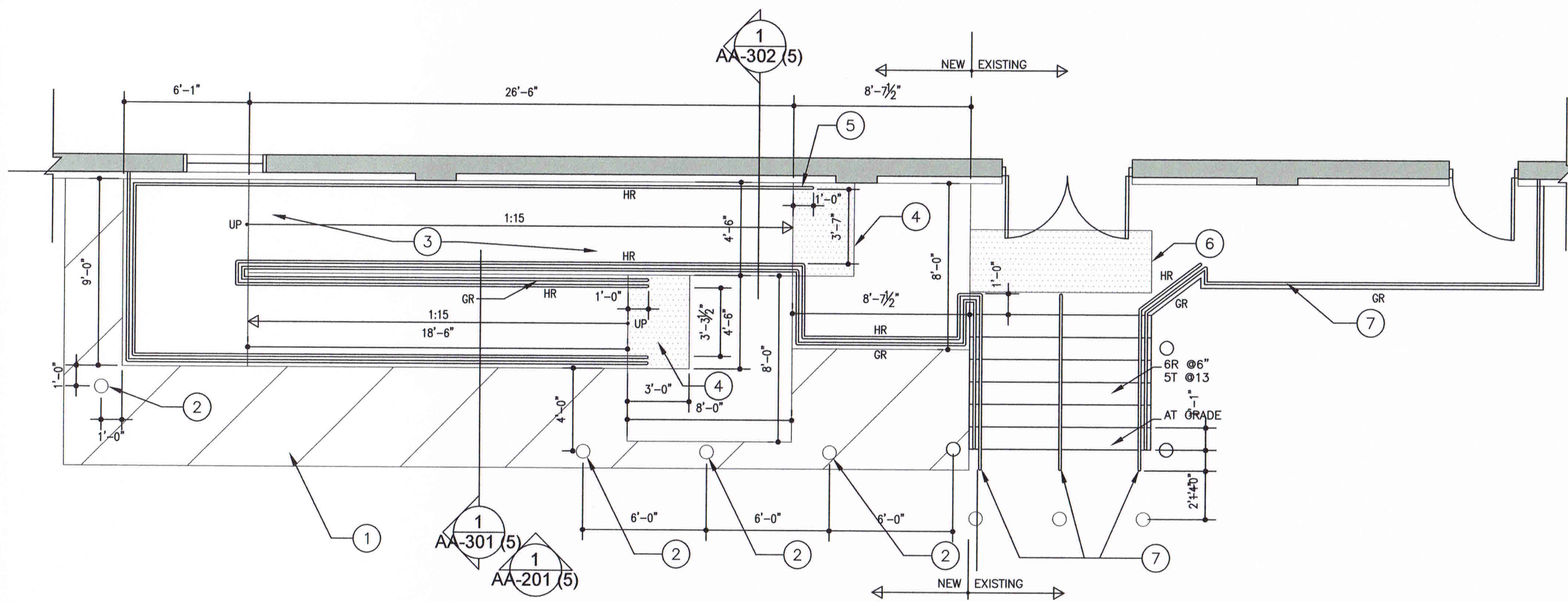
CLIENT REVIEW SIGNATURE:



SHEET TITLE:
PLAN DOOR 5

PROJECT NO: 2014052
DRAWN BY: RR
CHECKED BY: JV
SCALE: 3/16"=1'-0"
ISSUED FOR: CONSTRUCTION
ISSUE DATE: APRIL 7, 2015

AA-102(5)
CD
DATE PLOTTED
6/26/15



1 PLAN DOOR 5
AA-102 (5) 3/16"=1'-0"