

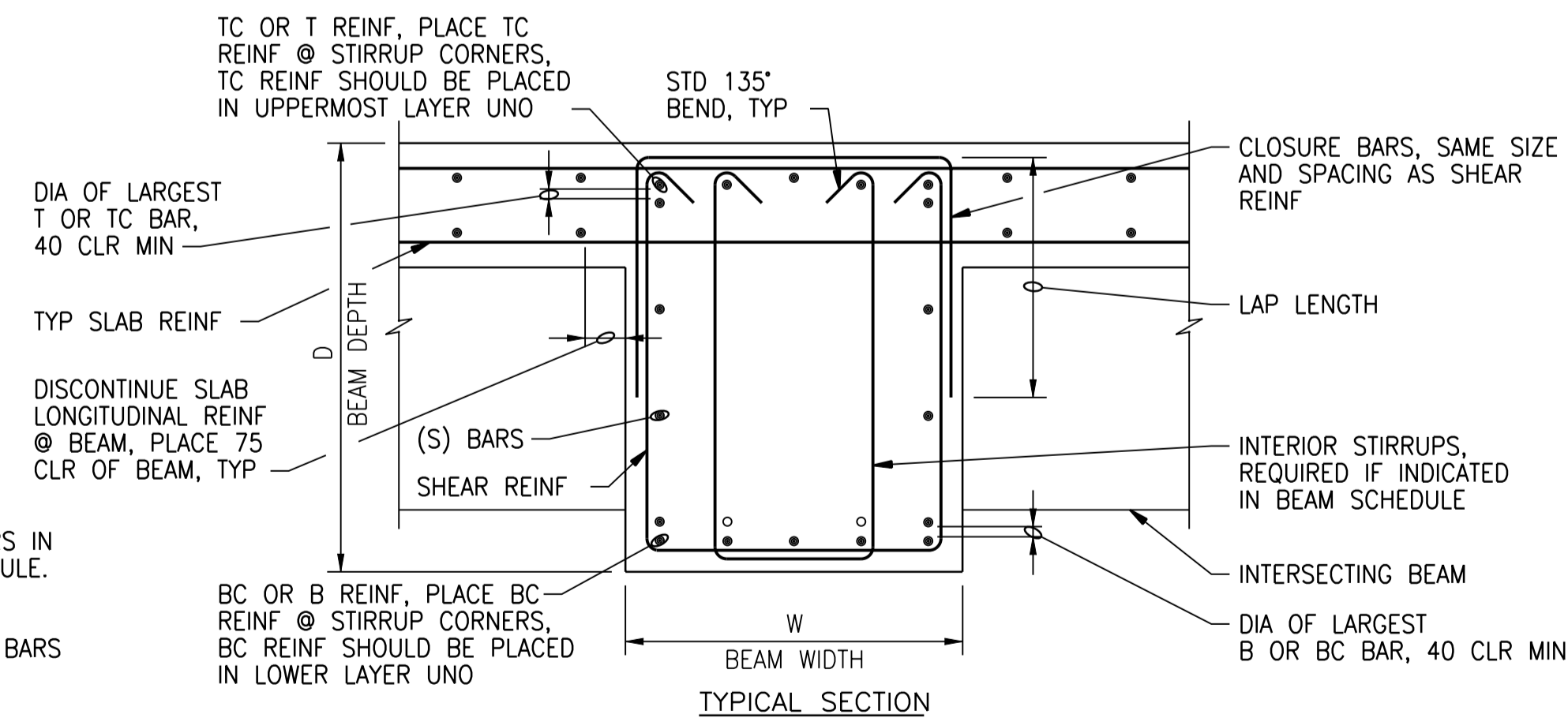
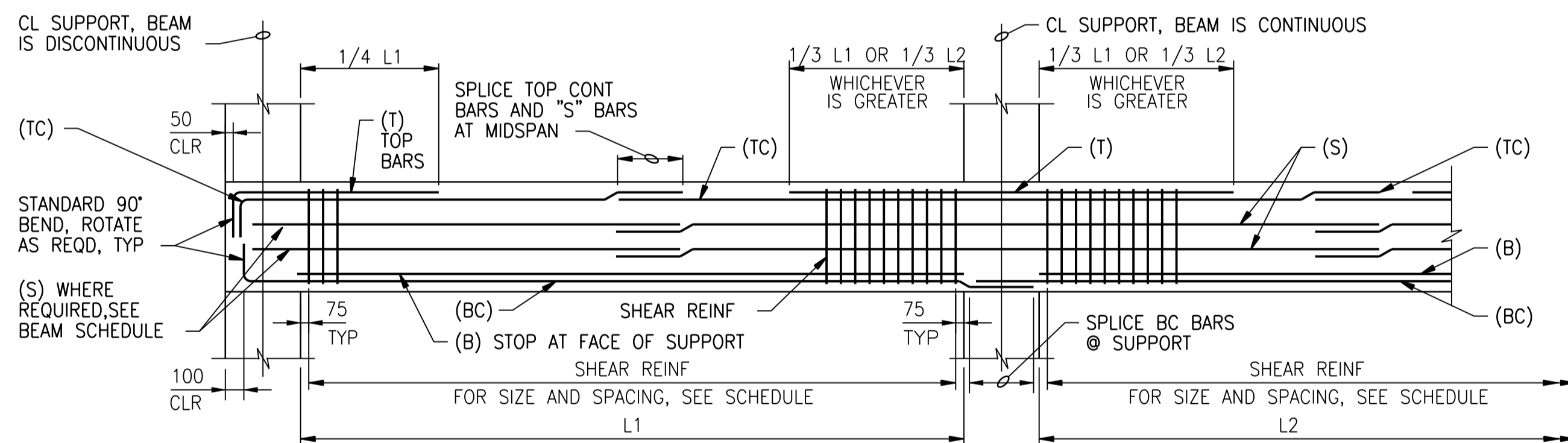
BEAM NO. (SEE PLANS)	SIZE		* TOP REINF AT LEFT SUPPORT		BOTTOM REINF		* TOP REINF AT RIGHT SUPPORT		S BARS	SHEAR REINF			REMARKS	
	W	D	T	TC	B	BC	T	TC		NO. (NOTE 5)	SIZE	TYPE		SPACING FROM LEFT SUPPORT
BM1	600	600	-	2-30M	-	2-25M	-	2-30M	-	1	10M	STIRRUP	@ 250	
BM2	600	700	-	2-30M	-	7-25M	7-30M	2-30M	-	2	10M	STIRRUP	@ 250	
BM3	600	700	7-30M	2-30M	-	7-25M	-	2-30M	-	2	10M	STIRRUP	@ 250	
BM4	400	600	-	2-15M	-	3-25M	-	2-15M	-	1	10M	STIRRUP	@ 300	
BM5	300	900	-	-	-	4-20M	-	-	-	1	10M	STIRRUP	@ 300	CONTINUE WALL REINFORCING THROUGH BEAM
BM6	300	600	-	2-25M	-	2-25M	-	2-25M	-	1	10M	STIRRUP	@ 300	

NOTES:

- * TOP REINFORCING MAY BE CALLED-OUT TWICE IN SCHEDULE. (I.E. "TOP REINFORCING AT RIGHT SUPPORT" OF BEAM THAT IS CONTINUOUS OVER THE RIGHT SUPPORT IS CALLED-OUT AS "TOP REINFORCING AT LEFT SUPPORT" OF ADJACENT BEAM.)
- LEFT SUPPORT IS DESIGNATED AS THE SUPPORT CLOSEST TO THE LEFT SIDE OR BOTTOM OF SHEET ON WHICH FRAMING PLAN IS DRAWN, UNLESS NOTED OTHERWISE ON PLAN.
- WHERE FLOOR SLOPES, DEPTH OF BEAM (D) SHOWN IS MINIMUM DEPTH. BOTTOM ELEVATION OF BEAM SHALL BE CONSTANT, UNLESS INDICATED OTHERWISE.
- WHERE SHEAR REINFORCING "TYPE" IS INDICATED AS "STIRRUP", PROVIDE SHEAR REINFORCING AND CLOSURES AS SHOWN IN BEAM REINFORCING DETAIL. WHERE SHEAR REINFORCING "TYPE" IS INDICATED AS "CLOSED TIE", PROVIDE CLOSED TIES IN LIEU OF STIRRUPS AND CLOSURE BARS.
- "NO." INDICATES NUMBER OF STIRRUPS OR TIES PER SET.

BEAM SCHEDULE

NTS



NOTES:

- PLACE TOP (T & TC) AND BOTTOM (B & BC) BARS IN MULTIPLE ROWS ONLY WHERE INDICATED IN SCHEDULE.
- WHEN INDICATED IN BEAM SCHEDULE, SUBSTITUTE CLOSED TIES (T) FOR STIRRUPS AND CLOSURE BARS SHOWN (S).
- PROVIDE MINIMUM 1 - 15M CONTINUOUS AT EACH CORNER OF STIRRUPS.

BEAM REINFORCING

NTS



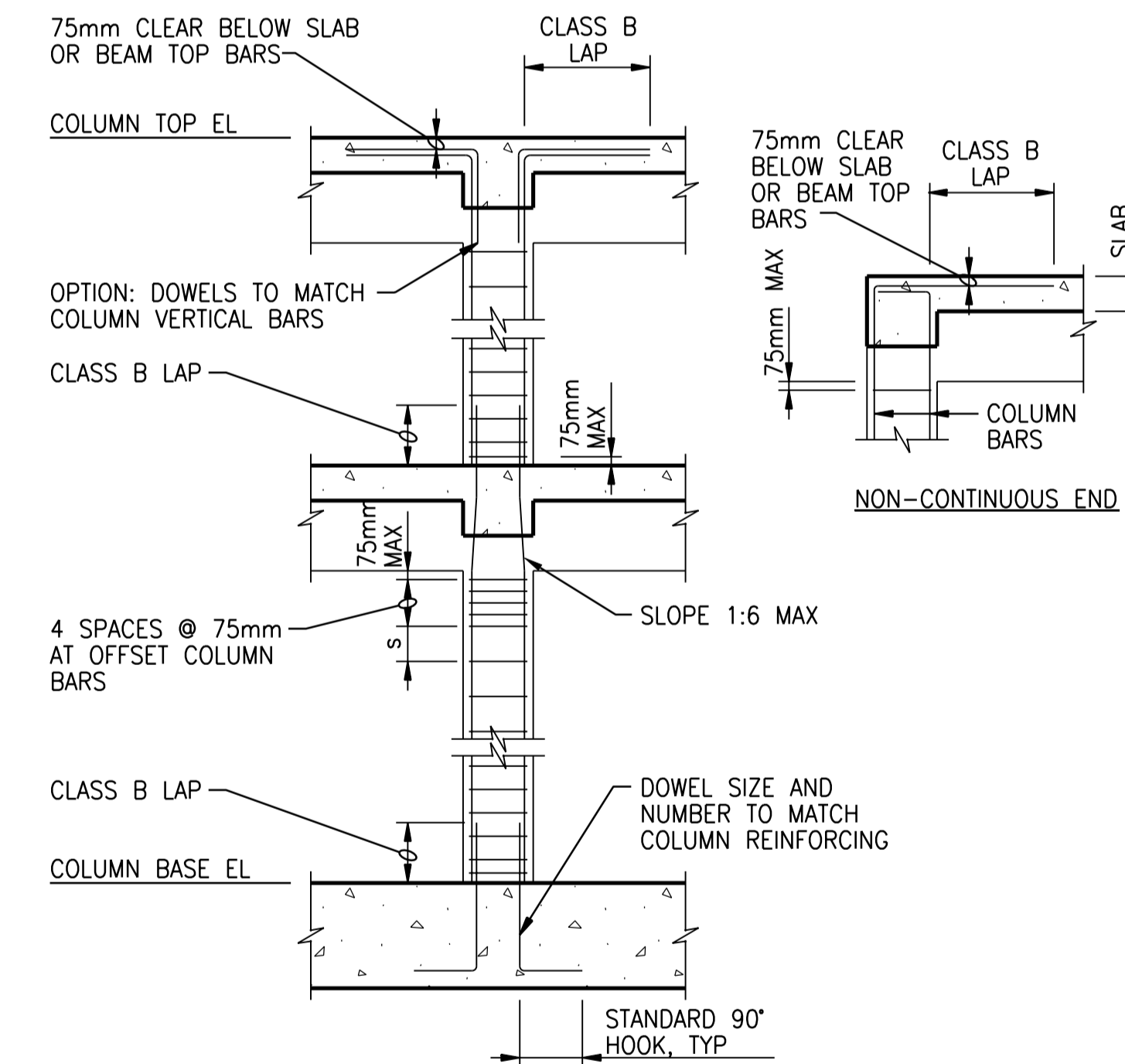
COLUMN REINFORCING	SIZE (mm)		VERTICAL REINFORCING (NUMBER-SIZE)	TRAVERSE REINFORCING		CROSS-SECTION	REMARKS
	W	D		SIZE	S		
C1	300	300	4-20M	10M	300		TOTAL OF 11
C2	300	300	4-25M	10M	300		TOTAL OF 12
C3	400	400	4-25M	10M	300		TOTAL OF 2

NOTES:

- "W" = DIMENSION IN EAST/WEST DIRECTION.
- "D" = DIMENSION IN NORTH/SOUTH DIRECTION.
- "S" = SPACING, SEE DETAIL BELOW.

COLUMN REINFORCING SCHEDULE

NTS



NOTES:

- FOR COLUMN DIMENSIONS AND REINFORCING SEE COLUMN SCHEDULE.
- "s" = TIE SPACING.
- FOR BEAM DIMENSIONS AND REINFORCING SEE BEAM SCHEDULE.

COLUMN REINFORCING

NTS

DESIGNED BY: E. LUJ CHECKED BY: R. PARIKH DRAWN BY: G. OMORI APPROVED BY: E. LUJ SCALE: NTS ISSUED FOR CONSTRUCTION BY: T. TURZAK DATE: 2015/08/13 DATE: 2015/08/13		CONSULTANT NO.: 474248		SOUTH END WATER POLLUTION CONTROL CENTRE SEWPCC UPGRADING/EXPANSION PROJECT STRUCTURAL HIGH RATE CLARIFICATION BUILDING COLUMN AND BEAM SCHEDULE		CITY DRAWING NUMBER: 1-0102-SSCH-K001 SHEET: 00 REV: A1 SIZE: A1	