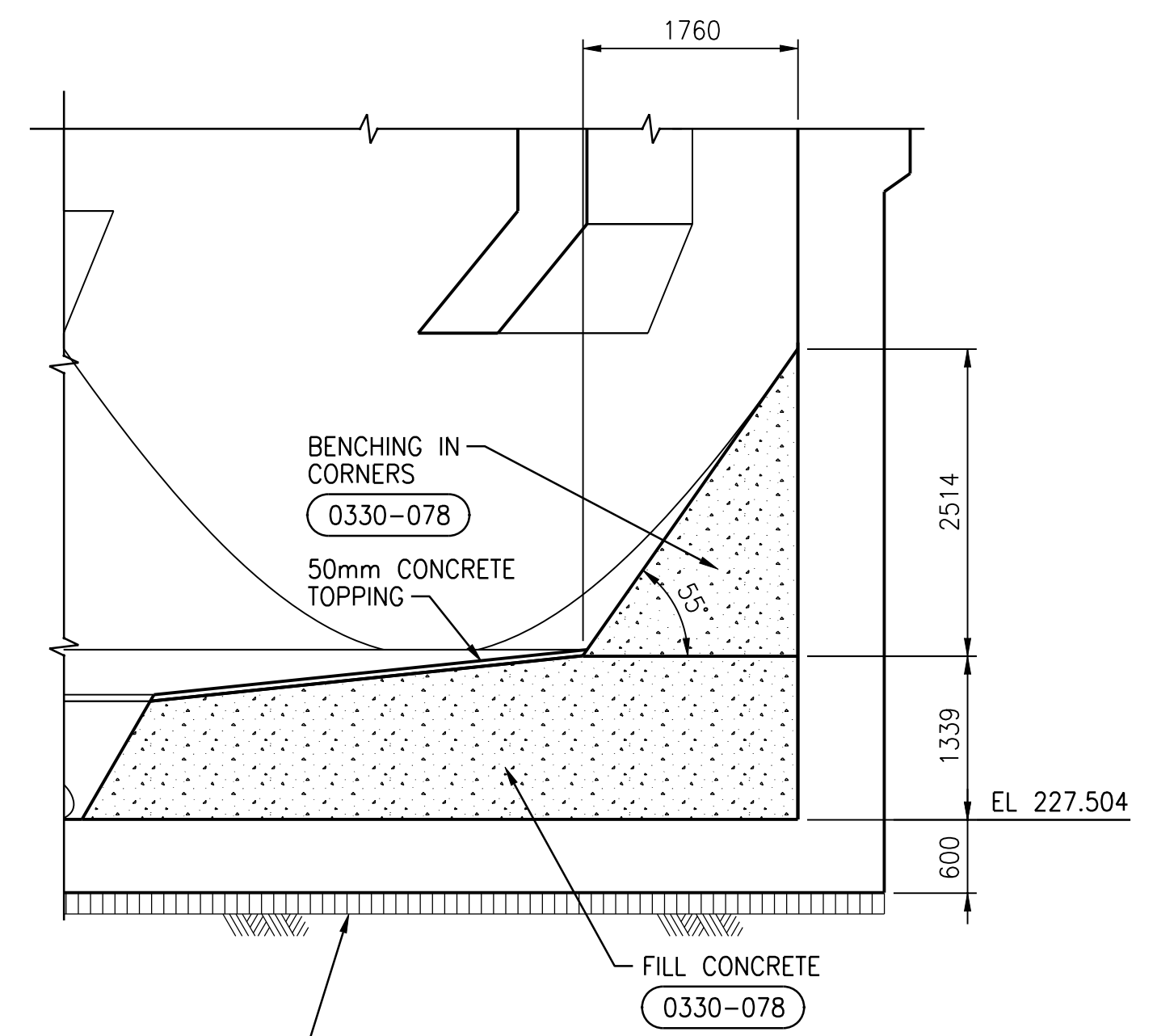


1 DETAIL
1:50



P SECTION
1:50
SGAD-K001

F SECTION
1:50
SGAD-K001,
SGAD-K002,
SGAD-K003,
SGAD-K004

EXISTING SHORING NOT SHOWN FOR CLARITY

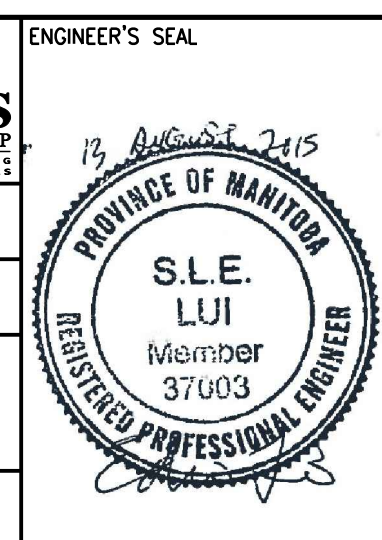
SEE SECTION **E** FOR REINF SGAD-K011

PIPE ENCASEMENT (0330-017), TYP



NO.	REVISIONS	DATE	DESIGN	CHECK
00	ISSUED FOR TENDER	08/2015	G.O. J.C.	

CH2MHILL.		KCS GROUP CONSULTANTS	
DESIGNED BY: E. LUI	CHECKED BY: R. PARIKH	ISSUED FOR CONSTRUCTION BY: T. TURZAK	DATE: 2015/08/13
DRAWN BY: G. OMORI	APPROVED BY: E. LUI	DATE: 2015/08/13	CONSULTANT NO.: 474248
SCALE: 1:50			



THE CITY OF WINNIPEG
WATER AND WASTE DEPARTMENT

SOUTH END WATER POLLUTION CONTROL CENTRE
SEWPC UPGRADING/EXPANSION PROJECT
STRUCTURAL
HIGH RATE CLARIFICATION BUILDING
SECTIONS F AND P

CITY DRAWING NUMBER: 1-0102-SGAD-K012
SHEET: 00
REV: 00
SIZE: A1