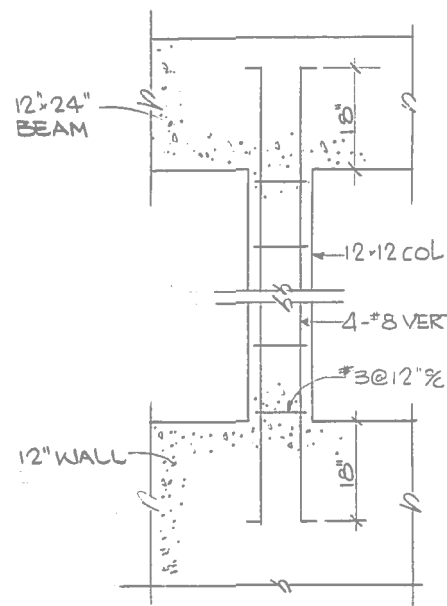
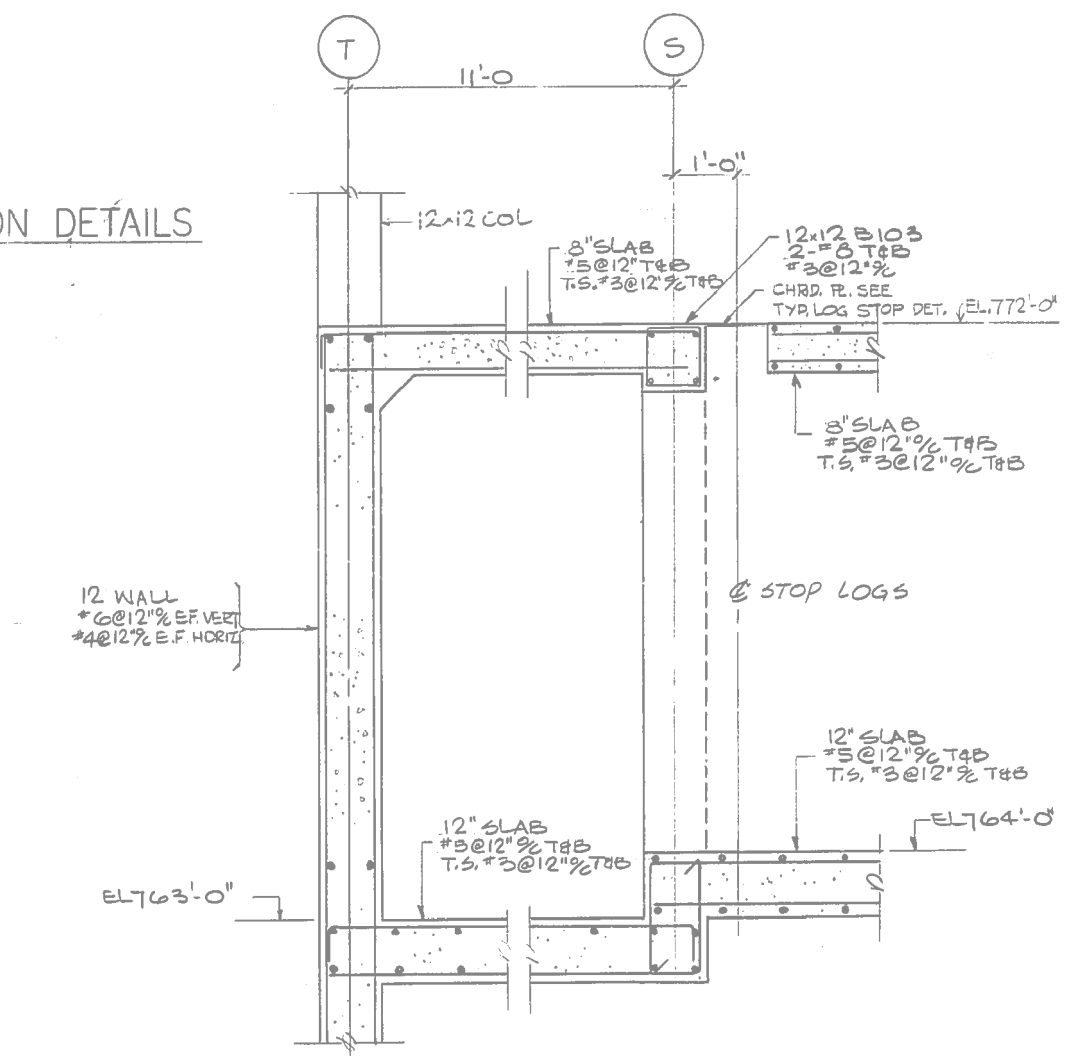


PRECAST ROOF CONNECTION DETAILS

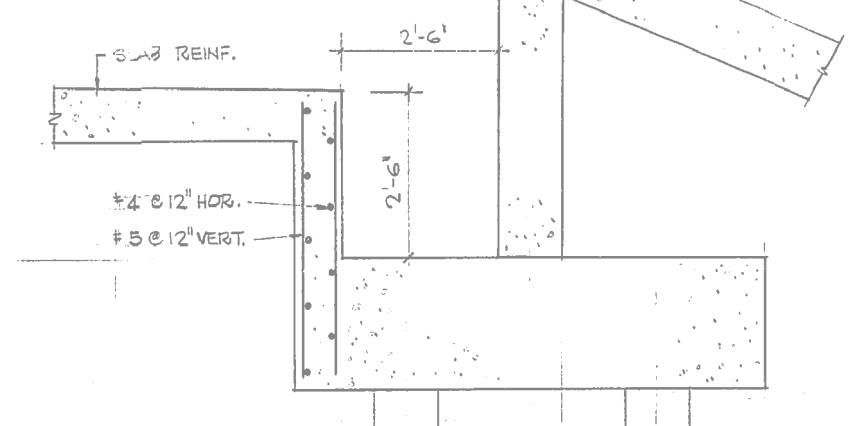


TYPICAL COLUMN REINFORCING DETAIL

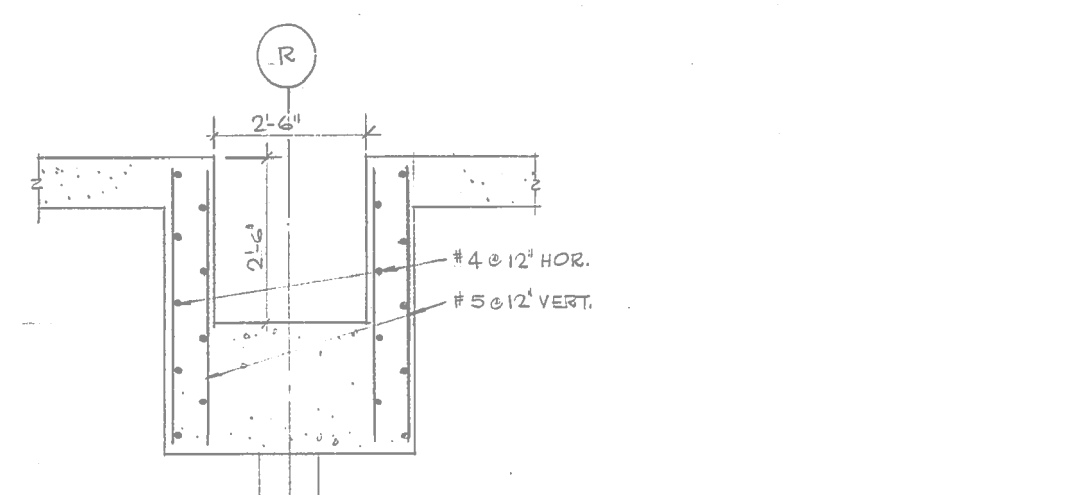
3 SECTION 5251/252 12' x 11'-0"



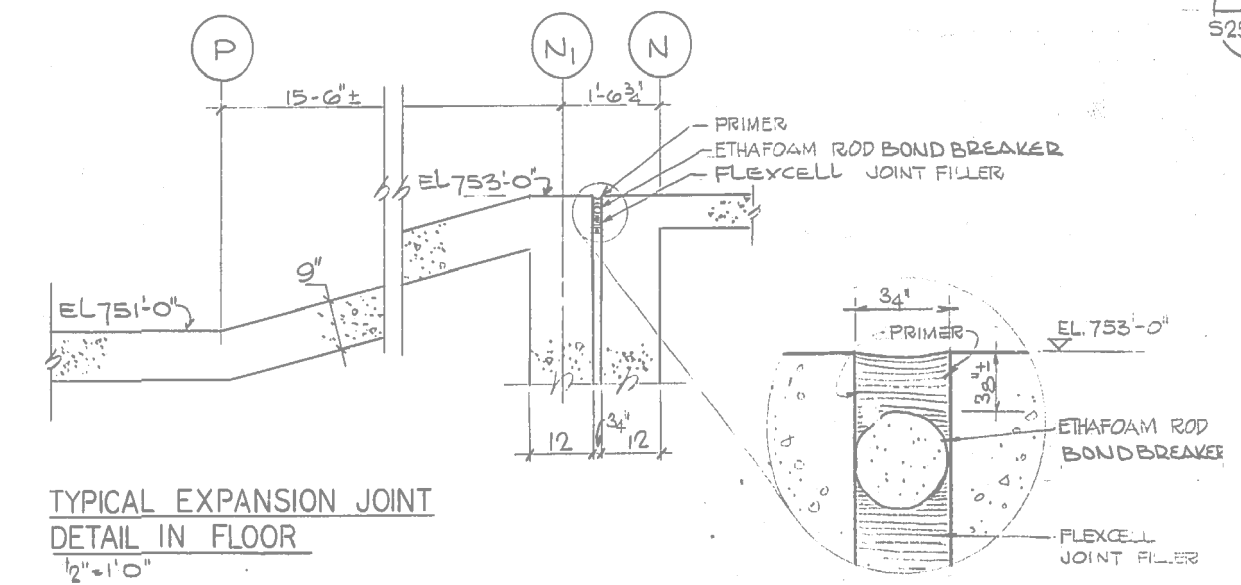
4 SECTION 5251/252 12' x 11'-0"



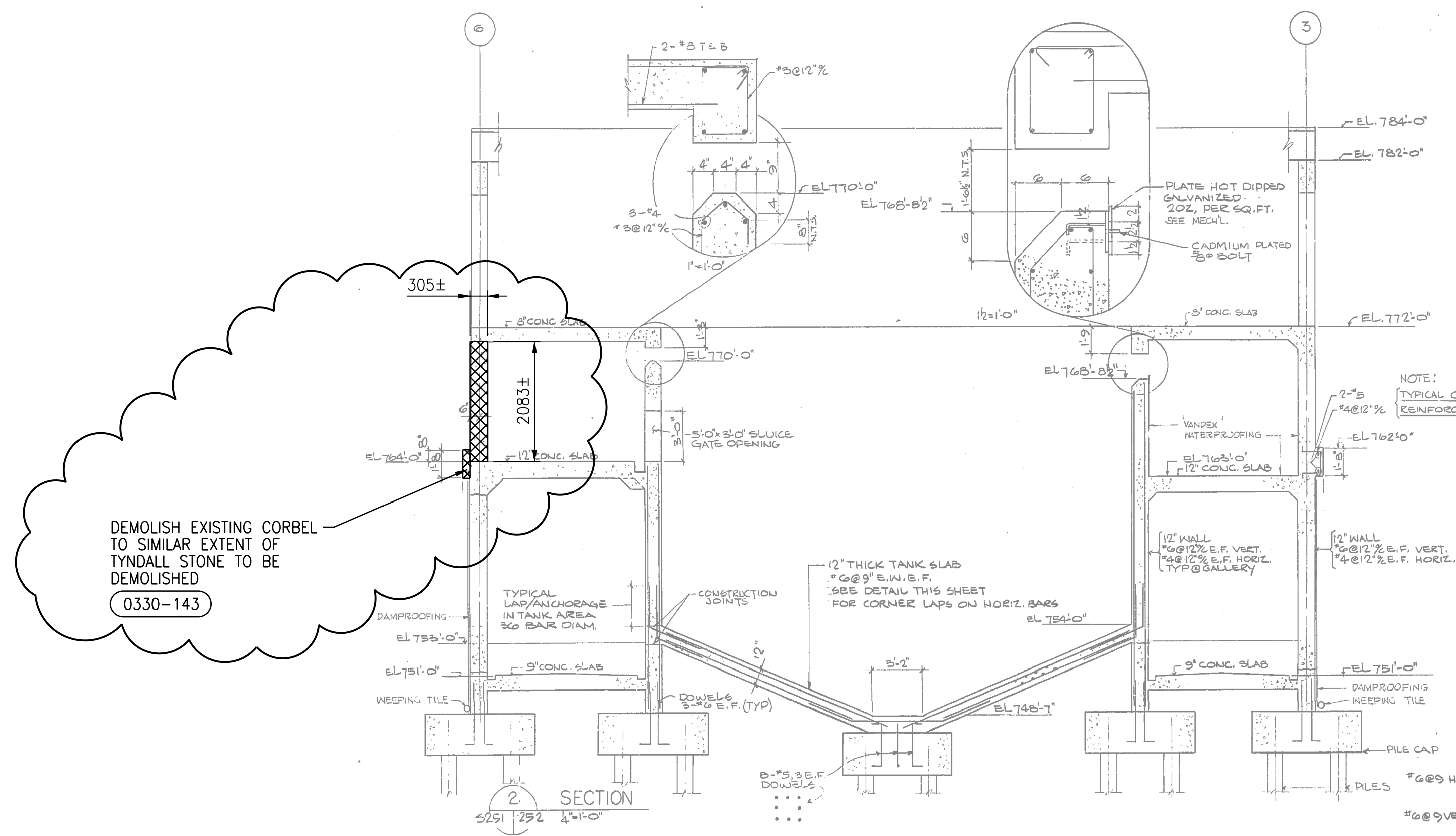
5 SECTION 5251/252 12' x 11'-0"



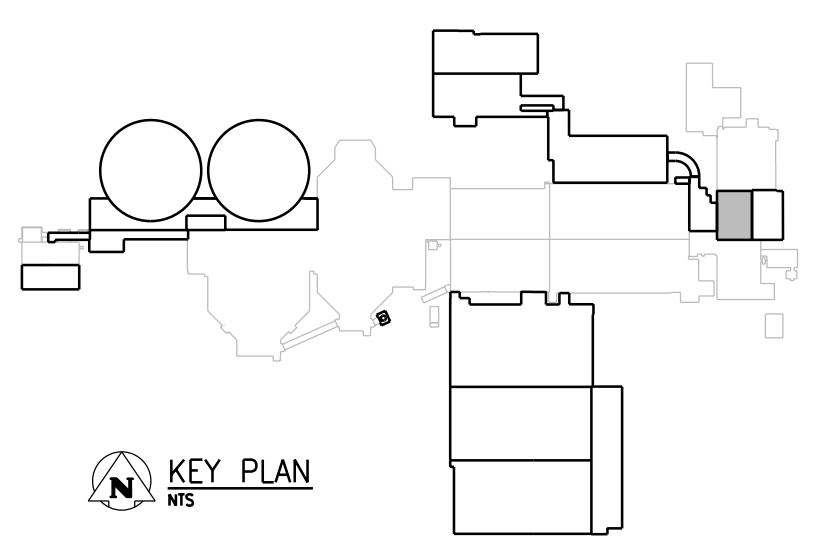
6 SECTION 5251/252 12' x 11'-0"



TYPICAL EXPANSION JOINT DETAIL IN FLOOR



SECTIONS AND DETAILS NTS



APEGM
Certificate of Authorization
CH2M HILL Canada Ltd.
No. 1441

00	ISSUED FOR TENDER	08/2015	G.O. J.C.
NO.	REVISIONS	DATE	DESIGN CHECK

CH2MHILL.
SNC-LAVALIN
DESIGNED BY: E. LUI
DRAWN BY: G. OMORI
SCALE: NTS
DATE: 2015/08/13

CHECKED BY: R. PARIKH
APPROVED BY: E. LUI
ISSUED FOR CONSTRUCTION BY: T. TURZAK
DATE: 2015/08/13

CONSULTANT NO.: 474248

ENGINEER'S SEAL
13 AUGUST 2015
PROVINCE OF MANITOBA
S.L.E. LUI
Member 37003
REGISTERED PROFESSIONAL ENGINEER

- NOTES:
- FOR NEW CONSTRUCTION SEE MECHANICAL HEADWORKS DRAWINGS.
 - REFER TO GENERAL DEMOLITION NOTES DRAWING 4-0102-DDTL-A002.

SEALING ARCHITECT OR ENGINEER ACCEPTS RESPONSIBILITY ONLY FOR AREAS IDENTIFIED BY CLOUDING ON THIS DRAWING.
NOTE: THIS DRAWING SUPERSEDES DRAWING SEP-38

THE CITY OF WINNIPEG
Winnipeg WATER AND WASTE DEPARTMENT
SOUTH END WATER POLLUTION CONTROL CENTRE
SEWPPC UPGRADING/EXPANSION PROJECT
STRUCTURAL
GRIT BUILDING
SECTIONS AND DETAILS
CITY DRAWING NUMBER 1-0102-SGAD-G050 SHEET 00 SIZE A1