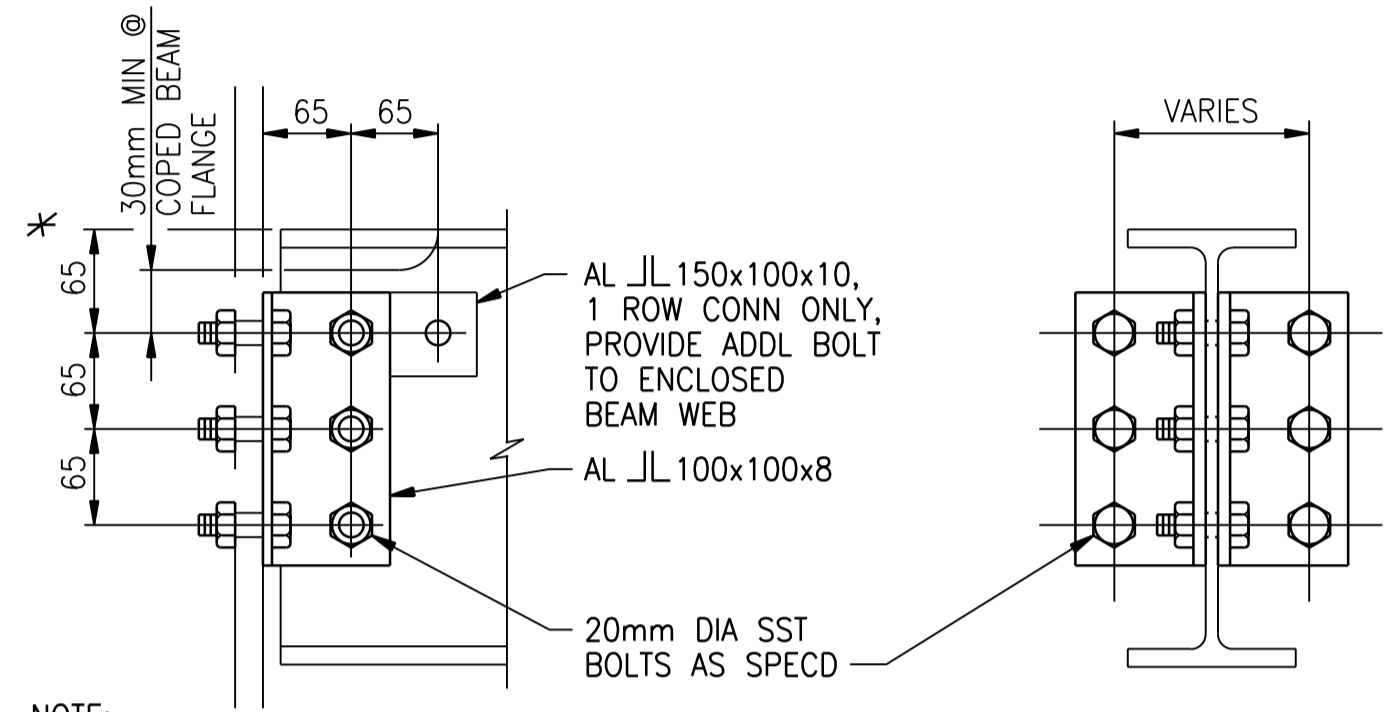


A1 - SIZE - 594mm x 841mm

ALUMINUM		
NOMINAL BEAM DEPTH, INCHES	ROWS OF BOLTS	LENGTH OF ANGLE
250	3	190
175-200-225	2	125
125-150	1	75
100	1	70

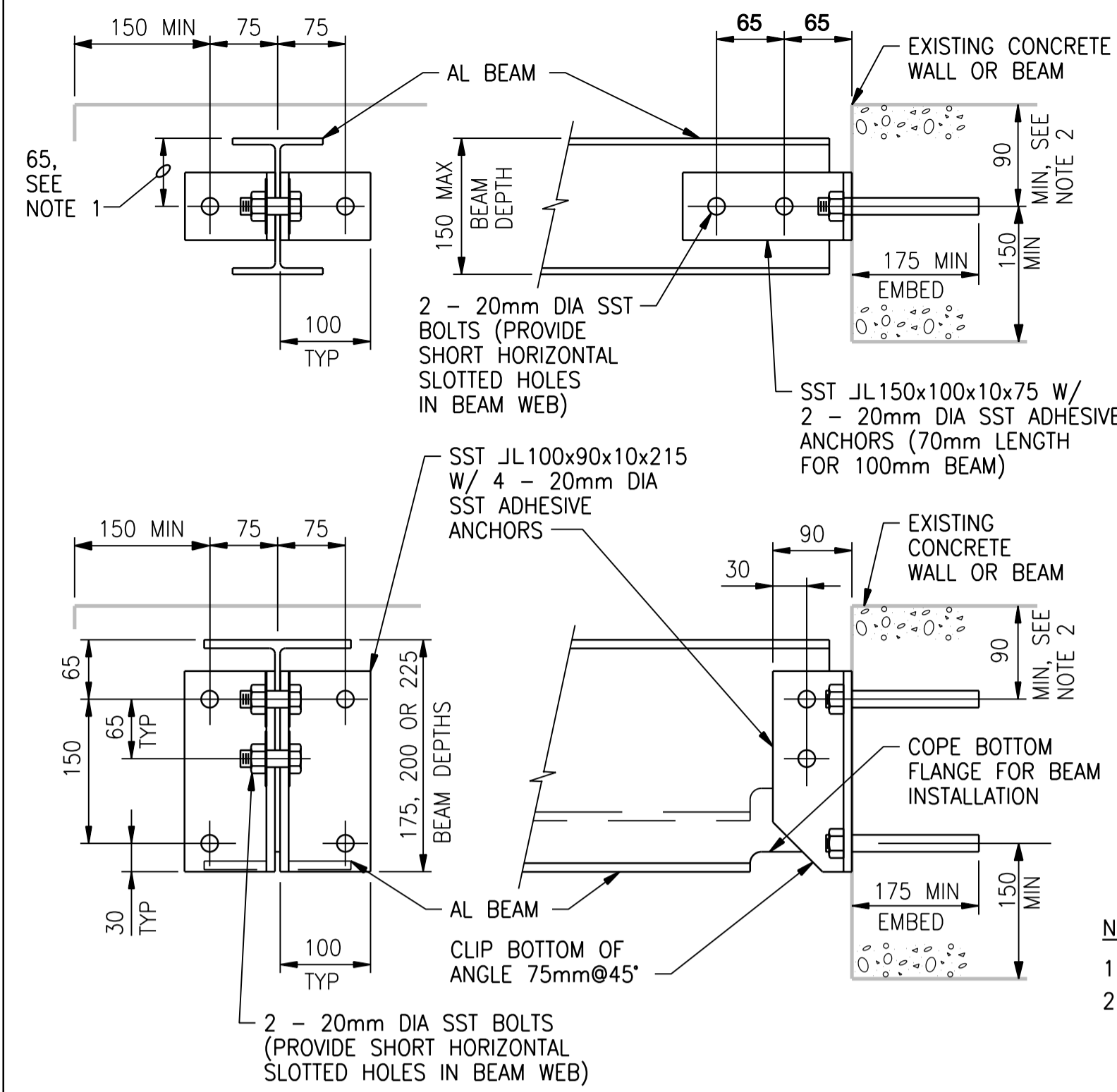
- NOTES:**
- NUMBER OF ROWS IS EQUAL TO NUMBER OF BOLTS TO ENCLOSED WEB.
 - ALL FRAMING CONNECTIONS SHALL CONFORM TO SCHEDULE UNLESS DETAILED OTHERWISE ON FRAMING PLANS.



NOTE:
* 65mm DIMENSION TYPICAL EXCEPT 50mm FOR 100mm BEAM.

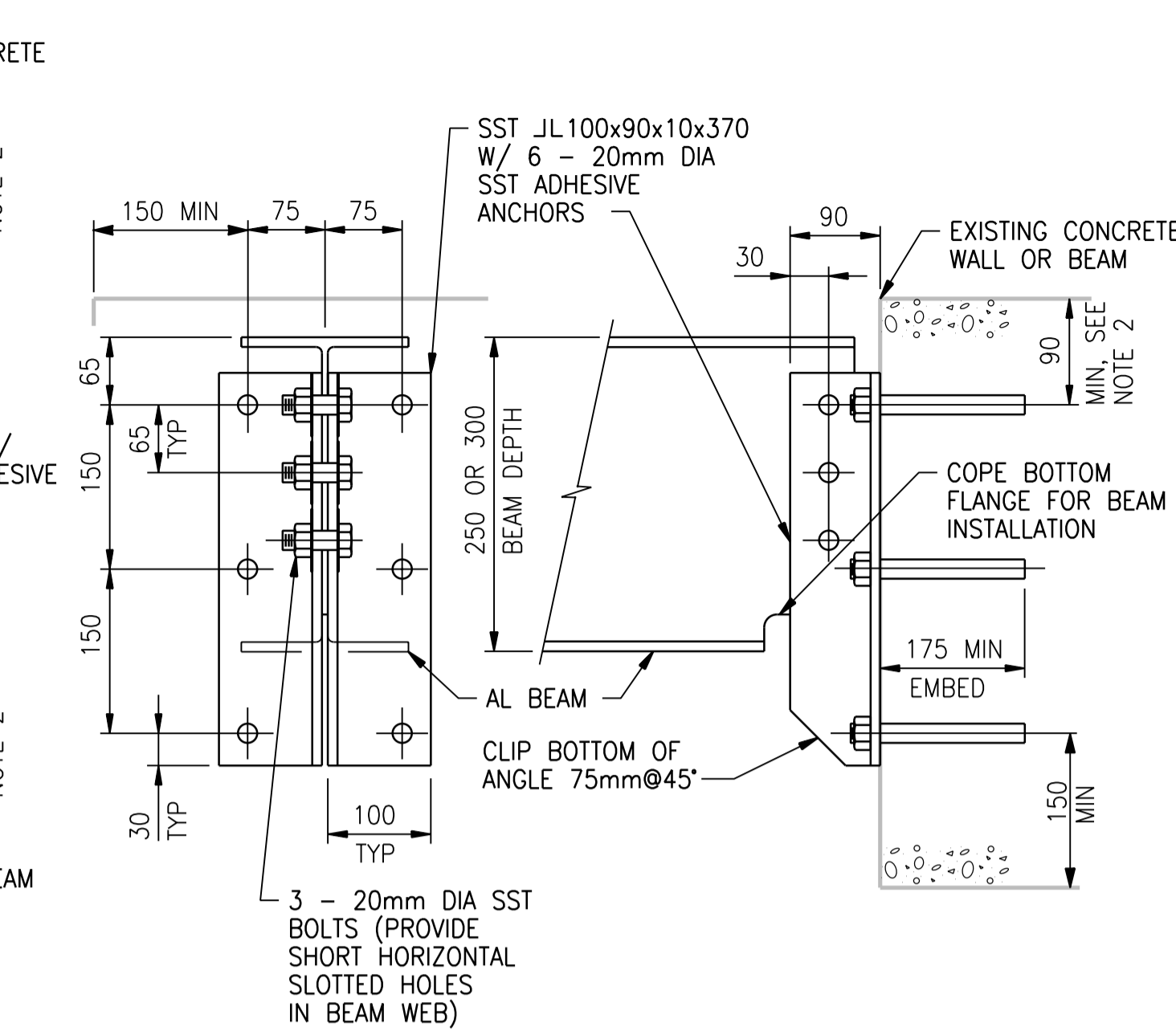
TYPICAL BEAM CONNECTION - ALUMINUM
NTS

0514-020



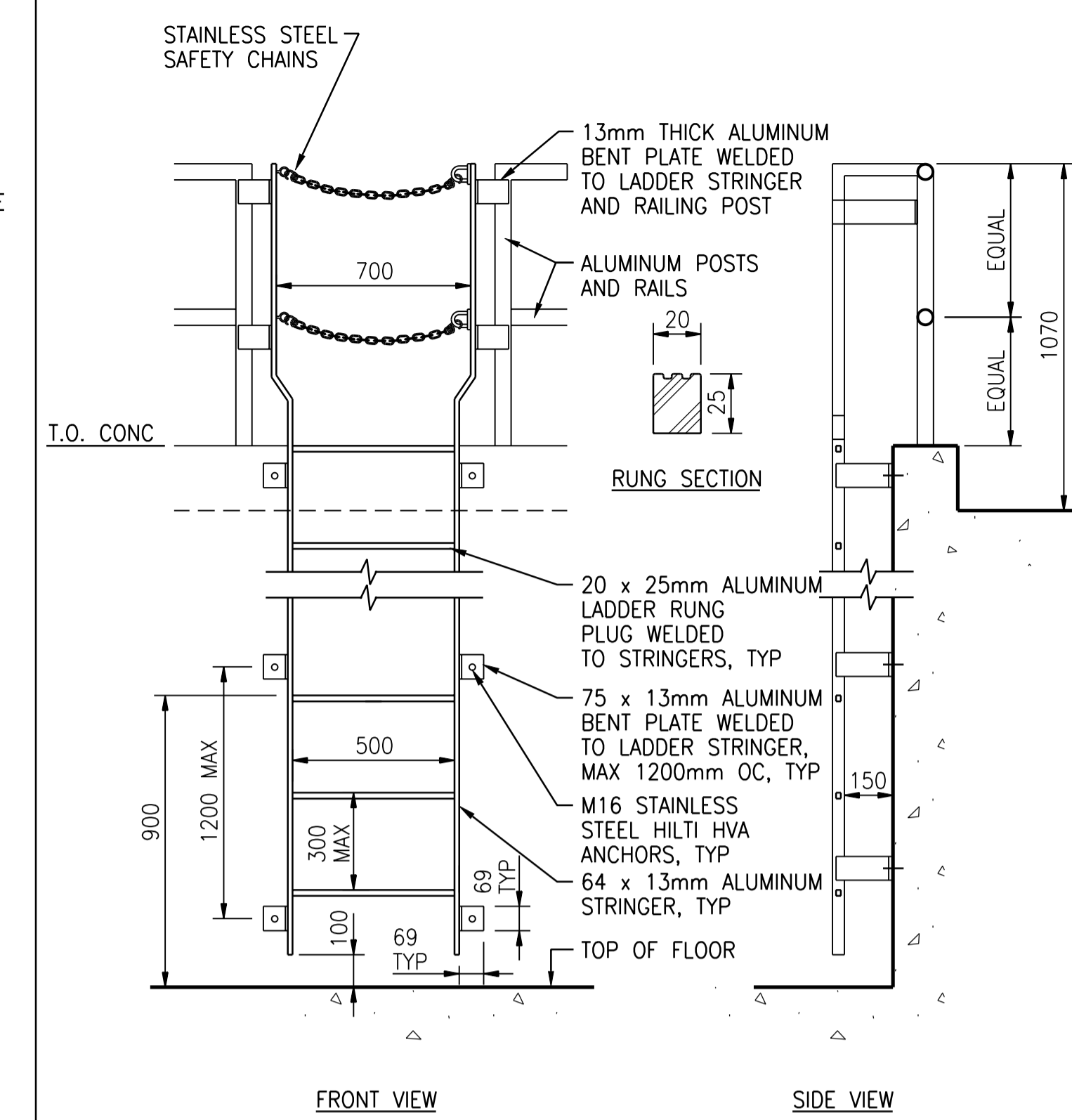
BEAM/WALL CONNECTION - ALUMINUM
NTS

0514-020



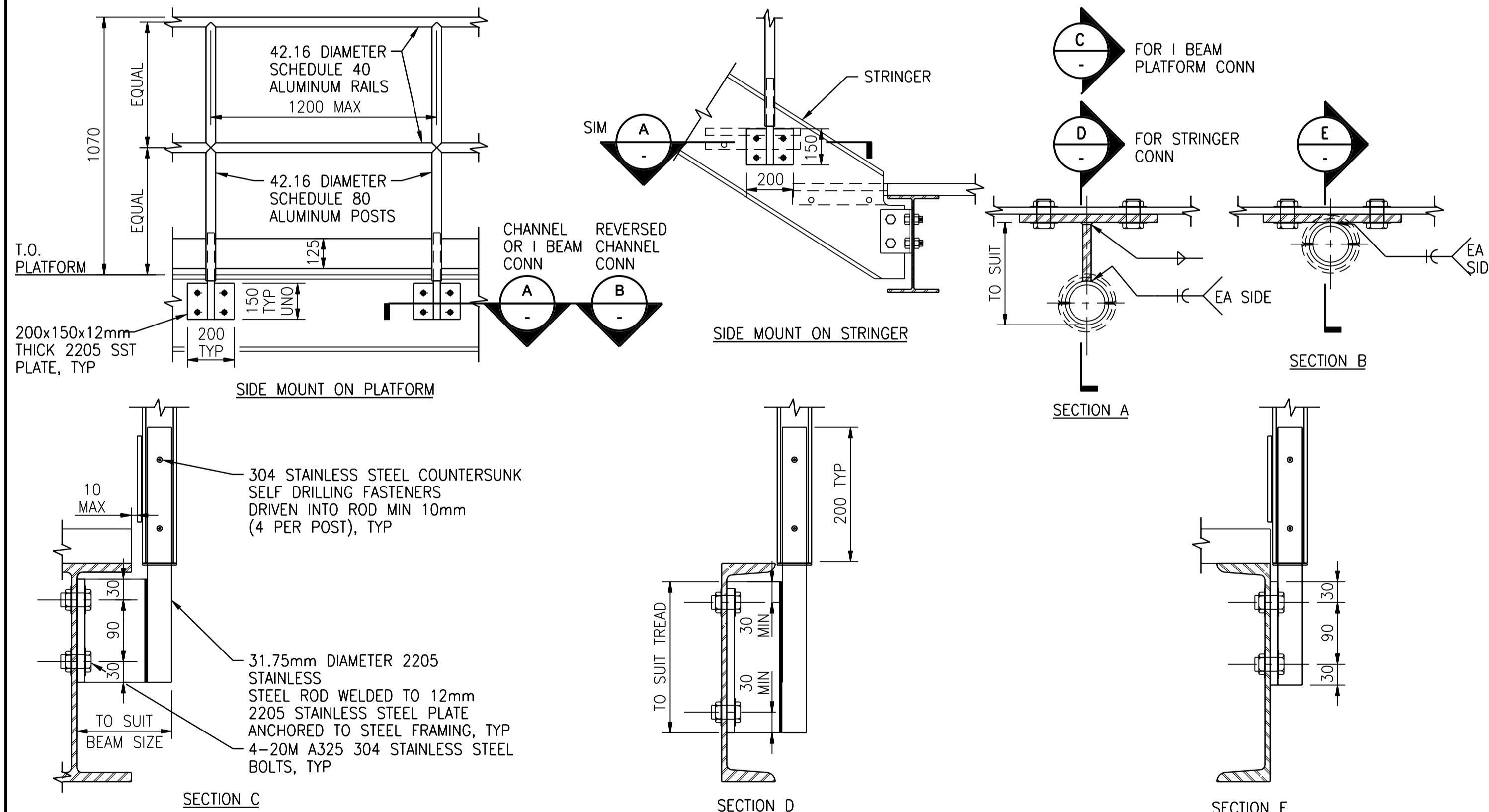
- NOTES:**
- 65mm DIMENSION TYPICAL EXCEPT 50mm FOR 100mm BEAMS.
 - DO NOT CUT EXISTING CONCRETE BEAM TOP REINFORCING DURING DRILL-IN ANCHOR INSTALLATION. FIELD LOCATE BEAM REINFORCING PRIOR TO FABRICATION. ADD LENGTH TO CLIP ANGLES AS REQUIRED TO LOWER ANCHORS TO CLEAR REINFORCING WHILE MAINTAINING SPACING AND EDGE DISTANCE AS SHOWN.
 - WHERE BOTH ENDS OF BEAM ARE ATTACHED TO A WALL, PROVIDE LONG HORIZONTALLY SLOTTED HOLES IN BEAM WEB AT ONE END. TIGHTEN NUTS SNUG TIGHT, BACK OFF 1/2 TURN, AND LOCK WITH DOUBLE NUT.

0514-056



TYPICAL ALUMINUM LADDER
NTS

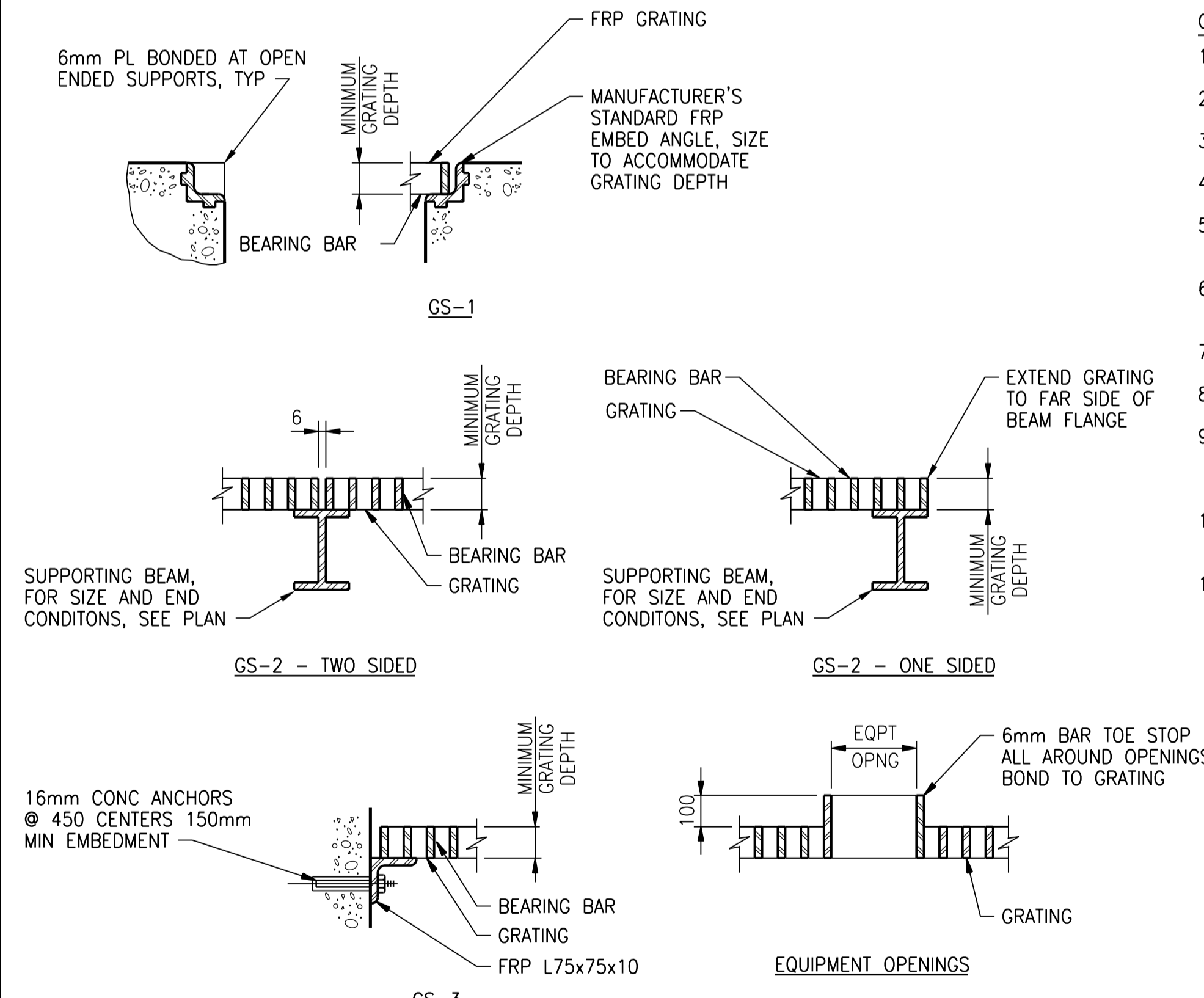
0552-830



SIDE MOUNTED GUARD ON ALUMINUM FRAMING
NTS

NOTE:
MINIMUM YIELD STRENGTH OF STAINLESS STEEL ROD AND PLATE TO BE 450 KPa. WELD ROD AND PLATE WITH A FILLER METAL OF MATCHING OR GREATER YIELD STRENGTH.

0552-818



STANDARD FRP GRATING
NTS

- GENERAL NOTES:**
- EXTEND GRATING CONTINUOUSLY OVER GATE GUIDES AND GATES.
 - NOTCH GRATING SUPPORTS AT GATES AS REQUIRED.
 - GRATING SPAN - SEE PLAN.
 - WIDTH OF GRATING SECTIONS SHALL NOT EXCEED 900mm.
 - SHOP DRAWINGS BASED ON FIELD DIMENSIONS SHALL BE SUBMITTED TO THE ENGINEER PRIOR TO FABRICATION.
 - UNLESS NOTED OTHERWISE ON PLANS, GRATING THICKNESS SHALL BE AS TABULATED IN TABLE BELOW
 - DESIGN LL = 4.8 kPa
 - PROVIDE SST GRATING FASTENERS AS REQUIRED.
 - THE HORIZONTAL CLEARANCE BETWEEN THE GRATING AND GRATING SUPPORTS SHALL NOT BE LESS THAN 6mm NOR GREATER THAN 13mm.
 - ALL GRATING SECTIONS, WHEN IN PLACE, SHALL ALWAYS BE FIRMLY ANCHORED TO THEIR SUPPORTS.
 - PROVIDE MINIMUM 38mm BEARING FOR ALL FRP GRATING.

FOOT TRAFFIC		
MAXIMUM SPAN	MINIMUM GRATING DEPTH	GRATING TYPE
1050	40	M OR P
1200	40	M OR P
1350	40	M OR P
1500	50	P
1650	50	P

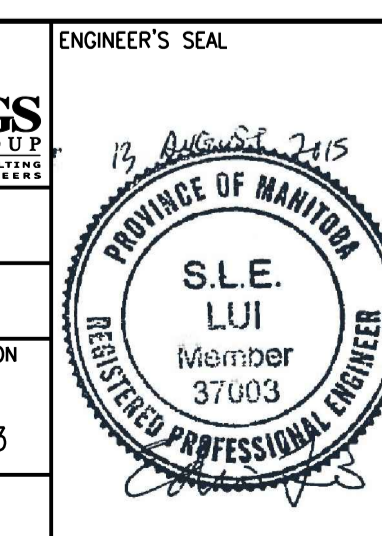
* M = MOLDED GRATING
P = PULTRUDED GRATING

0682-030



NO.	REVISIONS	DATE	DESIGN	CHECK
00	ISSUED FOR TENDER	08/2015	G.O. J.C.	

CH2MHILL.		KCS GROUP CONSULTING	
DESIGNED BY: E. LUJ	CHECKED BY: R. PARIKH	ISSUED FOR CONSTRUCTION BY: T. TURZAK	DATE: 2015/08/13
DRAWN BY: G. OMORI	APPROVED BY: E. LUJ	DATE: 2015/08/13	CONSULTANT NO.: 474248



THE CITY OF WINNIPEG
WATER AND WASTE DEPARTMENT

SOUTH END WATER POLLUTION CONTROL CENTRE
SEWPPC UPGRADE/EXPANSION PROJECT
STRUCTURAL
STANDARD DETAILS (12)

CITY DRAWING NUMBER: 1-0102-SDTL-A013
SHEET: 00
REV: A1
SIZE: A1

©CH2M HILL 2015. ALL RIGHTS RESERVED.