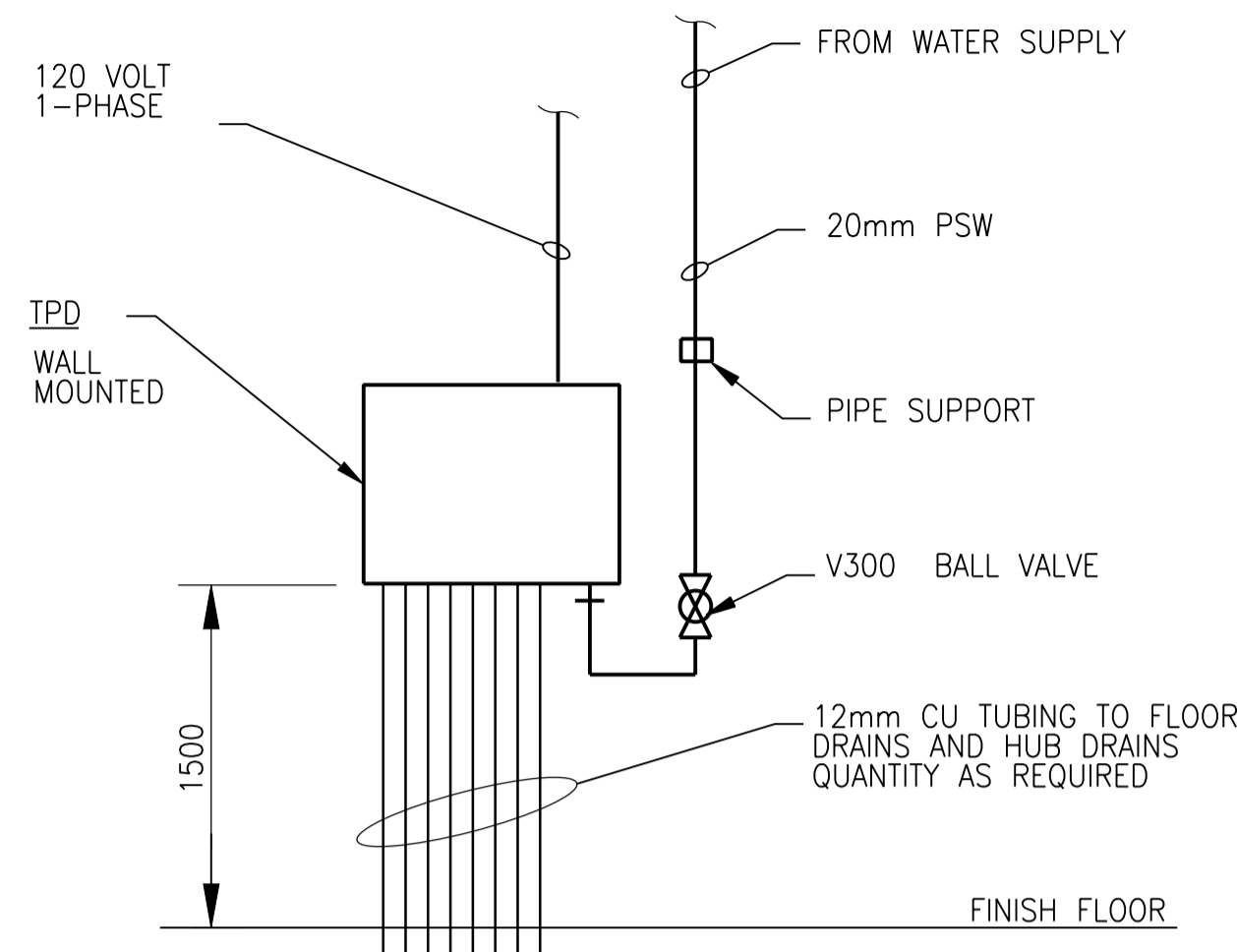


- NOTES:
1 DO NOT CONNECT PRESSURE GAUGE LINES TO SEAL FLUSH LINES.
2 PRESSURE GAUGE LINES TO BE SCHED 40 BLACK STEEL.

TYPICAL VERTICAL IN-LINE PUMP DETAIL
NTS

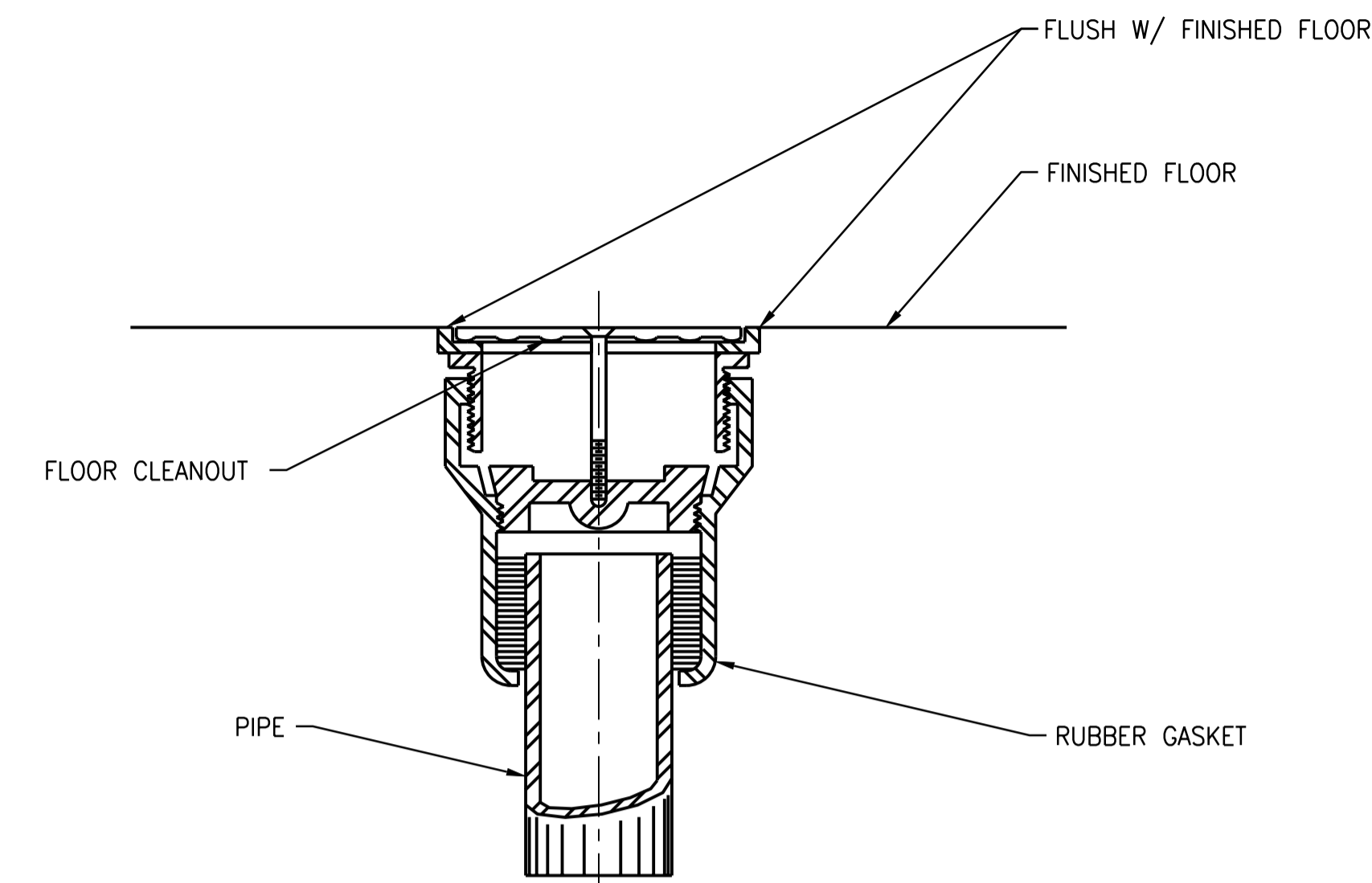
2210-901



ELEVATION

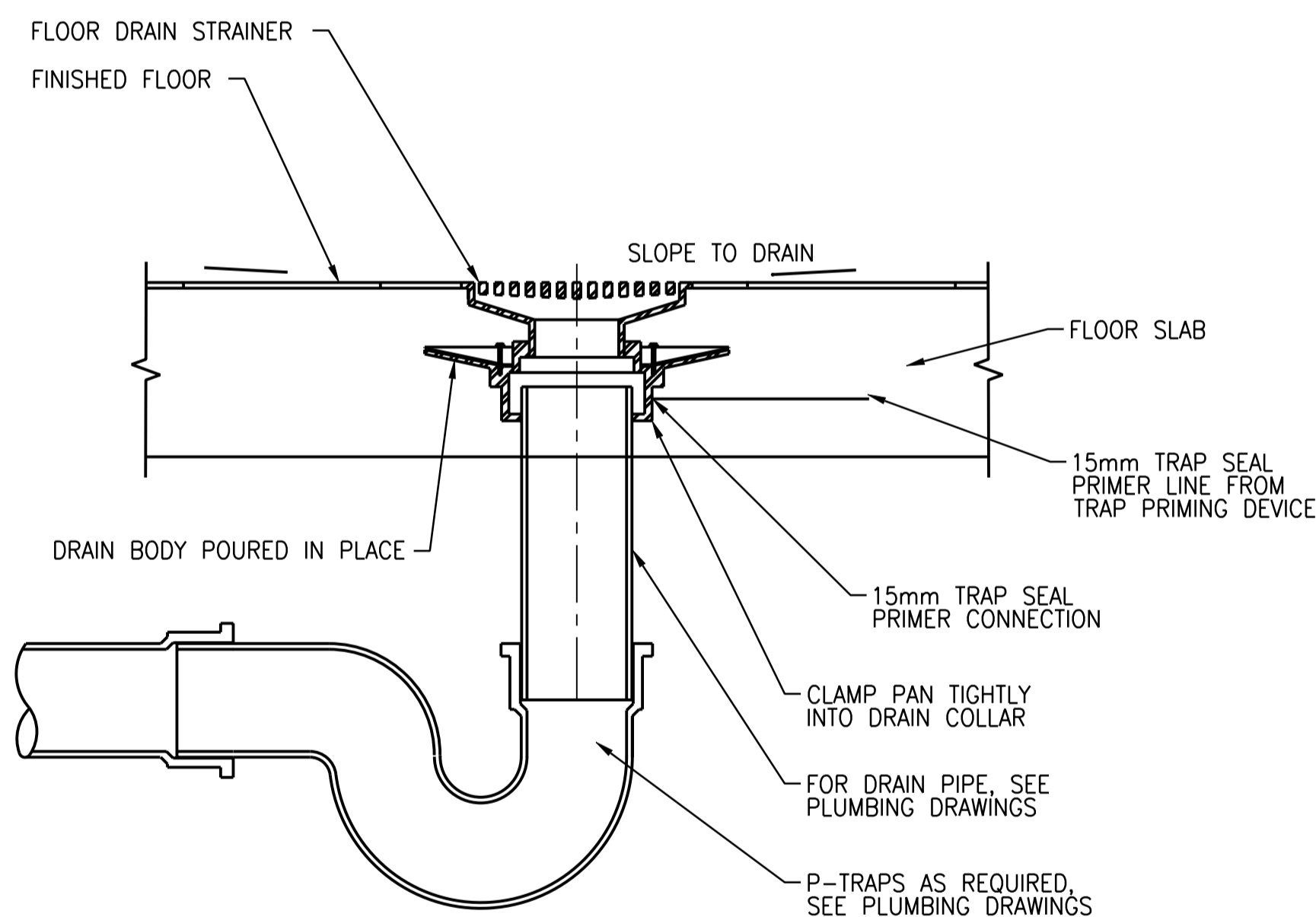
ELECTRONIC TRAP PRIMER
NTS

2213-411



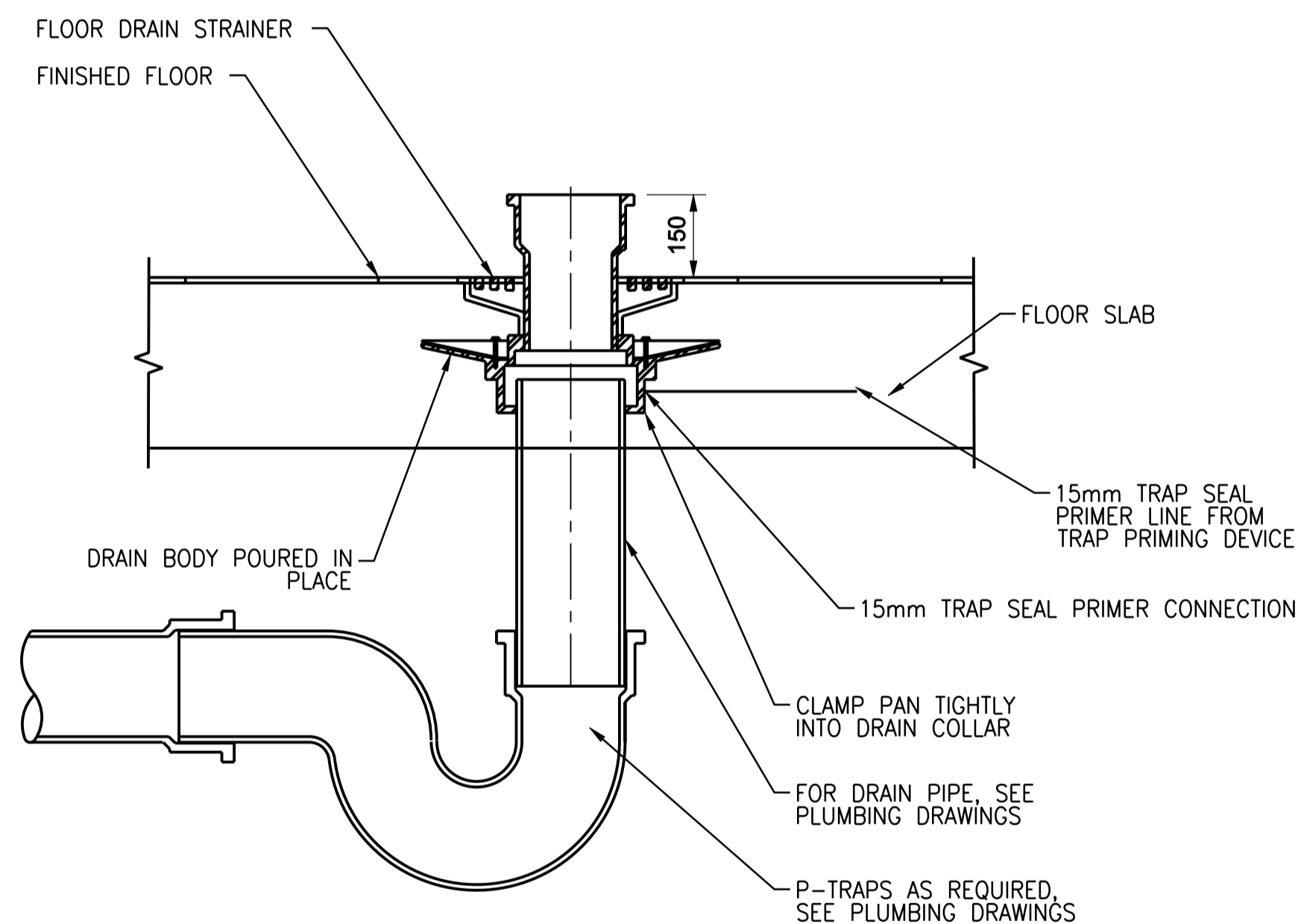
FLOOR CLEANOUT

2213-501



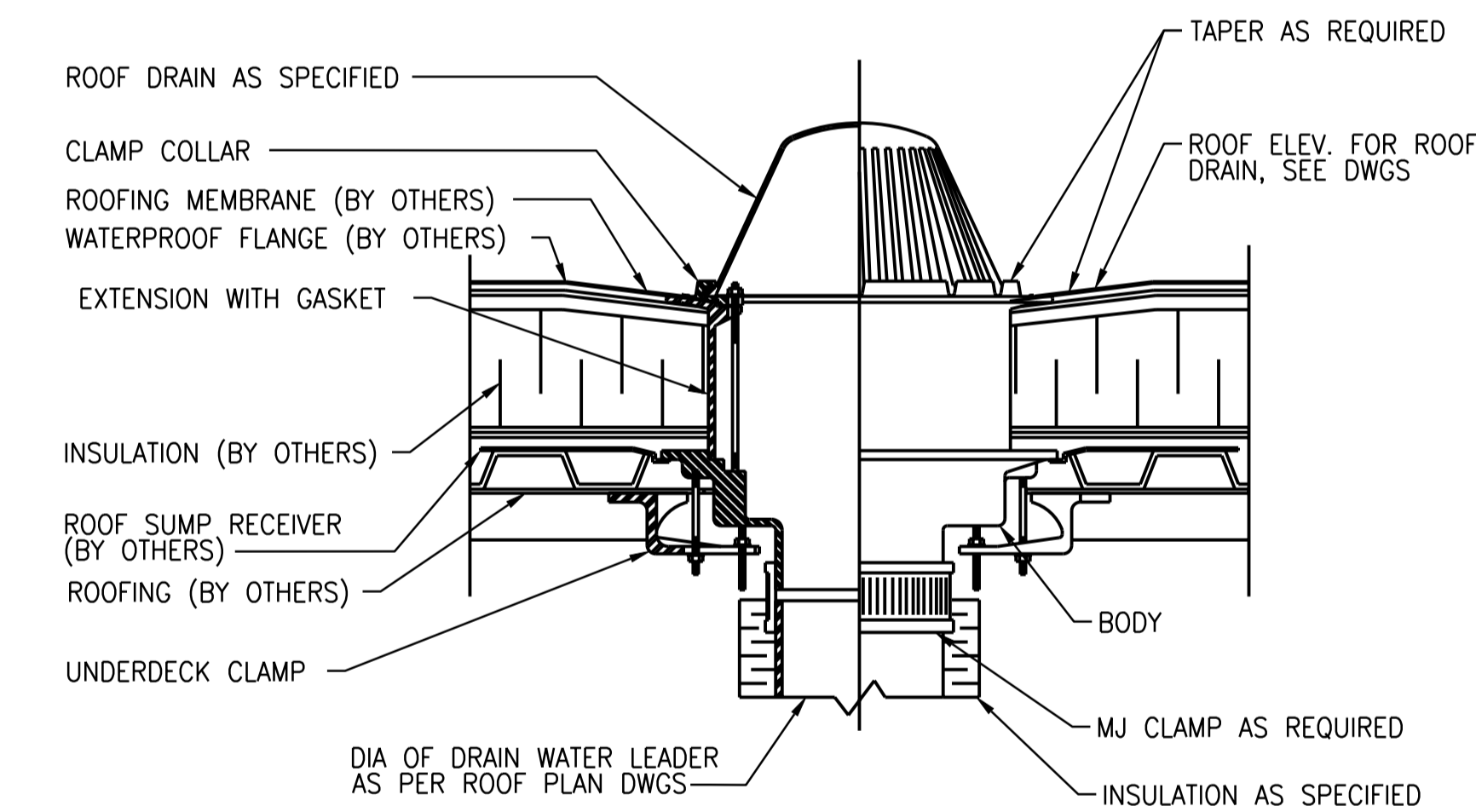
FLOOR DRAIN
NTS

2213-502



FUNNEL FLOOR DRAIN
NTS

2213-503



- NOTE:
1. LOCATION AND SIZE OF ROOF DRAIN, SEE ROOFING PLAN DWGS.

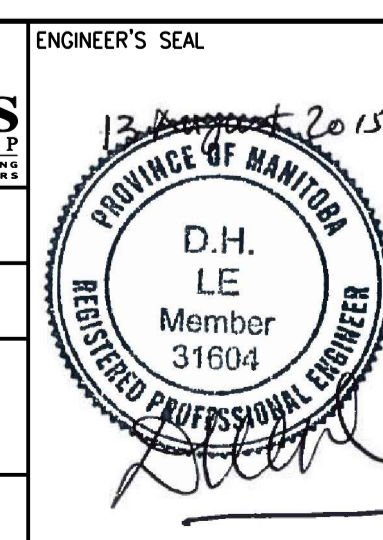
ROOF DRAIN (RD-1)
NTS

2213-504



00	ISSUED FOR TENDER	08/2015	K.F.	J.C.
NO.	REVISIONS	DATE	DESIGN	CHECK

CH2MHILL.	
DESIGNED BY: T. TRAN	CHECKED BY: D. LE
DRAWN BY: K. FONG	APPROVED BY: T. TRAN
SCALE: NTS	ISSUED FOR CONSTRUCTION BY: T. TURZAK
DATE: 2015/08/13	DATE: 2015/08/13
CONSULTANT NO.: 474248	



ENGINEER'S SEAL

THE CITY OF WINNIPEG
WATER AND WASTE DEPARTMENT

SOUTH END WATER POLLUTION CONTROL CENTRE
SEWPCC UPGRADING/EXPANSION PROJECT
MECHANICAL
PLUMBING
STANDARD DETAILS (2)

CITY DRAWING NUMBER
1-0102-MDTL-A003

SHEET REV. SIZE
00 A1