

LEGEND

	=			=	HIGH BAY LUMINAIRE X = TYPE (REFER TO SCHEDULE)
	=			=	LUMINAIRE, 610mm LENGTH X = TYPE (REFER TO SCHEDULE)
	=			=	LUMINAIRE, 1220mm LENGTH X = TYPE (REFER TO SCHEDULE)
	=			=	LUMINAIRE, ALWAYS "ON" (E.M. & NIGHT LIGHT) X = TYPE (REFER TO SCHEDULE)
	=			=	CEILING MOUNTED LED LUMINAIRE X = TYPE (REFER TO SCHEDULE)
	=			=	WALL MOUNTED LED LUMINAIRE X = TYPE (REFER TO SCHEDULE)
	=			=	YOKE / HANDRAIL MOUNTED LED LUMINAIRE X = TYPE (REFER TO SCHEDULE)
	=			=	SINGLE POLE TOGGLE SWITCH (C = DENOTES SWITCHING ARRANGEMENT 3 = 3-WAY SWITCH)
		DIRECTION OF EXIT SIGN:		=	TWO GANGED SINGLE POLE TOGGLE SWITCHES (J, H = DENOTES SWITCHING ARRANGEMENT 3 = 3-WAY SWITCH)
				=	OCCUPANCY SENSOR SWITCH (A = DENOTES SWITCHING ARRANGEMENT)
				=	OVERRIDE PUSH BUTTON C/W OCCUPANCY SENSOR (A = DENOTES SWITCHING ARRANGEMENT)
				=	PHOTOCELL
				=	WALL MOUNTED SWITCH C/W OCCUPANCY SENSOR
				=	OCCUPANCY SENSOR (P = DENOTES SWITCHING ARRANGEMENT)

GENERAL NOTES:

1. INSTALLATION MUST COMPLY WITH THE CANADIAN ELECTRICAL CODE, THE NATIONAL BUILDING CODE OF CANADA, AND CITY OF WINNIPEG ELECTRICAL BYLAW.
2. PROVIDE ALL NECESSARY MOUNTING ACCESSORIES FOR INSTALLATION OF NEW RUNNING MAN EXIT SIGNS.
3. IT IS THE RESPONSIBILITY OF THE ELECTRICAL CONTRACTOR TO CONFIRM EXACT CIRCUIT NUMBERS ON SITE. MODIFICATION OF CIRCUIT NUMBERING DURING CONSTRUCTION WILL NOT CONSTITUTE AN EXTRA TO THE CONTRACT.
4. EXIT SIGNS ARE TO BE INSTALLED IN ACCORDANCE WITH THE SIGN ORIENTATIONS SHOWN ON THE DRAWING TO INDICATE THE REQUIRED EGRESS PATH IN ACCORDANCE WITH BUILDING AND LOCAL AUTHORITY REQUIREMENTS.

EXIT SIGN SCHEDULE

TYPE (EX)	DESCRIPTION	MANUFACTURER	MODEL	VOLTS (VAC)	LOAD	NOTES
E1	LN SERIES, NEMA 4X RATED, SINGLE-FACED	LUMACELL	LN1WU00	120-347	LESS THAN 2.5W	
E2	LN SERIES, NEMA 4X RATED, DOUBLE-FACED	LUMACELL	LN2WU00	120-347	LESS THAN 2.5W	
E3	LA SERIES, EXTRUDED ALUMINIUM EXIT SIGN, SINGLE-FACED	LUMACELL	LA1WU00	120-347	LESS THAN 2.5W	
E4	LA SERIES, EXTRUDED ALUMINIUM EXIT SIGN, DOUBLE-FACED	LUMACELL	LA2WU00	120-347	LESS THAN 2.5W	
E5	LH SERIES, HAZARDOUS LOCATIONS (CLASS I, ZONE 2), SINGLE-FACED	LUMACELL	LH1GU00	120-347	LESS THAN 2.5W	1
E6	DIRECTION WAY GUIDANCE SIGNS, PHOTOLUMINESCENT EXIT SIGN, RIGHT ARROW	THOMAS & BETTS	PL4344GR	N/A	N/A	2
E7	DIRECTION WAY GUIDANCE SIGNS, PHOTOLUMINESCENT EXIT SIGN, LEFT ARROW	THOMAS & BETTS	PL4343GR	N/A	N/A	2
E8	LAC SERIES, EXTRUDED ALUMINIUM COMBINATION UNIT, SINGLE-FACED	LUMACELL	LAC1W672LD1AT	120-347	0.15A	3
E9	LX SERIES, HAZARDOUS LOCATIONS (CLASS 1, DIV. 1), SINGLE-FACED	LUMACELL	LX1S1P120	120	MAX. 4W	4,5

SPECIFIC NOTES:

1. CLASS I, ZONE 2 RATED.
2. ONLY USED IN STAIRWELLS.
3. UNIT IS EQUIPPED WITH BATTERY AND EMERGENCY LIGHTING HEADS.
4. CLASS I, ZONE 1 RATED.
5. RSTP TRANSFER PANEL (LUMACELL P/N: 347/120RSTP25) TO POWER THE 120 VAC LX SERIES FROM 347 VAC POWER SOURCE.

LUMINAIRE SCHEDULE

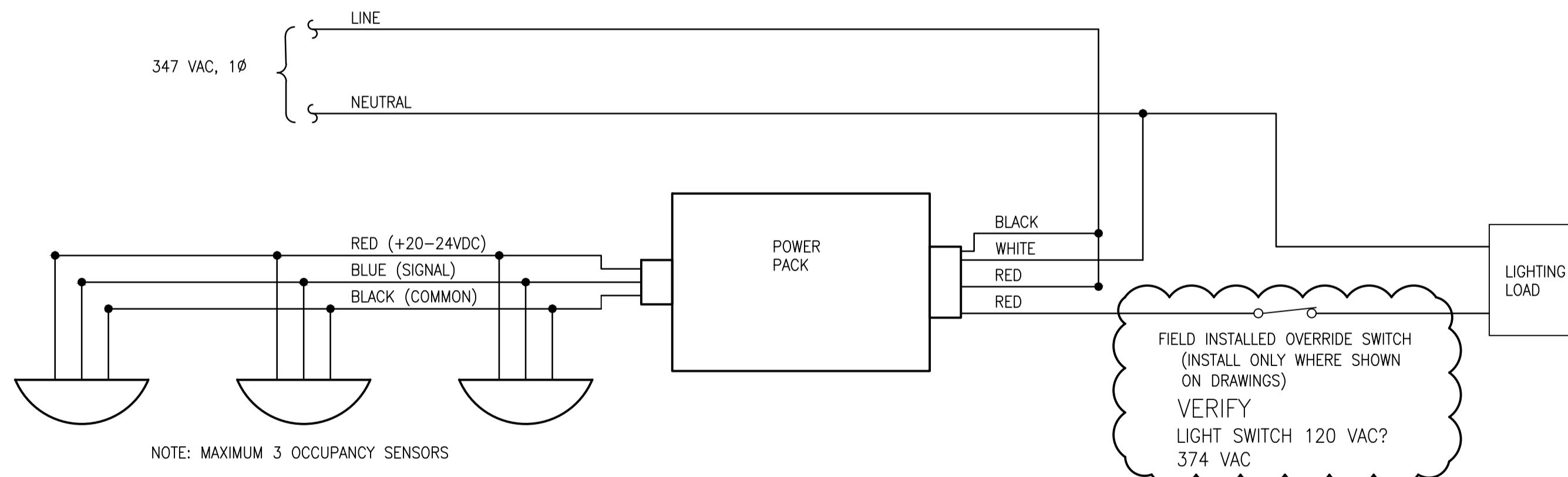
TYPE	MANUFACTURER	MODEL	LAMP TYPE	VOLTS (VAC)	LOAD	MOUNTING	NOTES
A	PHILIPS	HBX13LL40-347-M-WT	LED	347	106 W	PH	
B	APPLETON	AMLED-6-7-Y-BH / AMLEDSF1	LED	347	76 W	Y / SP	1
C	PHILIPS CFI	DWAE232-347, <10% THD, INSTANT START	2-T8	347	64 W	CS	
D	KENALL	TES8-48-1-45L40K-DCC-1-120-P5H-PP	LED	347	50 W	TRC / CS	2
E	KENALL	TES8-48-1-100L40K-DCC-1-347-P5H-PP	LED	347	113 W	TRC / CS	2
F	KENALL	TES8-48-1-50L40K-DCC-1-DV-P5H-PP	LED	120	58 W	TRC / CS	
G	CFI	DWAE232-347-EB10I	T8	347	54 W	SH/CS	
H	NOT USED						
J	PHILIPS	LP32T	LED	347	71 W	W	
K	PHILIPS	LP32T / R10855	LED	347	71 W	W	3
L	APPLETON	LLEDA15BC2	LED	347	46 W	TRC / SH	1
M	APPLETON	LLEDA17BC2	LED	347	82 W	CS	1
N	CFI	SPS2GFSVA33212003	3-T8	120	3X32 W	R/TB	
O	CFI	HWC232-120 / FKR-126	2-T8	120	53 W	CH	
P	CFI	2LP3CGS332-36AL-UNV-1/3EB10I	3-T8	120	90 W	R/TB	
R	CFI	1TCB232-21-UNV-CM-2W	2-T8	120	56 W	R/TB	
S	PHILIPS	C4LJON1VBZ10V/C4L10DL35KCLWVB	LED	120V	14 W	R/TB	
X		EXISTING LIGHTING					
EA	LUMACELL	MQM2LD1	LED	6 VDC	2X4W	W	4

MOUNTING LEGEND:

CH	CHAIN	R/TB	RECESSED / T-BAR	B	BRACKET
CS	CEILING SURFACE	W	WALL	SP	SLIP-FITTER/POST
PH	PENDANT HANGER	TRC	THREADED ROD AND CHANNEL	SH	STEM HUNG
Y	YOKE	AN	AS NOTED ON DRAWINGS	CH	CHAIN HUNG

SPECIFIC NOTES:

1. CLASS I, ZONE 1 RATED.
2. FIXTURE C/W 347/120 VAC INTEGRAL STEPDOWN TRANSFORMER.
3. FIXTURE C/W INTEGRAL 347 VAC PHOTOCELL.
4. REMOTE EMERGENCY HEAD LIGHTING FIXTURE.



OCCUPANCY SENSOR WIRING DETAIL (TYP.)

NTS



DESIGNED BY: S. JUGANAS	CHECKED BY: D. BECKER
DRAWN BY: G. WILLIAMSON	APPROVED BY: D. BECKER
SCALE: NTS	ISSUED FOR CONSTRUCTION BY: DATE:
DATE: 2015/02/04	DATE:
CONSULTANT NO.:	474248

CH2MHILL.
SNC-LAVALIN
 KCS GROUP CONSULTING ENGINEERS

ENGINEER'S SEAL

PRELIMINARY
 NOT FOR CONSTRUCTION

THE CITY OF WINNIPEG
 WATER AND WASTE DEPARTMENT

SOUTH END WATER POLLUTION CONTROL CENTRE
 SEWPCC UPGRADING/EXPANSION PROJECT
 ELECTRICAL
 SCHEDULE
 LUMINAIRE AND EXIT SIGNS

CITY DRAWING NUMBER: 1-0102-ESCH-A002
 SHEET: 001
 REV: 00
 SIZE: A1

DRAWING NUMBER	REFERENCE DRAWINGS
----------------	--------------------