

**FORM A: BID**  
(See B8)

1. Contract Title SUPPLY & DELIVERY OF A (3) WHEELED STREET SWEEPER

2. Bidder

\_\_\_\_\_  
Name of Bidder

\_\_\_\_\_  
Usual Business Name of Bidder as it appears on Invoice (if different from above)

\_\_\_\_\_  
Street

\_\_\_\_\_  
City

\_\_\_\_\_  
Province

\_\_\_\_\_  
Postal Code

\_\_\_\_\_  
Email Address of Bidder

\_\_\_\_\_  
Facsimile Number

(Mailing address if different)

\_\_\_\_\_  
Street or P.O. Box

\_\_\_\_\_  
City

\_\_\_\_\_  
Province

\_\_\_\_\_  
Postal Code

\_\_\_\_\_  
GST Registration Number (if applicable)

The Bidder is:

(Choose one)

a sole proprietor

a partnership

a corporation

carrying on business under the above name.

3. Contact Person

The Bidder hereby authorizes the following contact person to represent the Bidder for purposes of the Bid.

\_\_\_\_\_  
Contact Person

\_\_\_\_\_  
Title

\_\_\_\_\_  
Telephone Number

\_\_\_\_\_  
Facsimile Number

\_\_\_\_\_  
Email Address

4. Definitions

All capitalized terms used in the Contract shall have the meanings ascribed to them in the General Conditions and D3.

5. Offer The Bidder hereby offers to perform the Work in accordance with the Contract for the price(s), in Canadian funds, set out on Form B: Prices, appended hereto.

6. Commencement of the Work The Bidder agrees that no Work shall commence until he/she is in receipt of a notice of award from the Award Authority authorizing the commencement of the Work.

7. Contract The Bidder agrees that the Bid Opportunity in its entirety shall be deemed to be incorporated in and to form a part of this offer notwithstanding that not all parts thereof are necessarily attached to or accompany this Bid.

8. Addenda The Bidder certifies that the following addenda have been received and agrees that they shall be deemed to form a part of the Contract:

No.	_____	Dated	_____
	_____		_____
	_____		_____

9. Time This offer shall be open for acceptance, binding and irrevocable for a period of sixty (60) Calendar Days following the Submission Deadline.

10. Signatures The Bidder or the Bidder's authorized official or officials have signed this \_\_\_\_\_ day of \_\_\_\_\_, 20\_\_\_\_.

Signature of Bidder or  
Bidder's Authorized Official or Officials

\_\_\_\_\_  
\_\_\_\_\_  
(Print here name and official capacity of individual whose signature appears above)

\_\_\_\_\_  
\_\_\_\_\_  
(Print here name and official capacity of individual whose signature appears above)

**FORM B: PRICES**  
(See B9)

SUPPLY & DELIVERY OF A (3) WHEELED STREET SWEEPER

UNIT PRICES

ITEM NO.	DESCRIPTION	SPEC. REF.	UNIT	QUANTITY	UNIT PRICE
1.	(3) Wheeled Street Sweeper	15001	Each	(1)	

\_\_\_\_\_  
Name of Bidder

## FORM N: DETAILED SPECIFICATIONS 15001

### **(3) Wheeled Street Sweeper**

#### **1.0 DESCRIPTION OF EQUIPMENT/APPLICATION**

- 1.1 **Description-** These specifications describe a **(3) Wheeled Street Sweeper** and other equipment and features as specified herein.
- 1.2 The **(3) Wheeled Street Sweeper** shall be a new 2015 model year or newer.
- 1.3 The **(3) Wheeled Street Sweeper** and all other items/components shall be the manufacturer's latest model. The equipment shall be furnished complete and ready for operation. Any parts or accessories not specifically mentioned, but which are required to complete and place the equipment and associated attachments in successful operation shall be furnished as though specifically mentioned in these specifications. The equipment and associated attachments, and all parts thereof, shall conform in strength and quality of material and workmanship, to the best standards and engineering practice of the industry.
- 1.4 It will be the responsibility of the Bidder to inform the City of any errors or omissions in these specifications, for under this Contract the Contractor shall be held responsible for the satisfactory operational function of the equipment.

#### **2.0 OTHER SPECIFICATIONS AND STANDARDS**

- 2.1 All applicable SAE standards form an integral part of these specifications and shall have precedence in any conflict concerning minimum acceptable standards.
- 2.2 The **(3) Wheeled Street Sweeper** shall comply with the applicable regulations:
- National Safety Mark, NSM
  - Manitoba Safety and Health Act, Parts 12, 22
  - Canadian Standards Association, CSA
  - Under Writers of Canada, U/L
  - Society of Automotive Engineers, SAE
  - City of Winnipeg Lighting Visibility  
Standard=<http://winnipeg.ca/matmgt/pdfs/PublicWorksEquipLightingVisibility.pdf>.
- 2.3 It will be the responsibility of the Bidder to inform the City of any deficiencies in these specifications, for under this Contract the Contractor shall be held responsible for the design, performance, reliability and satisfactory operational function of the units.

#### **3.0 SERVICE FACILITY-**

- 3.1 For the purpose of warranty repairs, the supplier shall have an authorized service facility located within 10 kilometres of the boundaries of the City of Winnipeg. The facility, or a portion thereof, shall be dedicated to the service and maintenance of the type equipment being offered. Further to B9.1, Bidders shall provide a description of the service facility including, but not limited to, number of qualified service staff, years of service experience, and general service capabilities within three (3) Business Days upon request of the Contract Administrator.
- 3.2 If a suitable warranty facility is not available within 10 km of the boundaries of the City of Winnipeg, the Bidder may propose that the City of Winnipeg Repair Facility perform warranty work. Any Work performed by the City of Winnipeg Repair Facility shall be charged to the Contractor at the Facility's shop rate in effect at the time the work is performed (for example, shop rate for 2015: \$88.00/hour and \$ 112.00/hour for overtime and callout).

3.3 **Location of the service facility located within 10 km of the boundaries of the City of Winnipeg.**

The Bidder shall choose and fill in **one (1)** of the Clauses listed below. --- **3.4) OR 3.5)**

3.4 Bidder's own facility location. State the location of the service facility below.

\_\_\_\_\_

3.5 Bidder elects to have warranty work be performed by the City of Winnipeg Repair Facility.

\_\_\_\_\_

**4.0 REFERENCES**

4.1 If available, please provide five (5) Canadian references where this equipment is used in a working environment where climatic conditions are similar to the City of Winnipeg.

\_\_\_\_\_  
\_\_\_\_\_  
\_\_\_\_\_  
\_\_\_\_\_

**5.0 MAKE & MODEL**

5.1 **State** make and model of Street Sweeper being bid- \_\_\_\_\_

**6.0 INSTRUCTIONS FOR COMPLETION OF SPECIFICATIONS**

6.1 Each bid will be evaluated based on adherence to all terms, conditions and requirements outlined in the Bid Opportunity package.

6.2 All items in these specifications must be answered indicating compliance or non-compliance. **BIDDERS SHALL STATE "YES" FOR COMPLIANCE OR STATE DEVIATION**, or give reply where requested to do so. Deviations shall be clearly stated and fully detailed. Alternatives will be considered subject to evaluation.

6.3 **EACH BIDDER IS REQUIRED TO FILL IN EVERY BLANK. FAILURE TO DO SO MAY BE USED AS A BASIS FOR REJECTION OF BID**

**7.0 PERFORMANCE RELIABILITY**

7.1 The responsibility for the design of the **(3) Wheeled Street Sweeper**, its performance and reliability shall rest upon the Contractor.

7.2 The term "repeated failures" as used herein is defined to mean that the same component, subassembly, or assembly develops repeated defects, breakdowns and/or malfunctions rendering the vehicle inoperative, or requiring repeated shop correction, service and/or replacement during the warranty period applicable for said component, subassembly, of assembly. Minor items or ordinary service adjustments are not included, or considered under the scope of "repeated failures", as well as other factors, such as operational damage due to accidents, misuse or lack of proper maintenance, service and lubrication attention by not following the manufacturer's preventative maintenance schedule.

7.3 Where the **(3) Wheeled Street Sweeper** develops "repeated failures" in service, the Contractor shall make any necessary engineering changes, repairs, alterations or modifications in order to guarantee reliability of performance.

7.4 The equipment shall be capable of consistent top performance in City of Winnipeg Environment.  
**Note: The City of Winnipeg has four seasons with ambient temperatures ranging from approximately 90°F (32°C) to -40°F (-40°C)**

**8.0 FUEL**

8.1 All equipment must be fully fuelled upon delivery (no exceptions).

**9.0 QUALIFICATIONS OF MANUFACTURER & CONTRACTOR**

9.1 The manufacturer of the **(3) Wheeled Street Sweeper** shall have five (5) years continuous experience manufacturing **(3) Wheeled Street Sweeper**.

9.2 The manufacturer shall have in effect a documented quality control program ensuring that the quality of materials and workmanship, including welding, conforms to the best standards and engineering practice of the industry.

9.3 The Contractor shall have five (5) years continuous experience servicing, repairing and maintaining **(3) Wheeled Street Sweeper** of the type being offered.

**10.0 SPECIFICATIONS- – 3 WHEELED SWEEPERS**

10.1 Configuration – three wheel, dual side broom, rear steer **(no substitutes)** \_\_\_\_\_

10.2 Operating weight – Approx. 14,000-14,500 lbs. with dual side brooms  
**,state-** \_\_\_\_\_

10.3 Wheelbase – 125 -128 in., **state-** \_\_\_\_\_

10.4 Width – 102 in. \_\_\_\_\_

10.5 Sweeping swath – 120 in. \_\_\_\_\_

10.6 Suspension – the sweeper shall be equipped with fully sprung guide wheels \_\_\_\_\_

10.7 Engine- Type – B20 biodiesel compatible, Tier IV diesel fuelled, liquid cooled, 4-cylinder, 95-100 hp capable of powering all sweeper functions. \_\_\_\_\_

10.8 Engine coolant – Extended life rated to -35° C. \_\_\_\_\_

10.9 Engine shutdown – low oil pressure and high water temperature shut-down system. \_\_\_\_\_

10.10 Battery –925 CCA \_\_\_\_\_

10.11 Block heater –1000 watt with covered, recessed male plug. \_\_\_\_\_

10.12 Air cleaner – two stage dry type with restriction indicator light mounted in dash of vehicle. \_\_\_\_\_

10.13 Transmission Type – hydrostatic capable of variable speeds up to approx. 30-35 km/hr, **state-** \_\_\_\_\_

10.14 Road speed control – single foot pedal. \_\_\_\_\_

10.15 Direction control – Foot forward and reverse \_\_\_\_\_

10.16 Brakes- Service brakes – Calliper disc type \_\_\_\_\_

- 10.17 Parking brake – required. \_\_\_\_\_
- 10.18 Steer wheels & tires – steel disk wheels, 10R17.5  
radial tires 16-ply. Two spare tires and rims for all types of tires \_\_\_\_\_
- 10.19 Drive wheels & tires – steel disk wheels, 11R22.5  
radial tires, 14-ply Two spare tires and rims for all types of tires \_\_\_\_\_
- 10.20 Fuel tank- Capacity – Approx.130 L \_\_\_\_\_
- 10.21 Fuel and water separator – required. \_\_\_\_\_
- 10.22 Cab Type – fully enclosed pressurized cab, dust and weather sealed,  
steel or galvanized steel construction \_\_\_\_\_
- 10.23 Visibility - Cab visibility shall be 360 degrees without mirrors or rear view  
camera system \_\_\_\_\_
- 10.24 Climate controls – heater, defroster and air conditioner required. Cab  
Shall have a HVAC system that provides filtered air for operator \_\_\_\_\_
- 10.25 Insulation – cab interior shall be sound suppressed and insulated,  
in-cab noise level not to exceed 85 dB(A) at any time, measured in  
accordance with SAE J336. \_\_\_\_\_
- 10.26 Seats – dual bucket seats, cloth “Cordura” fabric with arm rests, with  
seat belts. \_\_\_\_\_
- 10.27 Dual steering wheel(s) – dual steering with dual controls or centre mount  
steer, tilt type steering wheel(s). \_\_\_\_\_
- 10.28 Starter switch – key operated with three (3) sets of keys. \_\_\_\_\_
- 10.29 Mirrors/doors – dual, power exterior c/w min. 8 in. convex mirrors each  
Side mounted forward of the cab enclosure. Door – door one piece glass.  
Door latch pin extendable for fresh air entry \_\_\_\_\_
- 10.30 Windshield wiper(s) – electric, 2-speed, intermittent with washer. \_\_\_\_\_
- 10.31 Sun visor(s) – required. \_\_\_\_\_
- 10.32 Radio – AM/FM/CD with blue tooth hands free capability \_\_\_\_\_
- 10.33 Dome light –Required \_\_\_\_\_
- 10.34 Grab handle(s) – required, located for ergonomic entry and egress. and  
removable cab entrance steps \_\_\_\_\_
- 10.35 Instruments - Instrument panel shall be full vision illuminated with  
tachometer, hour meter, speedometer, odometer, fuel gauge,  
hydrostatic oil temp gauge, engine coolant temp gauge, engine oil  
pressure gauge, voltage gauge, hydraulic filter, filter restriction  
indicator, and engine air filter restriction indicator. \_\_\_\_\_
- 10.36 Capacity – 3.5 cubic yards useable \_\_\_\_\_
- 10.37 Hopper- Front Dump Hooper \_\_\_\_\_

- 10.38 Dump height – variable height, ground level up to 110-115 in., **state-** \_\_\_\_\_
- 10.39 Lifting capacity – 9000 lbs. \_\_\_\_\_
- 10.40 Hopper dump control – Joystick type \_\_\_\_\_
- 10.41 Water system- Water pump – shall be capable of running dry continuously. \_\_\_\_\_
- 10.42 Tank capacity – Approx. 800-850 L, **state-** \_\_\_\_\_
- 10.43 Tank material – corrosion proof, polyethylene or stainless steel state material. \_\_\_\_\_
- 10.44 Low water indicator – required, dash mounted. \_\_\_\_\_
- 10.45 In-line water filter – required, readily accessible. \_\_\_\_\_
- 10.46 Water delivery valves – adjustable, operator controlled. \_\_\_\_\_
- 10.47 Hydrant hose – 25 ft. length, equipped with 2½ in. NST hydrant coupler. Equipped with a siphon breaker. \_\_\_\_\_
- 10.48 Storage compartment – required for proper storage of hose. \_\_\_\_\_
- 10.49 Sweeper shall be equipped with an internal conveyor flush and wash down system. \_\_\_\_\_
- 10.50 Side Brooms Type – hydraulic driven, 36 in. diameter, mounted on right and left sides with replaceable segments. \_\_\_\_\_
- 10.51 Up/down/tilt for both brooms/rotation function – hydraulic with individual in-cab controls and adjustable down pressure. \_\_\_\_\_
- 10.52 Main Broom type – hydraulic driven, 35” diameter x 68” long \_\_\_\_\_
- 10.53 Raise/lower – hydraulic raise lower with in-cab controls and automatic pick up in reverse \_\_\_\_\_
- 10.54 Conveyor type – hydraulic driven conveyor belt having moulded cleats (no substitutes- Squee-gee type not acceptable) capable of effectively sweeping debris of varying sizes. \_\_\_\_\_
- 10.55 Speeds – conveyor speed shall be variable with engine RPM and reversible \_\_\_\_\_
- 10.56 Conveyor system shall be capable of evenly loading hopper to full capacity without back spilling. \_\_\_\_\_
- 10.57 Hydraulic System- Oil reservoir – approx. 100-110 L capacity, baffled with sight gauge, **state-** \_\_\_\_\_
- 10.58 Suction and Return lines– 10 micron filters with restriction indicator in the cab. \_\_\_\_\_
- 10.59 High hydraulic oil temperature indicator in cab is required with hydraulic Oil temperature shut down \_\_\_\_\_



- 10.60 **Electrical system** – 12 volt negative ground electrical system including combination stop and taillights, sealed multiple beam headlights, high beam/low beam switch, adjustable side broom spotlights, illuminated gauges and instrument panel, internally illuminated rocker switches, self-cancelling directional signals, and hazard switch. \_\_\_\_\_
- 10.61 Electric starter – required. \_\_\_\_\_
- 10.62 Alternator – 120 amp \_\_\_\_\_
- 10.63 Windshield wipers – electric, 2-speed, intermittent with washer. \_\_\_\_\_
- 10.64 Exterior colour – white. \_\_\_\_\_
- 10.65 Operating weight, empty – **state-** \_\_\_\_\_
- 10.66 Wheelbase – 127 in. approx., **state-** \_\_\_\_\_
- 10.67 Machine width – 102 in. max., **state-** \_\_\_\_\_
- 10.68 Sweeping swath – 120 in. approx., **state-** \_\_\_\_\_
- 10.69 **Lighting**- All body lighting shall be LED unless otherwise noted. \_\_\_\_\_
- 10.70 **Safety Standards**- All Street Sweepers lighting shall conform to CMVSS (latest revision) and the Manitoba Highway Traffic Act and the City of Winnipeg Lighting Visibility Standard.  
<http://winnipeg.ca/matmgt/pdfs/PublicWorksEquipLightingVisibility.pdf>. \_\_\_\_\_
- 10.71 **Beacons**- All street sweepers shall have oval strobes at each roof corner Wired through ignition that provide 360 degree visibility \_\_\_\_\_
- 10.72 **Work Lights**- All Street Sweepers work lights for night-time operation shall have two roof-mounted, forward-facing LED work lights to shine down into the hopper. Two rear-mounted LED work lights. LED spot lights low mounted forward facing towards each side broom with interior mounted cab switches. \_\_\_\_\_
- 10.73 **Rear Camera** - Rear vision camera system with dash-mounted colour LCD monitor to turn on when the foot pedal is put into reverse. System to also have a continuous on switch. \_\_\_\_\_
- 10.74 **Back-up alarm** - Factory installed alarm, 97 dB(A) rating, Installed to be protected from damage. \_\_\_\_\_
- 10.75 **Slow Moving Vehicle Sign** - Required on all street sweepers. Shall be a make model # Grote 71152 or equivalent, rear mounted in a visible location. \_\_\_\_\_
- 10.76 **Fire Extinguisher** - ABC type 2.5 pounds, **state location-** \_\_\_\_\_
- 10.77 **Flare kit** - Three (3) triangular reflectors, CVSA approved. \_\_\_\_\_
- 10.78 **Interior noise level** - Maximum 83 dB(A), measured in accordance with SAE J336. \_\_\_\_\_
- 10.79 **Greasing System**- Make Groeneveld, Model, EP0 Automatic Greasing System \_\_\_\_\_

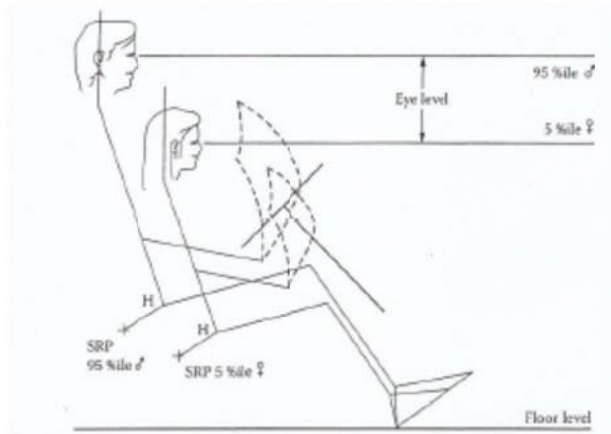
## 11.0 MANUALS AND LITERATURE-

11.1 The Contractor shall provide three (3) sets of operational manuals and three (3) sets of maintenance manuals (CDs are preferred). \_\_\_\_\_

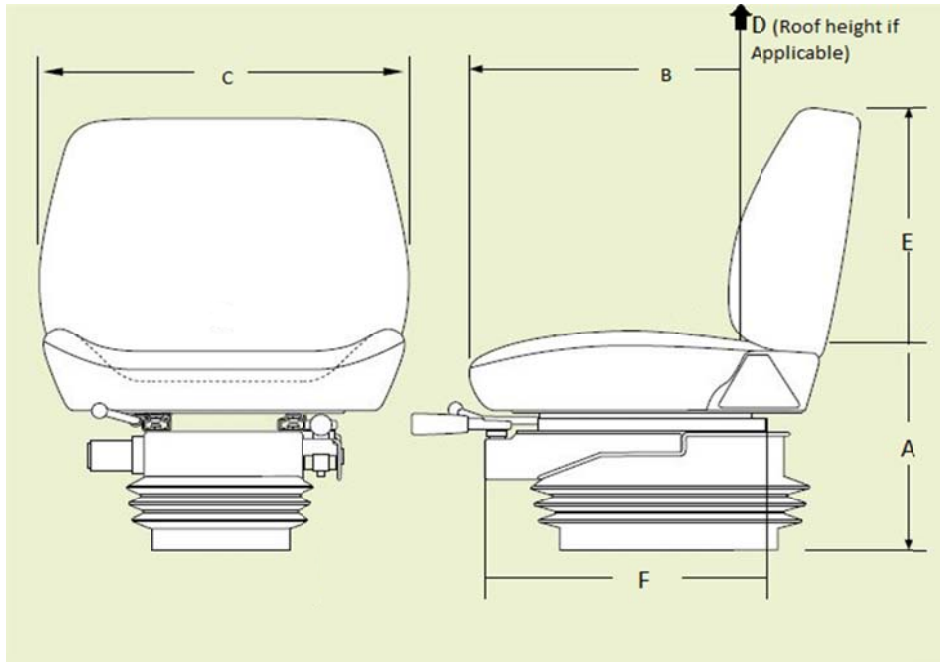
11.2 Bidders shall supply detailed drawing(s) or literature of the street Sweepers within three (3) days upon request of the Contract Administrator. \_\_\_\_\_

## 12.0 OPERATOR STATION ERGONOMICS

Cab or station layout should provide a comfortable seating position for the 5<sup>th</sup> to the 95<sup>th</sup> percentile of personnel. Figure 1 below illustrates the variance between a 5<sup>th</sup> to a 95<sup>th</sup> percentile of North American males and females when seated.



12.1 Figure 2: Use the below diagram to answer the specifications for Operator Station Ergonomics.



- |      |  |   |       |
|------|--|---|-------|
| 12.2 | Sitting height range from floor (where feet rest) (A)                                  | <b>State,</b> seat height range in inches | _____ |
| 12.3 | Seat length/depth (B)  | <b>State,</b> seat length/depth in inches | _____ |
| 12.4 | Seat width (C)   | <b>State,</b> seat width in inches        | _____ |
| 12.5 | Cab height from seat to roof (if applicable) (D)                                       | <b>State,</b> cab height range in inches  | _____ |
| 12.6 | Back rest height (E)   | <b>State,</b> back rest height in inches  | _____ |
| 12.7 | Seat travel range (F)  | <b>State,</b> seat travel in inches       | _____ |
| 12.8 | Include any other relevant ergonomic specifications and applicable range of adjustment |   | _____ |

**13.0**     **WARRANTY-**

13.1     **Bidder shall state all warranty information below.** All warranty information shall be detailed and include all exclusions. The successful bidder shall provide all published warranty information upon delivery of the equipment. \_\_\_\_\_

\_\_\_\_\_

\_\_\_\_\_

\_\_\_\_\_

\_\_\_\_\_

\_\_\_\_\_

\_\_\_\_\_

\_\_\_\_\_

\_\_\_\_\_

**14.0 DELIVERY-**

14.1 **Delivery Point:** The complete unit shall be serviced, ready for operation and delivered F.O.B. with the freight prepaid, including invoice and N.I.V.S. (if applicable) to the WFMA 185 Tecumseh Street, Winnipeg MB. \_\_\_\_\_

14.2 **Delivery Time:** Within **(20) twenty calendar weeks** from the date of award. Equipment shall be delivered between 8:00 am and 2:00 pm on Business Days. \_\_\_\_\_

14.3 **Delivery Contact:** The Contractor shall contact the Contract Administrator prior to delivery of the equipment. \_\_\_\_\_

14.4 **P.D.I:** A pre-delivery inspection shall be performed by the Contractor on the equipment. Proof upon inspection including completed check list \_\_\_\_\_

**15.0 MANUALS-**

15.1 **Manuals supplied under this Contract.** The manuals shall cover the complete equipment including all components thereof, CD is preferred where available. \_\_\_\_\_

15.2 Operator's manual: One (1) per unit shall be supplied with the units when are delivered. \_\_\_\_\_