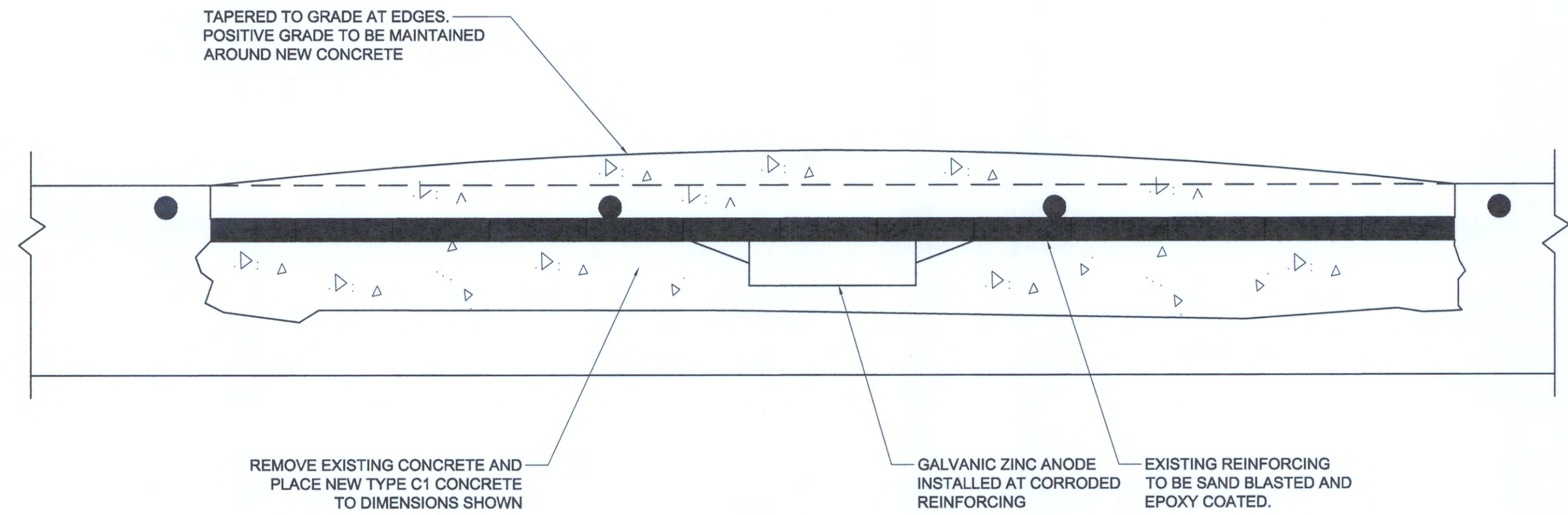
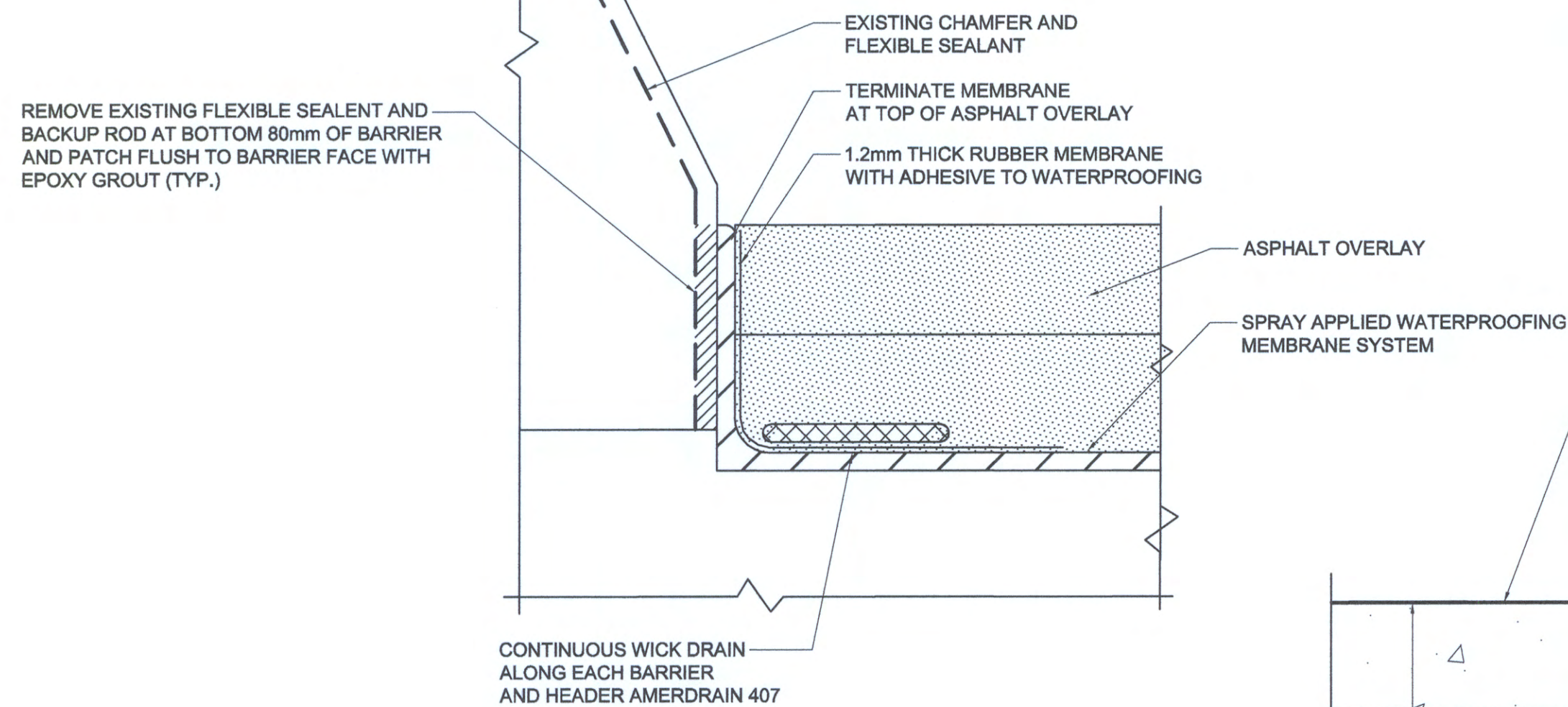


**A ASPHALT OVERLAY WITH WATERPROOFING MEMBRANE**  
N.T.S.

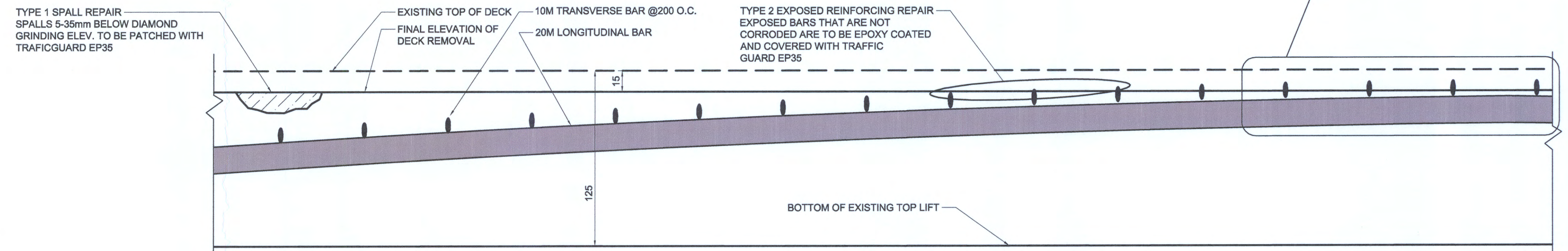


**C TYPE 3 CORRODED REINFORCING REPAIR**  
SCALE 1:2

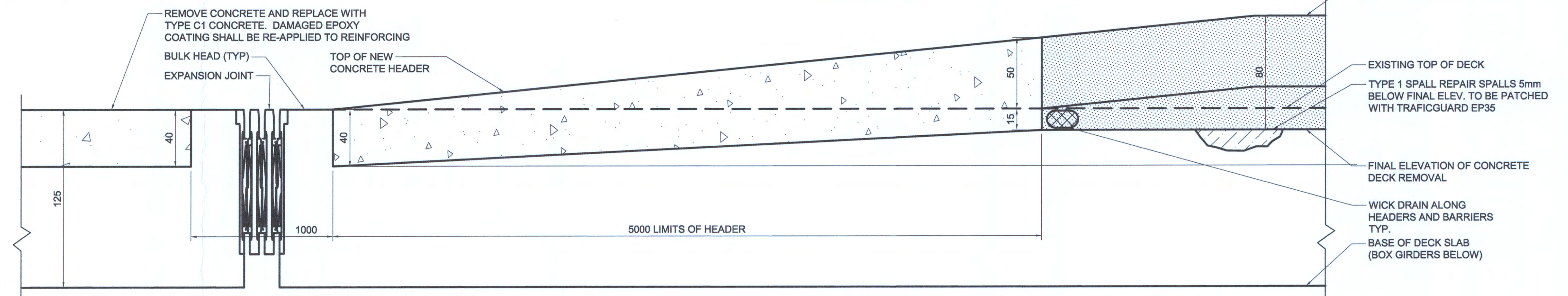
NOTE:  
LOCATION OF CORRODED REINFORCING TO BE EXPOSED, SAND BLASTED AND RE-EPOXYED



**B TYPICAL WATERPROOFING APPLICATION ALONG BARRIERS**  
N.T.S. (HEADERS SIMILAR)



**1 SECTION**  
HORIZ. 1:10  
VERT. 1:50



**2 SECTION**  
HORIZ. 1:5  
VERT. 1:50

METRIC  
WHOLE NUMBERS INDICATE MILLIMETRES  
DECIMALIZED NUMBERS INDICATE METRES

**APECM**  
Certificate of Authorization  
AECOM Canada Ltd.  
No. 4671 Date: 15/05/06

P:\032326\100-WORK\10-CAD\2D-SHEETS\CAD\CT-60.DWG

150 mm W.M.	WATERMAIN	150 mm W.M.	HYDRO	CONCRETE	PROPERTY LINE	PROPERTY LINE	PROPERTY LINE	PROPERTY LINE	PROPERTY LINE
○	HYDRANT	+	M.T.S.	CONCRETE	---	---	---	---	---
⊙	VALVE	⊙	ASPHALT	ASPHALT	---	---	---	---	---
⊙	LAND DRAINAGE SEWER	⊙	PROPERTY LINE	PROPERTY LINE	---	---	---	---	---
⊙	WASTEWATER SEWER	⊙	SURVEY BAR	SURVEY BAR	---	---	---	---	---
○	MANHOLE	●	ELEVATION	ELEVATION	---	---	---	---	---
□	CATCH BASIN	■	(35.750)	(35.750)	---	---	---	---	---
▽	CATCH PIT	▽	TREE	TREE	---	---	---	---	---
---	JUNCTIONS	---	SIDEWALK RAMP	SIDEWALK RAMP	---	---	---	---	---
---	CULVERT	---	CONCRETE SIDEWALK	CONCRETE SIDEWALK	---	---	---	---	---
---	GAS	---	FENCE	FENCE	---	---	---	---	---
---	EXISTING	---	LEGEND - PLAN	LEGEND - PLAN	---	---	---	---	---
---	PROPOSED	---	PROPOSED	PROPOSED	---	---	---	---	---
---	EXISTING	---	LEGEND - PROFILE	LEGEND - PROFILE	---	---	---	---	---
---	PROPOSED	---	PROPOSED	PROPOSED	---	---	---	---	---

LOCATION APPROVED UNDERGROUND STRUCTURES  
S.U.P.V. U/G STRUCTURES COMMITTEE DATE

NOTE:  
LOCATION OF UNDERGROUND STRUCTURES AS SHOWN ARE BASED ON THE BEST INFORMATION AVAILABLE. BUT NO GUARANTEE IS GIVEN THAT ALL EXISTING UTILITIES ARE SHOWN OR THAT THE GIVEN LOCATIONS ARE EXACT. CONFIRMATION OF EXISTENCE AND EXACT LOCATION OF ALL SERVICES MUST BE OBTAINED FROM THE INDIVIDUAL UTILITIES BEFORE PROCEEDING WITH CONSTRUCTION.

B.M. ELEV.	NO.	REVISIONS	DATE	BY
	1	ISSUED FOR TENDER	15/05/06	KC

**AECOM**

DESIGNED BY: SS  
DRAWN BY: SS  
HOR. SCALE: N.T.S.  
VERTICAL: N.T.S.

CHECKED BY: MM  
APPROVED BY: EBL  
RELEASED FOR CONSTRUCTION BY: [Signature]

DATE: 2015/03/05

ENGINEER'S SEAL  
PROVINCE OF MANITOBA  
REGISTERED PROFESSIONAL ENGINEER  
E.B. LOEWEN  
Member 8325  
May 6, 2015

CONSULTANT DRAWING NO. CT-06

**THE CITY OF WINNIPEG**  
PUBLIC WORKS DEPARTMENT  
ENGINEERING DIVISION

**NORWOOD NORTHBOUND BRIDGE OVER THE RED RIVER - 2015 DECK REHABILITATION**

MISCELLANEOUS DETAILS - SHEET 1

CITY DRAWING NUMBER B103-15-07  
SHEET 06 OF 10