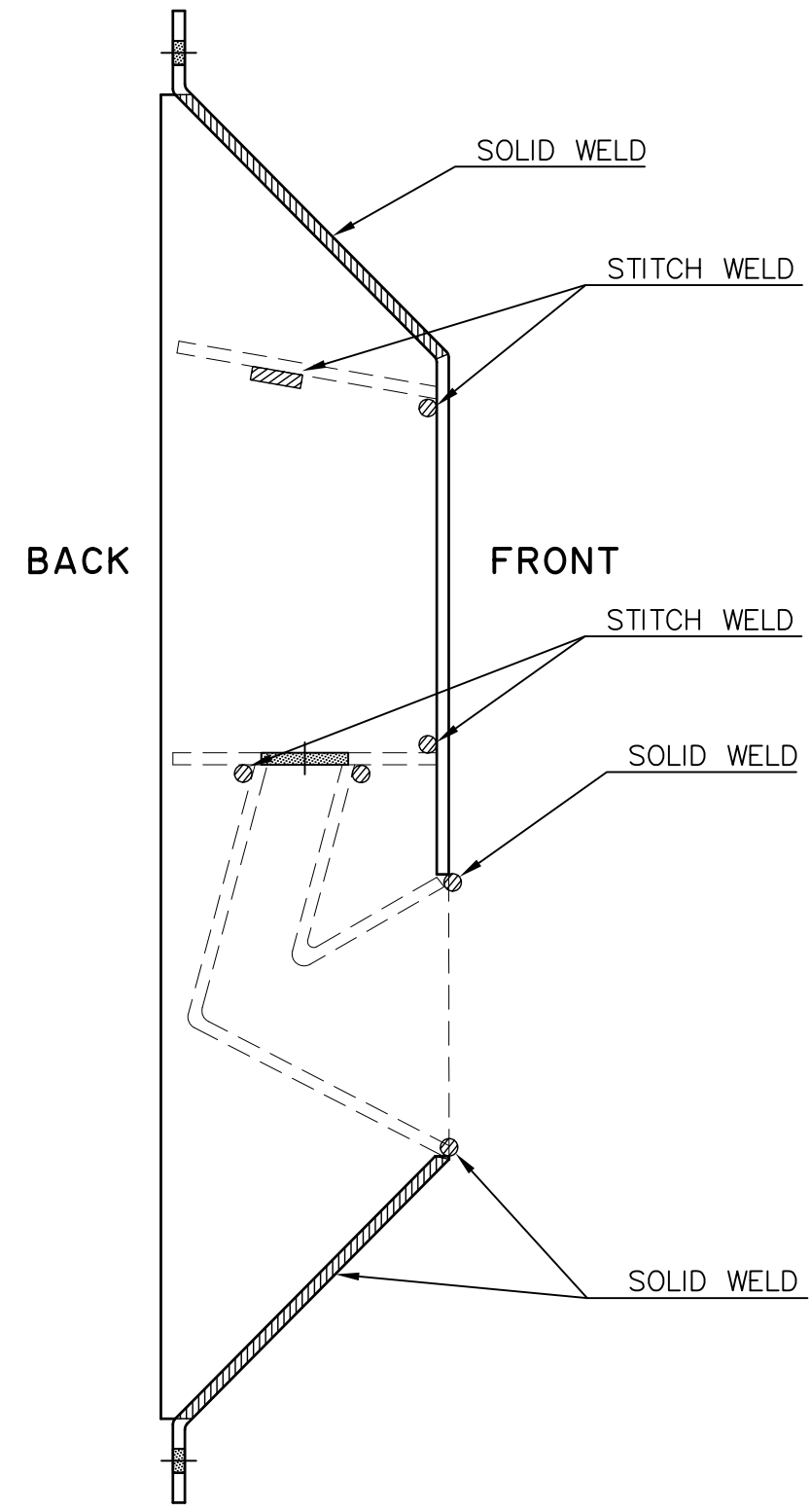
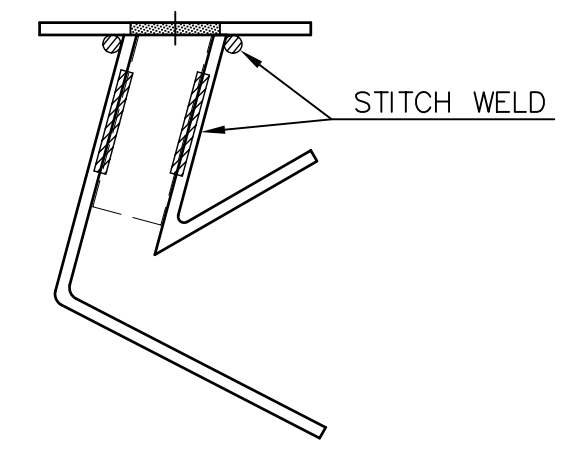


FRONT VIEW AUDIBLE BOX



SIDE VIEW AUDIBLE BOX



HORN SIDE VIEW

5 WELDING
(MIG OR TIG)

<table border="1"> <thead> <tr> <th>NO.</th> <th>REVISIONS</th> <th>DATE</th> <th>BY</th> </tr> </thead> <tbody> <tr><td> </td><td> </td><td> </td><td> </td></tr> <tr><td> </td><td> </td><td> </td><td> </td></tr> <tr><td> </td><td> </td><td> </td><td> </td></tr> </tbody> </table>	NO.	REVISIONS	DATE	BY													REFERENCE SPEC. NO.	ENGINEER'S SEAL	THE CITY OF WINNIPEG PUBLIC WORKS DEPARTMENT TRANSPORTATION DIVISION WELDING	SHEET 6 OF 6
	NO.	REVISIONS	DATE	BY																
DESIGNED BY	CHECKED BY	CITY DRAWING NUMBER																		
DRAWN BY KR	SCALE N.T.S.	CAD FILE DRAWING NUMBER																		
APPROVED BY	KWLK 06/02/14	DATE																		