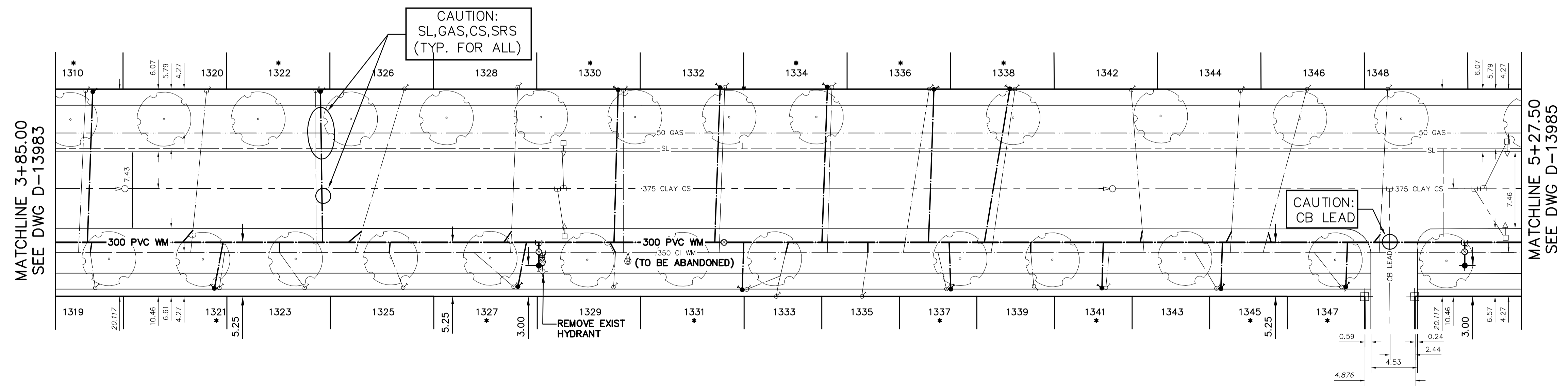


NOTE: CHAINAGES SHOWN ARE ALONG E. R. OF DOWNING STREET

DOWNING STREET



**METRIC**  
WHOLE NUMBERS INDICATE MILLIMETRES  
DECIMALIZED NUMBERS INDICATE METRES

**WARNING**  
IF POWER EQUIPMENT OR EXPLOSIVES ARE TO BE USED FOR EXCAVATION ON THIS PROJECT THE CONTRACTOR MUST:  
1) NOTIFY THE GAS COMPANY OF THE PROPOSED LOCATION OF EXCAVATION.  
2) TAKE PRECAUTION TO AVOID DAMAGE TO GAS COMPANY INSTALLATIONS.  
SEE PROVINCIAL REGULATION 210/72 FOR DETAILS

**LOCATION APPROVED UNDERGROUND STRUCTURES**  
SUPV. U/G STRUCTURES COMMITTEE DATE  
NOTE:  
LOCATION OF UNDERGROUND STRUCTURES AS SHOWN ARE BASED ON THE BEST INFORMATION AVAILABLE BUT NO GUARANTEE IS GIVEN THAT ALL EXISTING UTILITIES ARE SHOWN OR THAT THE GIVEN LOCATIONS ARE EXACT. CONFIRMATION OF EXISTENCE AND EXACT LOCATION OF ALL SERVICES MUST BE OBTAINED FROM THE INDIVIDUAL UTILITIES BEFORE PROCEEDING WITH CONSTRUCTION.

B.M. ELEV.	
CONSTRUCTION COMPLETION DATE: YYYY MM DD	
NO.	REVISIONS
	DATE BY

DESIGNED BY	TS	CHECKED BY	SC
DRAWN BY	RS/CN	APPROVED BY	KZ
SCALE:		RELEASED FOR CONSTRUCTION	
HORIZONTAL	1:250		
VERTICAL	1:50		
DATE	2015 05 04	DATE	
PLOT DATE:	2015 05 04		

ENGINEER'S SEAL  
ORIGINAL SIGNED BY S.R.J. COURNOYER  
15/05/01  
CONSULTANT DRAWING NUMBER

**THE CITY OF WINNIPEG**  
WATER AND WASTE DEPARTMENT  
ENGINEERING DIVISION  
2015 WATERMAIN RENEWALS  
DOWNING STREET  
155 N YARWOOD AVENUE (N R) TO  
50 S NOTRE DAME AVENUE (S R)  
SHEET 4 OF 12  
CITY DRAWING NUMBER  
D-13984

FOR INDEX SEE D-13981 FOR SERVICE INFO SEE D-13985 NOTE: ALL VALVES TO BE INSTALLED COUNTER-CLOCKWISE TO CLOSE