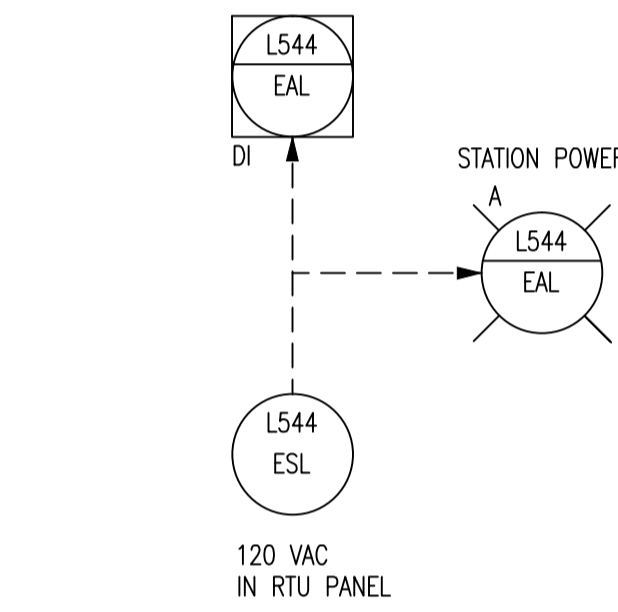


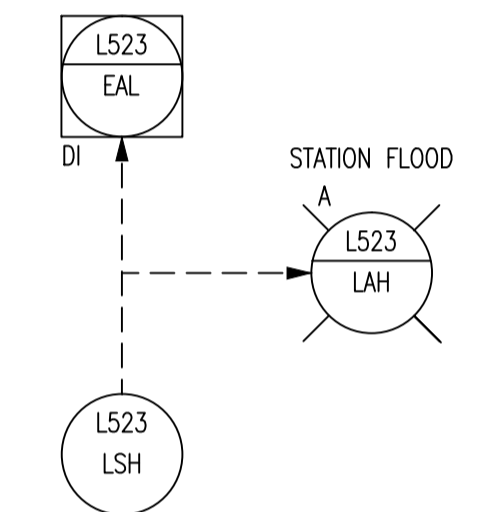
RTU ALARM LOCKOUT

LEGEND:

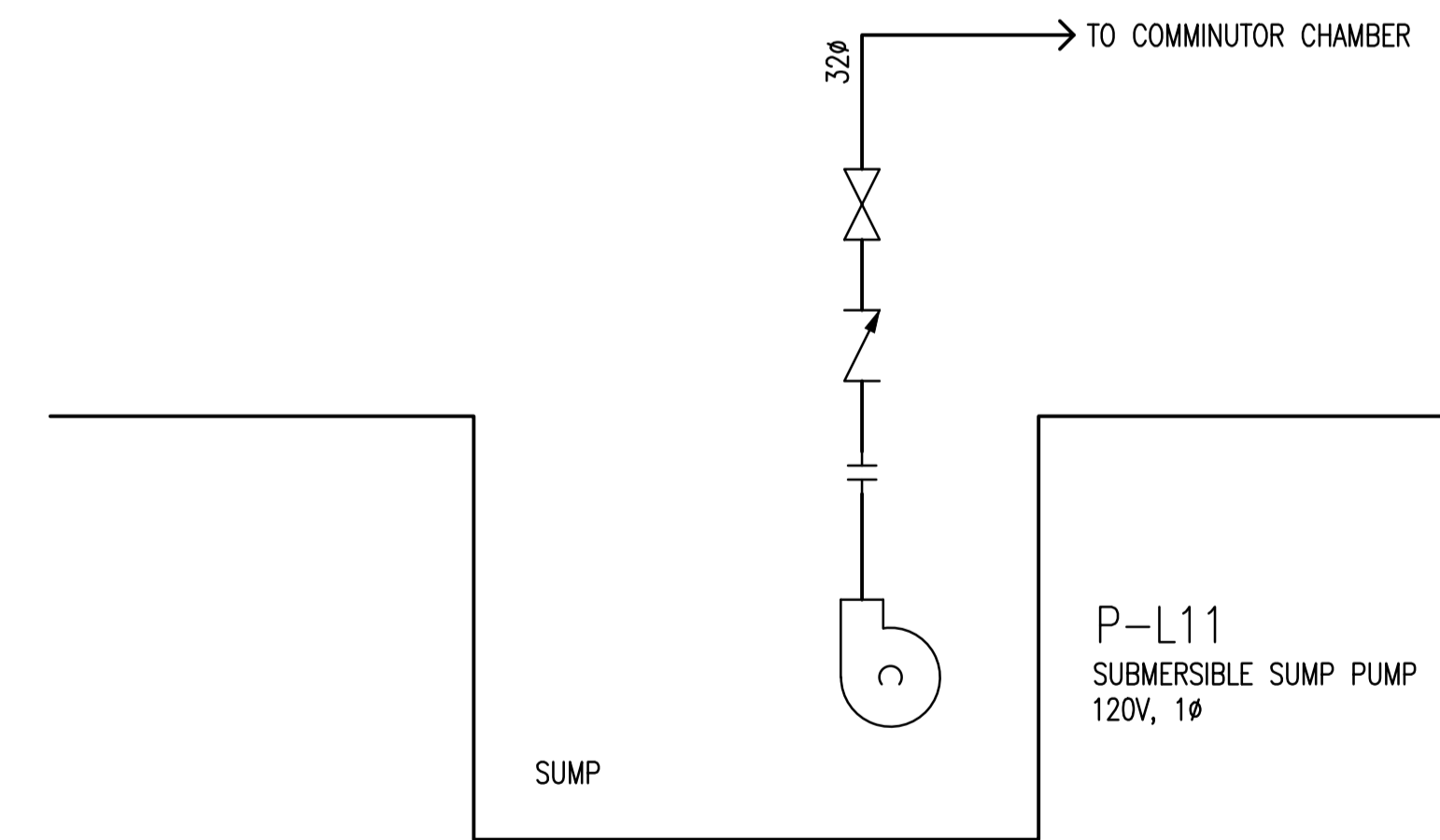
DEVICE DESCRIPTORS:	
A	AMBER
AI	ANALOG INPUT
AO	ANALOG OUTPUT
DI	DISCRETE INPUT
DO	DISCRETE OUTPUT
S/S	START/STOP
FUNCTIONAL IDENTIFIERS:	
EI	VOLTAGE INDICATOR
ESL	LOW VOLTAGE SWITCH
FI	FLOW INDICATOR
HS	HAND SWITCH
II	CURRENT INDICATOR
KQI	TOTAL RUN TIME
LC	LEVEL CONTROLLER
LIT	LEVEL INDICATING TRANSMITTER
LIY	LEVEL INDICATING RELAY
LSH	LEVEL SWITCH HIGH
LT	LEVEL TRANSMITTER
LY	LEVEL RELAY
MM	MOTOR RUNNING
MN	MOTOR START
PG	PRESSURE GAUGE
PSL	PRESSURE SWITCH LOW
TSH	TEMPERATURE SWITCH HIGH



ELECTRICAL POWER ALARMS



STATION FLOOD ALARM



NOTES:

1. ALL INSTRUMENT IDENTIFIERS HAVE AN OPTIONAL FACILITY PREFIX OF "OLI-".
 EXAMPLE: OLI-L522-HS
2. ALL INSTRUMENTS SHOWN IN AN AUXILIARY LOCATION ARE IN THE CORRESPONDING SOFT STARTER PANEL.



NO.	REVISIONS	DATE	DESIGN	CHECK
00	ISSUED FOR CITY USE	2012/01/31	-	TMC

SNC-LAVALIN INC. 148 Nature Park Way Winnipeg, MB, Canada R3P 0X7 204-786-8080			
DESIGNED BY:	EXISTING	CHECKED BY:	T. CHURCH
DRAWN BY:	S. FUNK	APPROVED BY:	C. REIMER
SCALE:	NTS	RELEASED FOR CONSTRUCTION BY:	
DATE:	2011/02/17	DATE:	
CONSULTANT NO.:			

ENGINEER'S SEAL

THE CITY OF WINNIPEG
 WATER AND WASTE DEPARTMENT

OLIVE WASTEWATER PUMPING STATION
 PUMPING STATION CONDITION ASSESSMENT PHASE 1
 PROCESS & INSTRUMENTATION DIAGRAM
 HVAC & MISC

CITY DRAWING NUMBER	SHEET	REV.	SIZE
1-0169L-P0002	001	00	A1