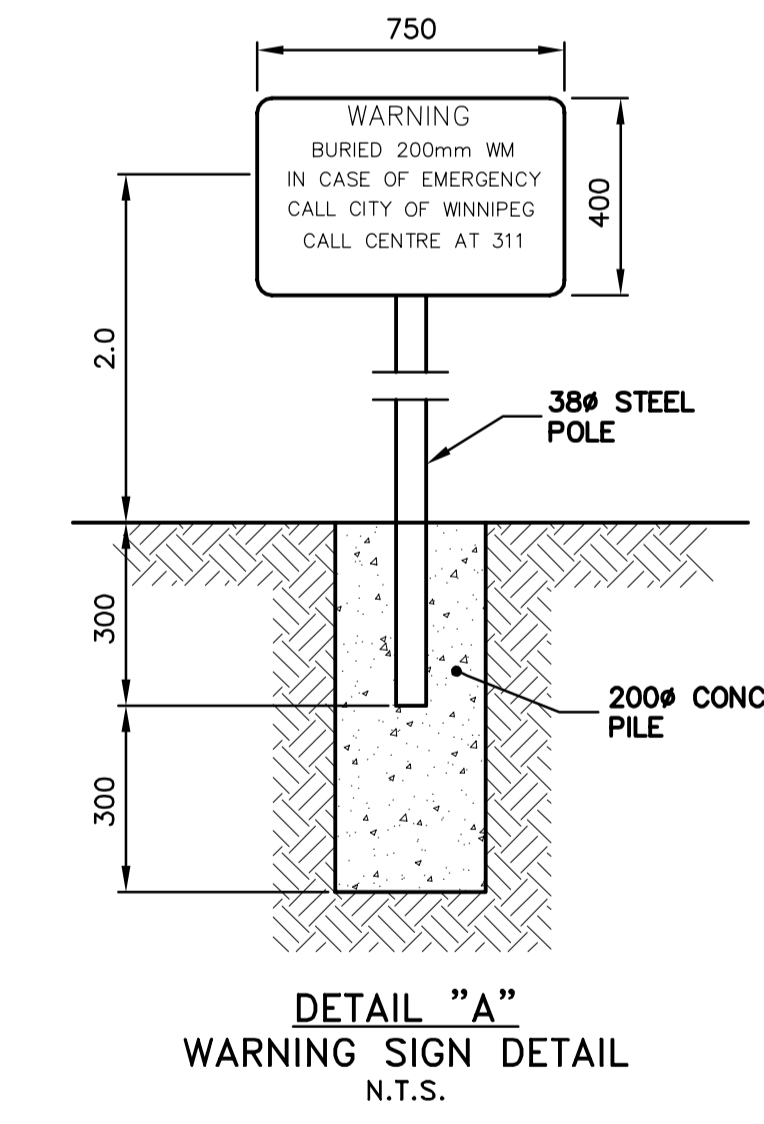
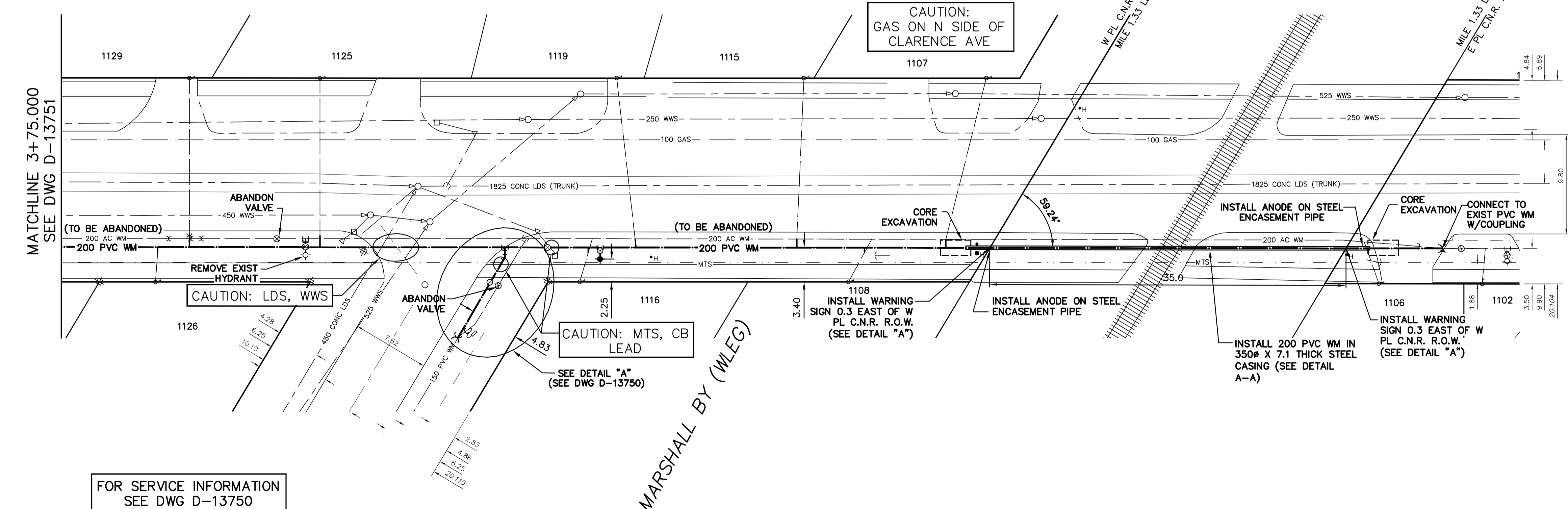


**WATER CARRIER PIPE INFORMATION**  
 DIAMETER - 200mm  
 MATERIAL - PVC  
 WALL THICKNESS - 13.0mm  
 PIPE CLASS - AWWA C900 DR18  
 SURGE PRESSURE - 300 PSI (2.0MPa)  
 OPERATING PRESSURE - 60 PSI (0.4 MPa)  
 TEST PRESSURE - 150 PSI (1.0 MPa)  
 INSTALLATION METHOD  
 - PIPE ADVANCING WITH CORING  
 - CORING HEAD TO BE MIN. 0.5m FROM CASING END, IN CASING

**ENCASEMENT PIPE INFORMATION**  
 DIAMETER - 350 mm  
 MATERIAL - STEEL - ASTM A35  
 WALL THICKNESS - 7.1 mm MIN.  
 YIELD STRENGTH - 241 MPa

NOTE: CHAINAGES SHOWN ARE ALONG S. R. OF CLARENCE AVE

CLARENCE AVENUE



FOR SERVICE INFORMATION SEE DWG D-13750

FOR INDEX SEE D-13804 NOTE: ALL VALVES TO BE INSTALLED CLOCKWISE TO CLOSE

**METRIC**  
 WHOLE NUMBERS INDICATE MILLIMETRES  
 DECIMALIZED NUMBERS INDICATE METRES

<b>WARNING</b> IF POWER EQUIPMENT OR EXPLOSIVES ARE TO BE USED FOR EXCAVATION ON THIS PROJECT THE CONTRACTOR MUST: 1) NOTIFY THE GAS COMPANY OF THE PROPOSED LOCATION OF EXCAVATION. 2) TAKE PRECAUTION TO AVOID DAMAGE TO GAS COMPANY INSTALLATIONS. SEE PROVINCIAL REGULATION 21072 FOR DETAILS	<b>LOCATION APPROVED UNDERGROUND STRUCTURES</b> SUPV. U/G STRUCTURES COMMITTEE DATE NOTE: LOCATION OF UNDERGROUND STRUCTURES AS SHOWN ARE BASED ON THE BEST INFORMATION AVAILABLE BUT NO GUARANTEE IS GIVEN THAT ALL EXISTING UTILITIES ARE SHOWN OR THAT THE GIVEN LOCATIONS ARE EXACT. CONFIRMATION OF EXISTENCE AND EXACT LOCATION OF ALL SERVICES MUST BE OBTAINED FROM THE INDIVIDUAL UTILITIES BEFORE PROCEEDING WITH CONSTRUCTION.	B.M. ELEV. CONSTRUCTION COMPLETION DATE: YYYY MM DD		ENGINEER'S SEAL <b>ORIGINAL SIGNED BY S.J.R COURNOYER 15/03/13</b> CONSULTANT DRAWING NUMBER	<b>THE CITY OF WINNIPEG</b> WATER AND WASTE DEPARTMENT ENGINEERING DIVISION 2015 WATERMAIN RENEWALS <b>CLARENCE AVENUE</b> 275 E OF MARSHALL BAY (W R) 98 E OF MARSHALL BAY (W-LEG)	SHEET 5 OF 10 CITY DRAWING NUMBER <b>D-13743</b>
		DESIGNED BY: TS DRAWN BY: RS/MA SCALE: HORIZONTAL 1:250, VERTICAL 1:50 DATE: 2015 03 13	CHECKED BY: SC APPROVED BY: KZ RELEASED FOR CONSTRUCTION DATE:			