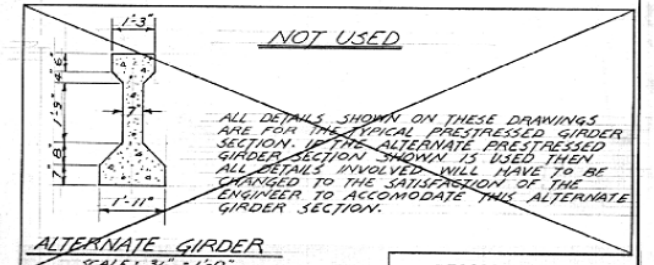
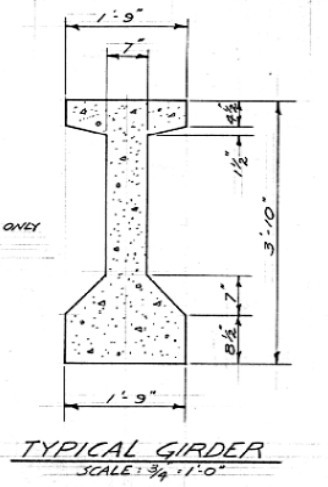
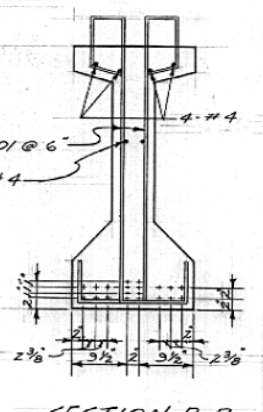
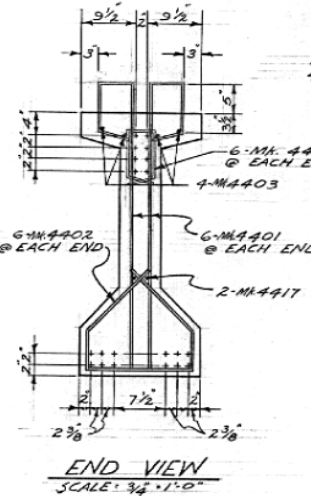
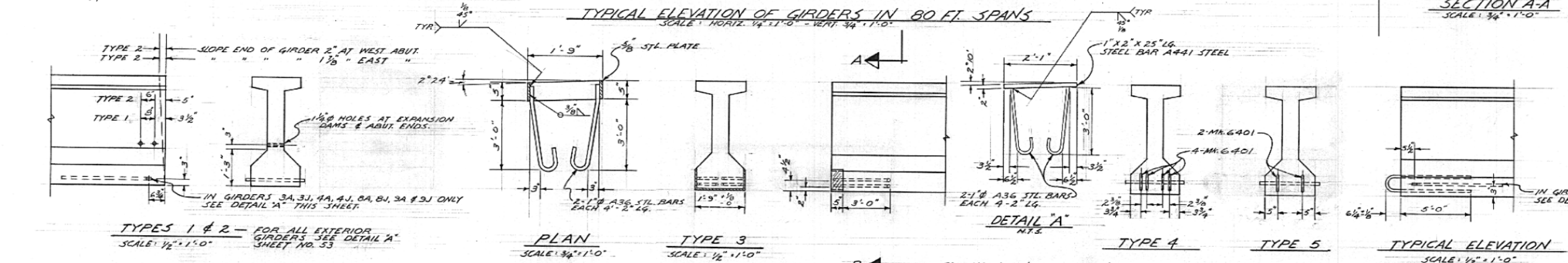
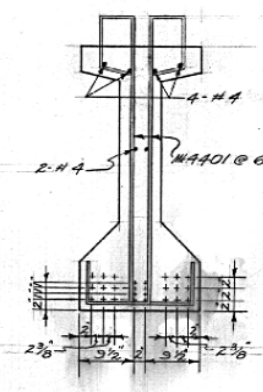
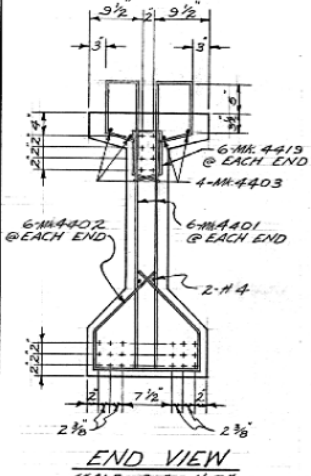


80 FT. SPANS				
GIRDERS	LENGTH	WEST END OF GIRDER - TYPE	EAST END OF GIRDER - TYPE	
4A	77'-2 3/4"	4	1	1
4B	77'-2 3/4"	1	5	5
4C	77'-9 3/4"	4	1	1
4D	77'-9 3/4"	1	5	5
4E	78'-4 3/4"	4	1	1
4F	78'-4 3/4"	1	5	5
4G	78'-11 1/4"	4	1	1
4H	78'-11 1/4"	1	5	5
4J	79'-5 1/8"	4	1	1
5A	79'-5 1/8"	1	5	5
5B	80'-0 1/8"	4	1	1
5C	80'-0 1/8"	1	5	5
5D	80'-7 1/8"	4	1	1
5E	80'-7 1/8"	1	5	5
5F	81'-2 1/8"	4	1	1
5G	81'-2 1/8"	1	5	5
5H	81'-9 1/8"	4	1	1
5J	81'-9 1/8"	1	5	5
6A	75'-1 1/2"	3	5	5
6B	75'-8 1/2"	4	3	3
6C	76'-3 1/2"	3	5	5
6D	76'-10 1/2"	4	3	3
6E	77'-5 1/2"	3	5	5
6F	78'-0 1/2"	4	3	3
6G	78'-7 1/2"	3	5	5
6H	79'-2 1/2"	4	3	3
6J	79'-9 1/2"	3	5	5
7A	75'-1 1/2"	4	3	3
7B	75'-8 1/2"	3	5	5
7C	76'-3 1/2"	4	3	3
7D	76'-10 1/2"	3	5	5
7E	77'-5 1/2"	4	3	3
7F	78'-0 1/2"	3	5	5
7G	78'-7 1/2"	4	3	3
7H	79'-2 1/2"	3	5	5
7J	79'-9 1/2"	4	3	3



70 FT. SPANS															
GIRDER	LENGTH	WEST END OF GIRDER TYPE	EAST END OF GIRDER TYPE	GIRDER	LENGTH	WEST END OF GIRDER TYPE	EAST END OF GIRDER TYPE	GIRDER	LENGTH	WEST END OF GIRDER TYPE	EAST END OF GIRDER TYPE	GIRDER	LENGTH	WEST END OF GIRDER TYPE	EAST END OF GIRDER TYPE
1A	68'-2 3/8"			2F	69'-11 3/8"			9A	67'-6 3/8"			10F	69'-10 1/8"		
1B	68'-6 3/8"			2G	70'-3 1/2"			9B	68'-0 1/2"			10G	70'-2 3/8"		
1C	68'-10 3/8"			2H	70'-11 1/2"	4	2° 6'	9C	68'-6 3/8"			10H	70'-7 3/8"	4	0° 45'
1D	69'-2 7/8"			2J	71'-5 1/2"			9D	69'-0 3/4"			10I	71'-0 1/4"		
1E	69'-7 7/8"	4	1° 30'	3A	67'-6 3/8"			9E	69'-0 3/4"	4	1° 45'	10J	71'-0 1/4"		
1F	69'-11 3/8"			3B	68'-0 1/2"			9F	70'-1"			10K	68'-9 3/8"		
1G	70'-3 1/2"			3C	68'-6 3/8"			9G	70'-1"			10L	68'-11 3/8"		
1H	70'-7 3/8"			3D	69'-0 3/4"			9H	71'-1 1/2"			10M	69'-2 3/8"		
1J	70'-11 3/8"			3E	69'-7 1/8"	1	2° 6'	9I	69'-4 3/4"			10N	69'-7 1/4"	2	0° 0'
2A	67'-5 3/8"			3F	70'-1 1/8"			9J	71'-7 1/2"	3	2° 6'	10O	69'-9 3/4"		
2B	67'-11 3/8"			3G	70'-7 3/8"			9K	71'-1 1/2"			10P	70'-0 1/8"		
2C	68'-5 3/8"			3H	71'-1 1/2"			9L	69'-1 1/8"			10Q	70'-2 3/4"	4	0° 45'
2D	68'-11 3/8"	4	2° 6'	3J	71'-7 3/8"			9M	69'-5 3/8"			10R	68'-8 1/2"		
2E	69'-5 3/8"							9N	69'-1 1/8"			10S	69'-1 1/8"		

RECORD DRAWING

APPROVED BY: *W.D. ...* DATE: 10/3/67

THE METROPOLITAN CORPORATION OF GREATER WINNIPEG
STREETS AND TRANSIT DIVISION

NAIRN AVENUE GRADE SEPARATION

PRECAST GIRDER DETAILS

DESIGNED BY: PBE DATE: FEB. 1967
 DRAWN BY: KWF DATE: FEB. 1967
 CHECKED BY: PBF DATE: FEB. 1967
 APPROVED BY: *...* DATE: FEB. 1967

B.M. J.E. ZUK REGISTERED ENGINEER

B-5045

SCALE: HORIZ. AS SHOWN VERT. AS SHOWN

DRAWING NO. AB 25-265-42-52