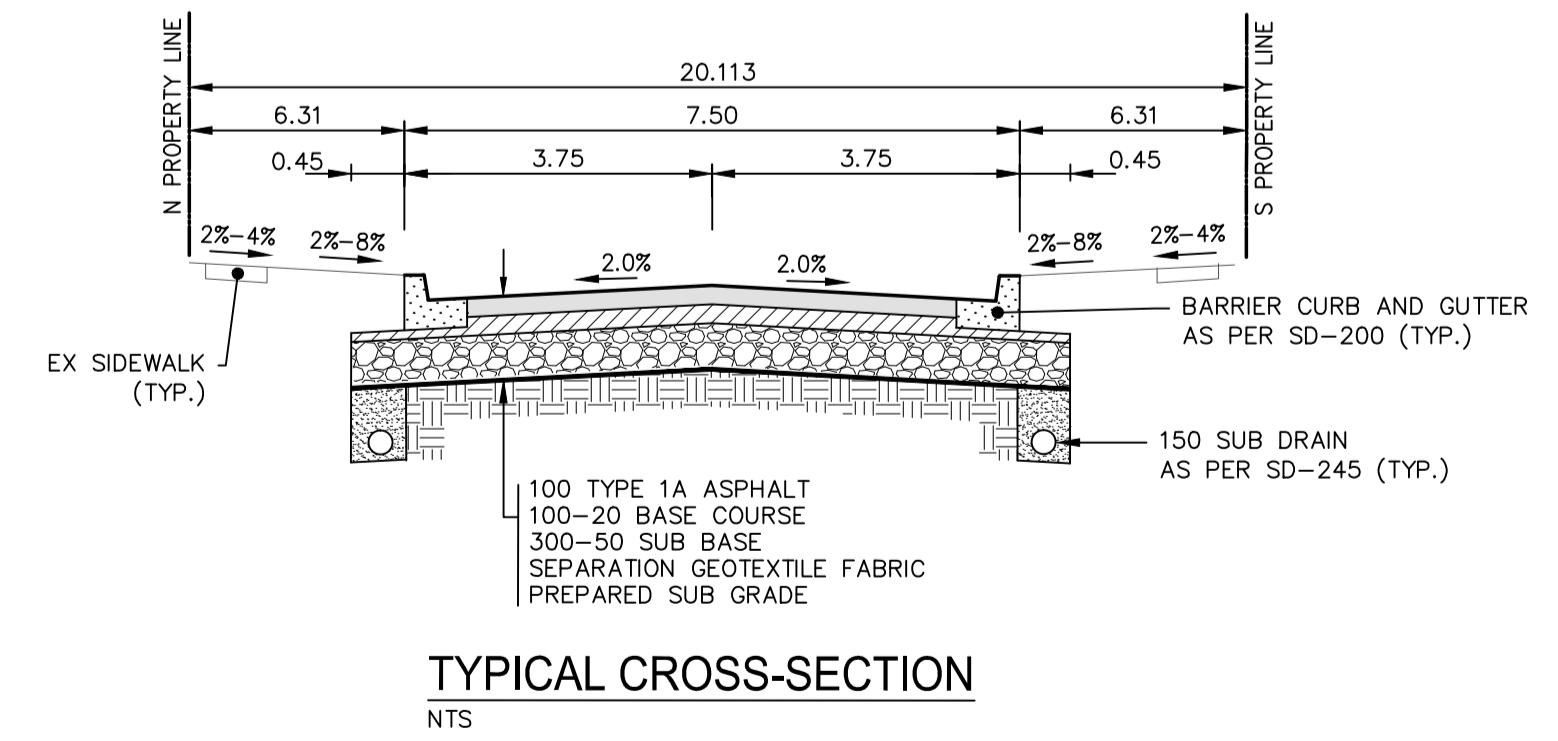


- GENERAL NOTES:**
- ADJUST MH, CB RIMS, AND VALVES TO NEW GRADES.
 - CONTRACTORS TO TAKE PRECAUTIONARY STEPS TO PROTECT EXISTING TREES WITHIN THE LIMITS OF CONSTRUCTION FROM DAMAGE FROM CONSTRUCTION ACTIVITIES AS OUTLINED IN THE SPECIFICATIONS.
 - MODIFIED BARRIER CURB TO BE USED AT ALL INTERSECTION RADII, BACK LANE RADII, AND BULL NOSES.
 - CONTRACTOR TO CONFIRM THE LOCATION OF ALL UTILITIES/SERVICES IN THE FIELD PRIOR TO CONSTRUCTION.
 - ADD 200.00m TO ABBREVIATED ELEVATIONS TO OBTAIN GEODETIC ELEVATIONS.
 - CB OFFSETS ARE DIMENSIONED TO BOC.
 - PAVEMENT REPAIRS SHOWN ARE ONLY A REPRESENTATIVE APPROXIMATION OF THE TENDERED QUANTITIES.
 - SIDEWALKS TO BE RENEWED WITH CONCRETE AS NOTED BY CONTRACT ADMINISTRATOR.
 - LAMP STANDARDS, HYDRO POLES, AND ANCHORS THAT REQUIRE TEMPORARY SUPPORT, REMOVAL OR REPLACEMENT, TO BE DONE SO AT THE EXPENSIVE OF THE CONTRACTOR AS NECESSARY.

RECONSTRUCTION OF MACHRAY AVENUE INCLUDES STREET LIGHTING PROJECT SEE DRAWING 1-04707-DD-50000-0231

EXTERNAL POINT REPAIRS TO BE COMPLETED BY CENTRALIZED SERVICES.



PRELIMINARY

METRIC
WHOLE NUMBERS INDICATE MILLIMETRES
DECIMALIZED NUMBERS INDICATE METRES

APEGM
Certificate of Authorization
MMM Group Limited
No. 4531

NOTE:
These design documents are prepared solely for the use by the party with whom the design professional has entered into a contract and there are no representations of any kind made by the design professional to any party with whom the design professional has not entered into a contract.

○	MANHOLE	●	WATER MAIN	---	EDGE OF CONCRETE
□	CATCH BASIN	■	LAND DRAINAGE SEWER	---	PROPERTY LINE
△	CURB INLET	▽	WASTE WATER SEWER	---	GUTTER
◇	UTILITIES ADJUSTED	△ □ ○	HYDRO	---	MODIFIED BARRIER CURB
J	PLUG	J	M.T.S.	---	BARRIER CURB
◇	HYDRANT	◆	GAS	---	CURB & GUTTER
⊗	VALVE	⊗	SIGNALS	---	GLASS GRID
⊕	IRON BAR	→	LIGHT STANDARD	---	CONCRETE
230.99	GROUND GRADE	→	DETECTABLE WARNING TILE	---	ASPHALT
(230.99)	PAVEMENT GRADE	(31.00)	CURB RAMP	---	ASPHALT OVERLAY
	LOT GRADE	(31.00)	EDGE OF SIDEWALK	---	ASPHALT JOINT REPAIR
EXISTING	LEGEND-PLAN	PROPOSED	EXISTING	LEGEND-PLAN	PROPOSED

LOCATIONS APPROVED UNDERGROUND STRUCTURES

SIGNED BY: _____ DATE: _____

SUPV UG STRUCTURES

LOCATION OF UNDERGROUND STRUCTURES AS SHOWN ARE BASED ON THE BEST INFORMATION AVAILABLE BUT NO GUARANTEE IS GIVEN THAT ALL EXISTING UTILITIES ARE SHOWN OR THAT THE GIVEN LOCATIONS ARE EXACT CONFIRMATION OF EXISTANCE AND EXACT LOCATION OF ALL SERVICES MUST BE OBTAINED FROM THE INDIVIDUAL UTILITIES BEFORE PROCEEDING

NO.	REVISIONS	DATE	BY
1	ISSUED FOR TENDER	04.03.15	VMM
2	ISSUED TO UG STRUCTURES FOR REVIEW	03.02.15	BOD
NO.	REVISIONS	DATE	BY
		05-Mar-15	

G.B.M. 654534 34 (654534) - Tbl. in 7.6 m Conc. pile, 14.8 m N. of ELEV. 231.110 S.L. of Inkster Blvd. & 4.6 m E. of W.L. of

MMM GROUP

MMM Group Limited.
Suite 111 - 93 Lombard Ave.
Winnipeg, MB R3B 3B1
T. 204.943.3178
F. 204.943.4948
www.mmm.ca

DESIGNED BY: BQD
CHECKED BY: VMM
DRAWN BY: KB
APPROVED BY: VMM

HOR. SCALE: 1:250
VERTICAL: 1:10

RELEASED FOR CONSTRUCTION

CONSULTANT ACAD DWG. NO. 5514132-C1-04

ENGINEER'S SEAL

ORIGINAL SEALED BY
V.M. MAROTI
P. ENG.
03/02/15

THE CITY OF WINNIPEG
PUBLIC WORKS DEPARTMENT
ENGINEERING DIVISION

2015 LOCAL STREETS RENEWAL PRG
MACHRAY AVENUE - MAIN ST TO EMSLIE ST
ASPHALT RECONSTRUCTION
STA 2+00 TO EMSLIE STREET

CITY DRAWING NUMBER
SHEET 4 OF 18

BID NO. 151-2015

Mar 05, 2015 - 4:00pm P:\354100-554199\354132 - 2015 Local Streets and Alley Renewal\5-R-05\MM\Drawings\Machray Avenue\5514132-Machray Avdng - Job STA 2+00 - STA 3+00