

FORM A: BID
(See B8)

1. Contract Title SUPPLY & DELIVERY OF WIDE AREA MOWERS

2. Bidder

Name of Bidder

Usual Business Name of Bidder as it appears on Invoice (if different from above)

Street

City

Province

Postal Code

Email Address of Bidder

Facsimile Number

(Mailing address if different)

Street or P.O. Box

City

Province

Postal Code

GST Registration Number (if applicable)

The Bidder is:

(Choose one)

a sole proprietor

a partnership

a corporation

carrying on business under the above name.

3. Contact Person

The Bidder hereby authorizes the following contact person to represent the Bidder for purposes of the Bid.

Contact Person

Title

Telephone Number

Facsimile Number

Email Address

4. Definitions

All capitalized terms used in the Contract shall have the meanings ascribed to them in the General Conditions and D3.

5. Offer The Bidder hereby offers to perform the Work in accordance with the Contract for the price(s), in Canadian funds, set out on Form B: Prices, appended hereto.

6. Commencement of the Work The Bidder agrees that no Work shall commence until he/she is in receipt of a notice of award from the Award Authority authorizing the commencement of the Work.

7. Contract The Bidder agrees that the Bid Opportunity in its entirety shall be deemed to be incorporated in and to form a part of this offer notwithstanding that not all parts thereof are necessarily attached to or accompany this Bid.

8. Addenda The Bidder certifies that the following addenda have been received and agrees that they shall be deemed to form a part of the Contract:

No.	_____	Dated	_____
	_____		_____
	_____		_____

9. Time This offer shall be open for acceptance, binding and irrevocable for a period of sixty (60) Calendar Days following the Submission Deadline.

10. Signatures The Bidder or the Bidder's authorized official or officials have signed this _____ day of _____, 20____.

Signature of Bidder or
Bidder's Authorized Official or Officials

(Print here name and official capacity of individual whose signature appears above)

(Print here name and official capacity of individual whose signature appears above)

FORM B: PRICES
(See B9)

SUPPLY & DELIVERY OF WIDE AREA MOWERS

UNIT PRICES

ITEM NO.	DESCRIPTION	SPEC. REF.	UNIT	QUANTITY	UNIT PRICE
1.	11' Wide Area Mower	15071	Each	1	
2.	16' Wide Area Mower	15071	Each	1	

Name of Bidder

FORM N: DETAILED SPECIFICATIONS 15071

Wide Area Mower

1.0 DESCRIPTION OF EQUIPMENT/APPLICATION

- 1.1 **Description-** These specifications describe an **11' and 16' Wide Area Mower** and other equipment and features as specified herein.
- 1.2 The **Wide Area Mowers** shall be a new 2015 model year or newer.
- 1.3 The **Wide Area Mowers** and all other items/components shall be the manufacturer's latest model. The vehicles shall be furnished complete and ready for operation. Any parts or accessories not specifically mentioned, but which are required to complete and place the equipment and associated attachments in successful operation shall be furnished as though specifically mentioned in these specifications. The equipment and associated attachments, and all parts thereof, shall conform in strength and quality of material and workmanship, to the best standards and engineering practice of the industry.
- 1.4 It will be the responsibility of the Bidder to inform the City of any errors or omissions in these specifications, for under this Contract the Contractor shall be held responsible for the satisfactory operational function of the equipment.

2.0 OTHER SPECIFICATIONS AND STANDARDS

- 2.1 All applicable SAE standards form an integral part of these specifications and shall have precedence in any conflict concerning minimum acceptable standards.
- 2.2 The **Wide Area Mowers** shall comply with the applicable regulations:
- National Safety Mark, NSM
 - Manitoba Safety and Health Act, Parts 12, 22
 - Canadian Standards Association, CSA
 - Under Writers of Canada, U/L
 - Society of Automotive Engineers, SAE
 - City of Winnipeg Lighting Visibility
Standard=<http://winnipeg.ca/matmgt/pdfs/PublicWorksEquipLightingVisibility.pdf>.
- 2.3 It will be the responsibility of the Bidder to inform the City of any deficiencies in these specifications, for under this Contract the Contractor shall be held responsible for the design, performance, reliability and satisfactory operational function of the units.

3.0 SERVICE FACILITY-

- 3.1 For the purpose of warranty repairs, the supplier shall have an authorized service facility located within 10 kilometres of the boundaries of the City of Winnipeg. The facility, or a portion thereof, shall be dedicated to the service and maintenance of the type equipment being offered. Further to B9.1, Bidders shall provide a description of the service facility including, but not limited to, number of qualified service staff, years of service experience, and general service capabilities within three (3) Business Days upon request of the Contract Administrator.
- 3.2 If a suitable warranty facility is not available within 10 km of the boundaries of the City of Winnipeg, the Bidder may propose that the City of Winnipeg Repair Facility perform warranty work. Any Work performed by the City of Winnipeg Repair Facility shall be charged to the Contractor at the Facility's shop rate in effect at the time the work is performed (for example, shop rate for 2016: \$88.00/hour and \$ 112.00/hour for overtime and callout).

3.3 **Location of the service facility located within 10 km of the boundaries of the City of Winnipeg.**

The Bidder shall choose and fill in **one (1)** of the Clauses listed below. --- **3.4) or 3.5)**

3.4 Bidder's own facility location. State the location of the service facility below.

3.5 Bidder elects to have warranty work be performed by the City of Winnipeg Repair Facility.

4.0 **REFERENCES**

4.1 If available, please provide five (5) Canadian references where this equipment is used in a working environment where climatic conditions are similar to the City of Winnipeg.

5.0 **MAKE & MODEL**

5.1 **State make and model of the Wide Area Mowers being bid-** _____

6.0 **INSTRUCTIONS FOR COMPLETION OF SPECIFICATIONS**

6.1 Each bid will be evaluated based on adherence to all terms, conditions and requirements outlined in the Bid Opportunity package.

6.2 All items in these specifications must be answered indicating compliance or non-compliance. **BIDDERS SHALL STATE "YES" FOR COMPLIANCE OR STATE DEVIATION**, or give reply where requested to do so. Deviations shall be clearly stated and fully detailed. Alternatives will be considered subject to evaluation.

6.3 **EACH BIDDER IS REQUIRED TO FILL IN EVERY BLANK. FAILURE TO DO SO MAY BE USED AS A BASIS FOR REJECTION OF BID**

7.0 **PERFORMANCE RELIABILITY**

7.1 The responsibility for the design of the **Wide Area Mowers**, its performance and reliability shall rest upon the Contractor.

7.2 The term "repeated failures" as used herein is defined to mean that the same component, subassembly, or assembly develops repeated defects, breakdowns and/or malfunctions rendering the vehicle inoperative, or requiring repeated shop correction, service and/or replacement during the warranty period applicable for said component, subassembly, of assembly. Minor items or ordinary service adjustments are not included, or considered under the scope of "repeated failures", as well as other factors, such as operational damage due to accidents, misuse or lack of proper maintenance, service and lubrication attention by not following the manufacturer's preventative maintenance schedule.

7.3 Where the **Wide Area Mowers** develops "repeated failures" in service, the Contractor shall make any necessary engineering changes, repairs, alterations or modifications in order to guarantee reliability of performance.

7.4 The equipment shall be capable of consistent top performance in City of Winnipeg Environment.
Note: The City of Winnipeg has four seasons with ambient temperatures ranging from approximately 90°F (32°C) to -40°F (-40°C)

8.0 FUEL

8.1 All equipment must be fully fuelled upon delivery (**no exceptions**).

9.0 QUALIFICATIONS OF MANUFACTURER & CONTRACTOR

9.1 The manufacturer of the **Wide Area Mowers** shall have five (5) years continuous experience manufacturing **Wide Area Mowers**.

9.2 The manufacturer shall have in effect a documented quality control program ensuring that the quality of materials and workmanship, including welding, conforms to the best standards and engineering practice of the industry.

9.3 The Contractor shall have five (5) years continuous experience servicing, repairing and maintaining **Wide Area Mowers** of the type being offered.

10.0 SPECIFICATIONS-

10.1	Engine –	Tier IV interim or Final compliant - Engines shall be warranted to use biodiesel at a B2, B5 and/ or B20 blend level (20% biodiesel to 80% ultra low sulphur diesel), where the biodiesel will meet product specification ASTM D6751 to ensure fuel quality, state-	_____
10.2	Horsepower –	(11' Wide area mower) 55 hp-65 @ 2400 rpm- state-	_____
10.2.1	Horsepower –	(16' Wide area mower) 95 hp-105 @ 2400 rpm- state-	_____
10.3	Displacement –	(11' Wide area mower) 120-130 cu.in, state-	_____
10.3.1	Displacement –	(16' Wide area mower) 195-205 cu.in, state-	_____
10.4	Torque-	(11' Wide area mower) 120-130 ft.-lb. of torque, state torque @ rpm-	_____
10.4.1	Torque-	(16' Wide area mower) 290-300 ft.-lb. of torque, state torque @ rpm-	_____
10.5	Cylinders –	(4) cylinder	_____
10.6	Injection –	State Injection type-	_____
10.7	Starting Aid –	Air heater	_____
10.8	Rated Engine Speed –	2200 rpm, state-	_____
10.9	Operating Range –	0-2700 rpm, state-	_____
10.10	Lubrication –	Pressurized, state-	_____
10.11	Oil Filter –	Spin, state-	_____
10.12	Cooling –	Liquid Cooled, state type-	_____

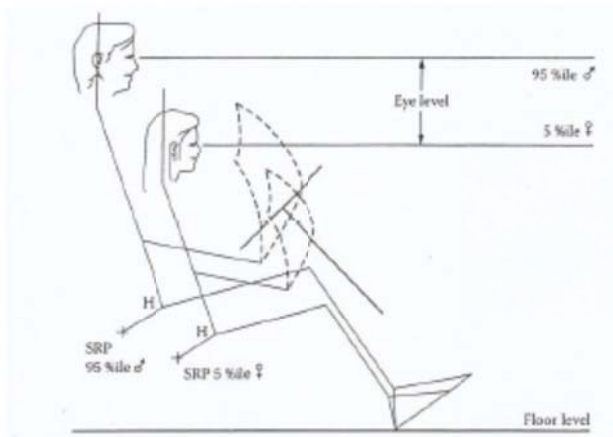
10.13	Cooling System-	Capacity – 8-12 litre with variable speed, temperature actuated reversing fan	_____
10.14	Crankcase Capacity-	State-	_____
10.15	Air Cleaner –	Dual Element, Dry Type	_____
10.16	Air Restriction Indicator –	Required	_____
10.17	Fuel Pump Type –	Electronic High-Pressure Rail	_____
10.18	Fuel Capacity –	25-35 US gal	_____
10.19	Hydraulic Filtration –	State type-	_____
10.20	Electrical -	Charging system – Automotive type	_____
10.21	Alternator –	(11' Wide area mower 40-60 amp)	_____
10.21.1	Alternator –	(16' Wide area mower 100-120 amp)	_____
10.22	Battery Voltage –	12volt, state CCA-	_____
10.23	Lighting-	Headlights with dual taillights, turn signal and flasher, brake lights	_____
10.24	Transmission –	Hydrostatic	_____
10.25	Transaxle Type –	Dual Range Hi/Lo	_____
10.26	Transaxle –	Planetary gear type, with double reduction	_____
10.27	Drive System-	4WD	_____
10.28	(4) Wheel Drive Type –	Parallel hydrostatic, closed loop	_____
10.29	Brakes –	Internal Wet disk	_____
10.30	Steering Brakes –	Individual Foot Operated	_____
10.31	Parking Brakes -	Parking Brakes – Foot Pedal /Disk	_____
10.32	Differential lock-	Front and Rear Hydraulic Flow Divider	_____
10.33	Frame -	State construction-	_____
10.34	Steering -	Hydrostatic Steering With Tilt	_____
10.35	Travel Speeds -	State all travel speeds-	_____
10.36	Canopy/Sunshade-	Required	_____
10.37	Seat -	Air ride suspension, 4-Way adjustable with seat belt. Seat to come with an extra seat belt extension.	_____
10.38	Tires -	State size and ply- Spare front and rear complete with rims required (1 of each)	_____

10.39	Tread -	Turf Tires (spring, summer, fall application)	_____
10.40	Wheel Base -	State-	_____
10.41	Length (with deck) -	State-	_____
10.42	Height (with Rops) -	State-	_____
10.43	Throttle -	Electronic 3 Position or Variable	_____
10.44	Forward/Reverse -	Electronic Single Pedal Forward/Reverse	_____
10.45	Mower lift -	Electro Hydraulic switches, state-	_____
10.46	Indicator lights-	Onboard LCD display shows gauges, alerts/faults, service reminders, electrical system diagnostics. Indicates fuel level, coolant temp, intake temp, low oil pressure, alternator, engine hours, hydraulic oil temp and voltage.	_____
10.47	Diagnostic control-	Onboard diagnostics for engine and hydraulics	_____
10.48	Deck Drive Type -	State type-	_____
10.49	Cutting Widths -	(11' Wide area mower) 130-140 in. with (with 0 uncut circle)	_____
10.49.1	Cutting Widths -	(16' Wide area mower) 180-190 in. with (with 0 uncut circle)	_____
10.50	Deck Width-	(11' Wide area mower) Center Deck cutting width – 60-65 in., state-	_____
10.50.1	Deck Width-	(16' Wide area mower) Center Deck cutting width – 80-90 in., state-	_____
10.51	Wing Width-	(11' Wide area mower) Wing Deck Cutting Width – 40-45 in., state-	_____
10.51.1	Wing Width-	(16' Wide area mower) Wing Deck Cutting Width – 55-60 in., state-	_____
10.52	Discharge -	Rear	_____
10.53	Deck Construction -	State construction type-	_____
10.54	Impact-	2 Way Impact-absorbing wing deck system required	_____
10.55	Safety-	Safety certified and conform to ANSI B71.42004 Safety Certification Specifications for Commercial Turf Care Equipment)	_____
10.56	Deck Thickness -	11/12 gauge high strength steel with reinforced plates and bumpers	_____

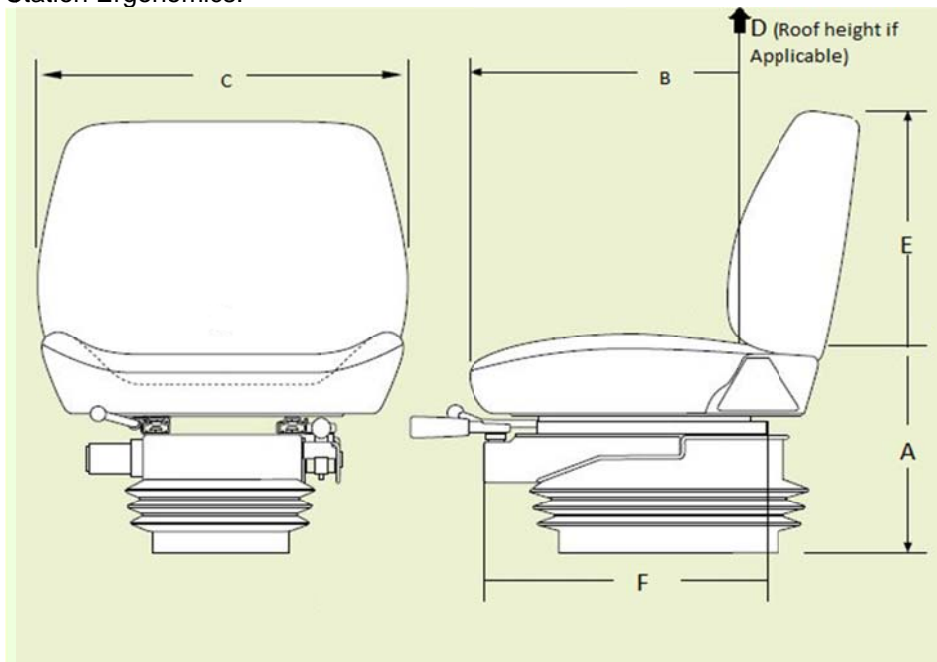
10.57	Cut-Height of cut range-	(11' Wide area mower) 1 – 5 in. Height of cut adjustable in ½ in increments state-	_____
10.57.1	Cut-Height of cut range-	(16' Wide area mower) 1 – 6 in. Height of cut adjustable in ½ in increments state-	_____
10.58	Mowing Rate -	acres per hour, state speed (mph)-	_____
10.59	Caster Wheels -	Foam filled State ply and dimensions-	_____
10.60	Blades -	Flat Blades (not mulching blades) (11' Wide area mower) 3 for center deck, 2 each for side decks, state type-	_____
10.60.1	Blades -	Flat Blades (not mulching blades) (16' Wide area mower) 5 for center deck, 3 each for side decks, state type-	_____
10.61	Blade Length -	State-	_____
10.62	Extra Flat Blades-	(1) set of extra flat blades	_____
10.63	Blade Width -	2.5 in.	_____
10.64	Blade Thickness -	State thickness-	_____
10.65	Blade tip speed -	State-	_____
10.66	Mower Blades-	Interchangeable Mower Blades between all Decks	_____
10.67	Spindle shaft-	State type and construction-	_____
10.68	Fire Extinguisher-	ABC type (2 lb), state location-	_____
10.69	Beacon-	HELLA MLB 10012-24VDC Part #H27996011 LED Micro Light bar 12-24V Magnetic Amber SAE Class 1. Wired directly to ignition switch.	_____
10.70	Towing Provisions-	Towing Provisions required, state location-	_____
10.71	Back up alarm-	Back up alarm required, state dba-	_____
10.72	Slow moving sign-	Required	_____
10.73	Noise decibel rating-	State-	_____
10.74	Ground Clearance-	State-	_____
10.75	Operator Tool Box-	Require small tool box for operator belongings, state Dimensions and location-	_____
10.76	Safety lights-	Turn signals, brake / stop lights	_____
10.77	Spare Wheels-	Spare set of (3) castor wheels. All caster wheels to be solid/foam filled	_____

**OPERATOR STATION
 ERGONOMICS**

11.0 Cab or station layout should provide a comfortable seating position for the 5th to the 95th percentile of personnel. Figure 1 below illustrates the variance between a 5th to a 95th percentile of North American males and females when seated.



11.1 Figure 2: Use the below diagram to answer the specifications for Operator Station Ergonomics.



- | | | | |
|------|---|--|-------|
| 11.2 | Sitting height range from floor (where feet rest) (A) | State , seat height range in inches | _____ |
| 11.3 | Seat length/depth (B) | State , seat length/depth in inches | _____ |
| 11.4 | Seat width (C) | State , seat width in inches | _____ |
| 11.5 | Cab height from seat to roof (if applicable) (D) | State , cab height range in inches | _____ |

- | | | | |
|------|--|---|-------|
| 11.6 | Back rest height (E) | State , back rest height in inches | _____ |
| 11.7 | Seat travel range (F) | State , seat travel in inches | _____ |
| 11.8 | Include any other relevant ergonomic specifications and applicable range of adjustment | | _____ |
-

GREASING SYSTEM

- | | | | |
|------|-----------------|---|-------|
| 12.0 | Greasing system | Groeneveld/CPL Systems Inc. complete CPL automatic greasing system including all required grease points on the flusher body, and automatic low level shut-off with in-cab red light indicator. | _____ |
| 12.1 | Greasing points | State , quantity of greasing points | _____ |
| 12.2 | Grease fittings | Readily accessible with remote grease zerks | _____ |

WARRANTY

- | | | | |
|------|--|--|-------|
| 13.0 | All warranty information shall be detailed and include all exclusions . The successful bidder shall provide all published warranty information upon delivery of the equipment. Bidder shall state all warranty information. | | _____ |
| 13.1 | Basic coverage | (Complete Machine) Warranty 2 years, 2000 hours | _____ |
| 13.2 | Power train | (Engine, Transmission) Warranty 2 years 2000 hours | _____ |
| 13.3 | Hydraulics warranty | (Hydraulics) Warranty 2 years, 2000 hours | _____ |
| 13.4 | Batteries warranty | (Batteries) Warranty 1 year | _____ |
| 13.5 | Tires warranty | (Tires) Warranty 1 year | _____ |
| 13.6 | Electrical warranty | (Electrical) Warranty 2 years, 2000 hours | _____ |

DELIVERY

- | | | | |
|------|--|--|-------|
| 14.0 | Delivery Point: The complete unit shall be serviced, ready for operation and delivered F.O.B. with the freight prepaid, including invoice and N.I.V.S. (if applicable) to the WFMA 185 Tecumseh Street, Winnipeg MB. The successful bidder shall be notified by the Contractor Administrator the delivery address prior to issuance of the purchase order | | _____ |
| 14.1 | Delivery Time: Twelve (12) calendar weeks from the date of award. Equipment shall be delivered between 8:00 am and 3:00 pm on Business Days. | | _____ |

14.3 **Delivery Contact:** The Contractor shall contact the Contract Administrator prior to delivery of the equipment. _____

14.4 **P.D.I:** A pre-delivery inspection shall be performed by the Contractor on the equipment. Proof upon inspection including completed check list _____

MANUALS

15.0 Manuals supplied under this contract. The manuals shall cover the complete equipment including all components thereof, CD is preferred where available. _____

15.1 The following manuals shall be supplied with the units when delivered:

a) Operator's manual – Two (2) per unit (one operator manual shall be sent to the Equipment Operator Training Branch _____

b) Parts and service manuals – one (1) complete sets including preventative maintenance schedules. CDs are preferred. _____

16.0 **PARTS/LABOUR PRICING**

16.1 Bidder to provide City of Winnipeg Parts Discount % Pricing from retail parts pricing. **State percentage discount-** _____

16.2 Bidder to provide City of Winnipeg Labor Discount % Pricing from Retail shop labor rate. **State percentage discount-** _____