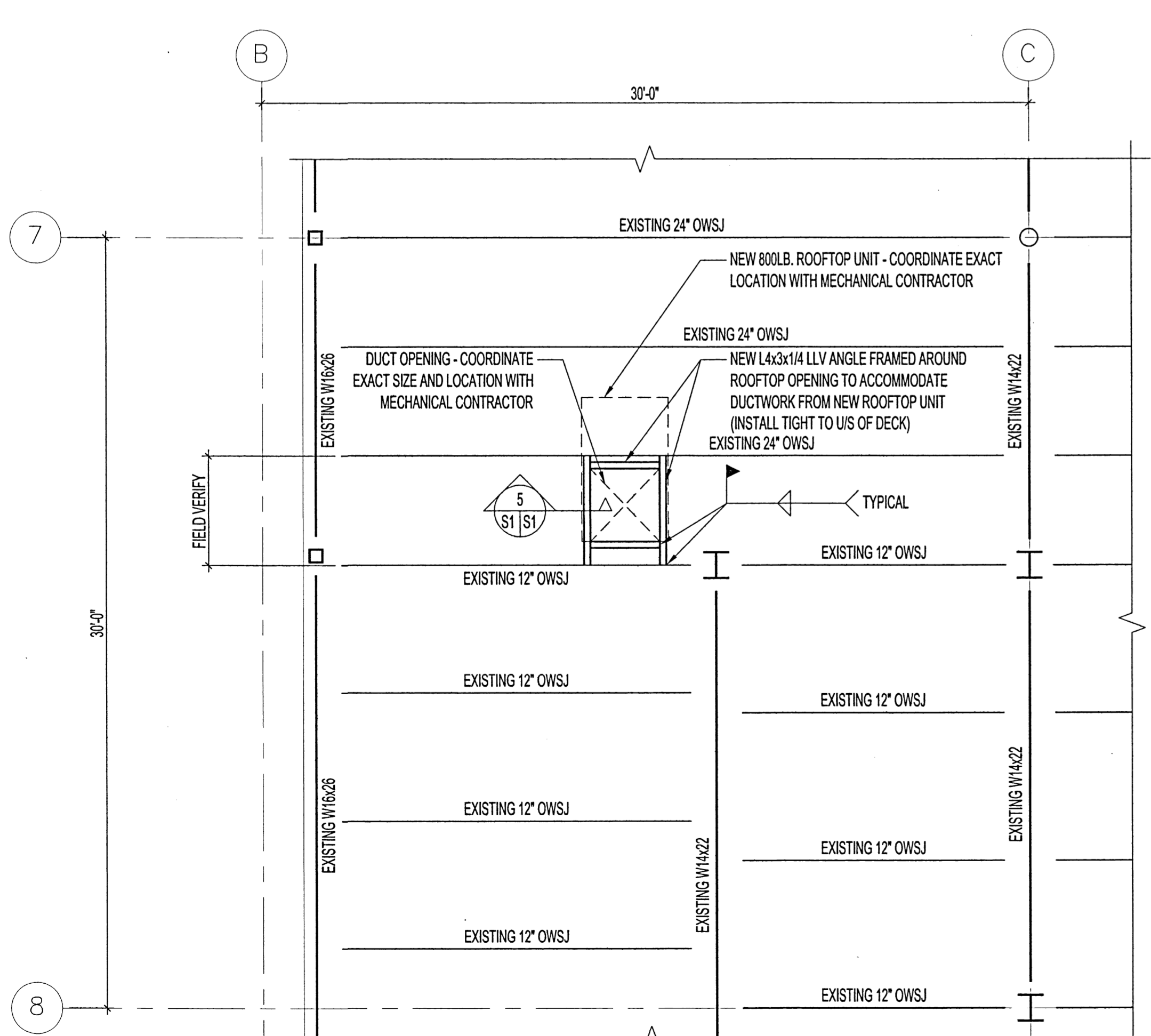
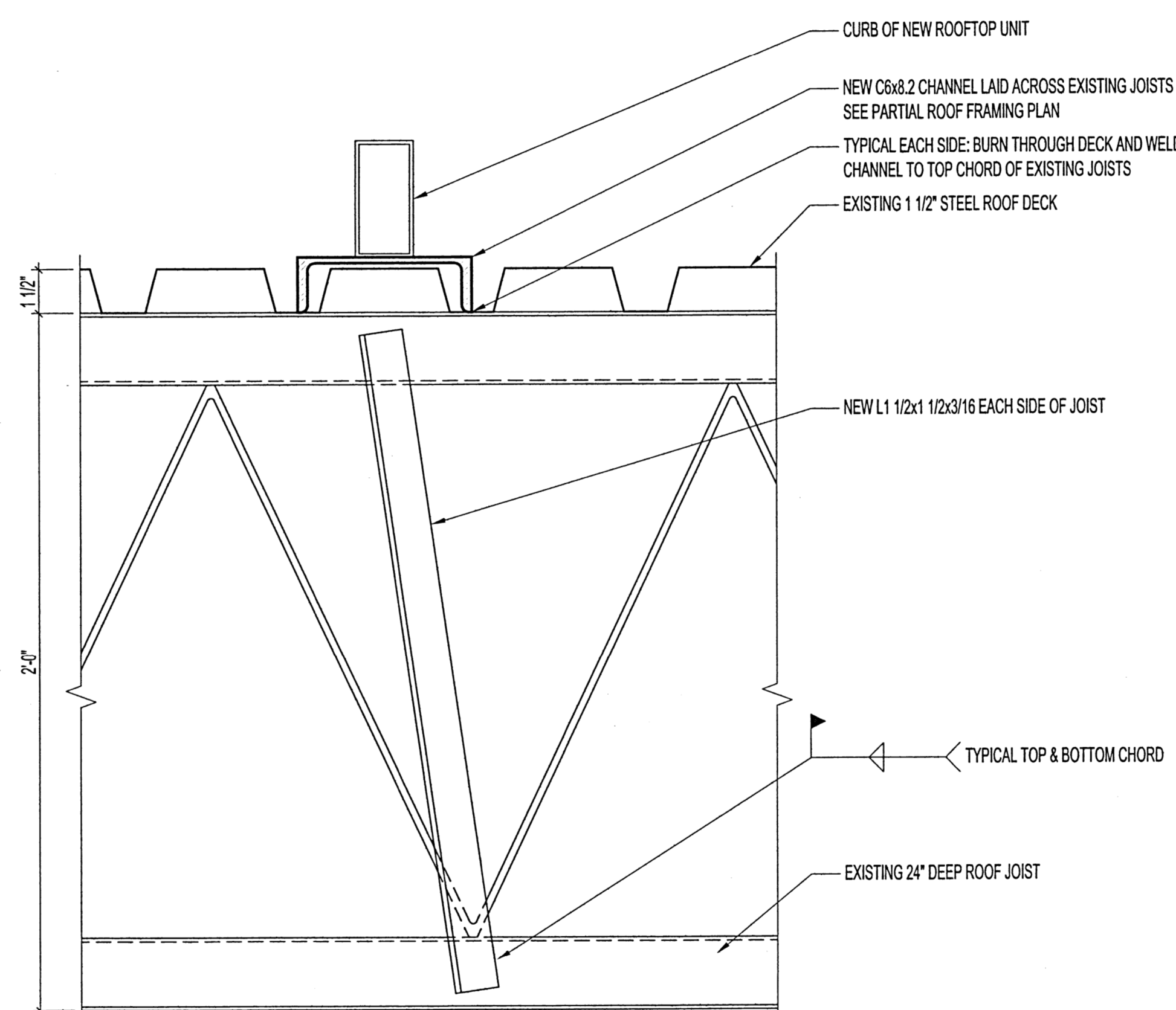


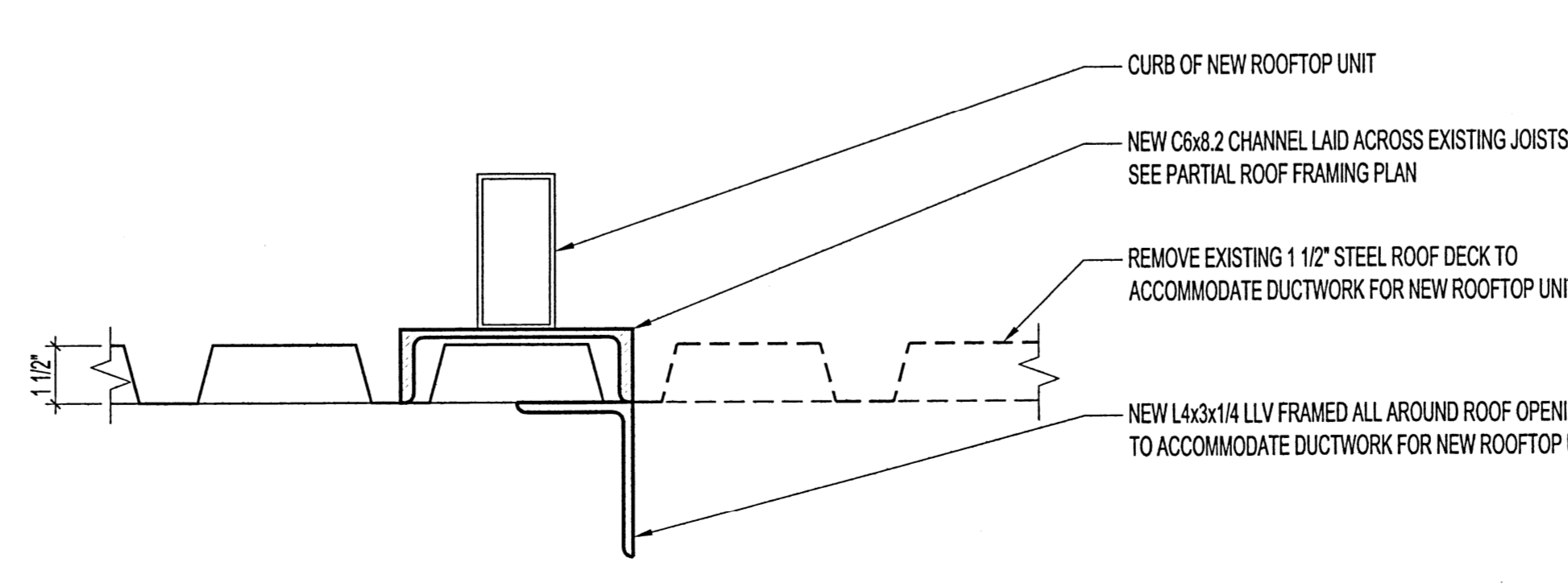
1 PARTIAL ROOF FRAMING PLAN (ABOVE ROOF DECK)
SCALE: 1/4"=1'-0"



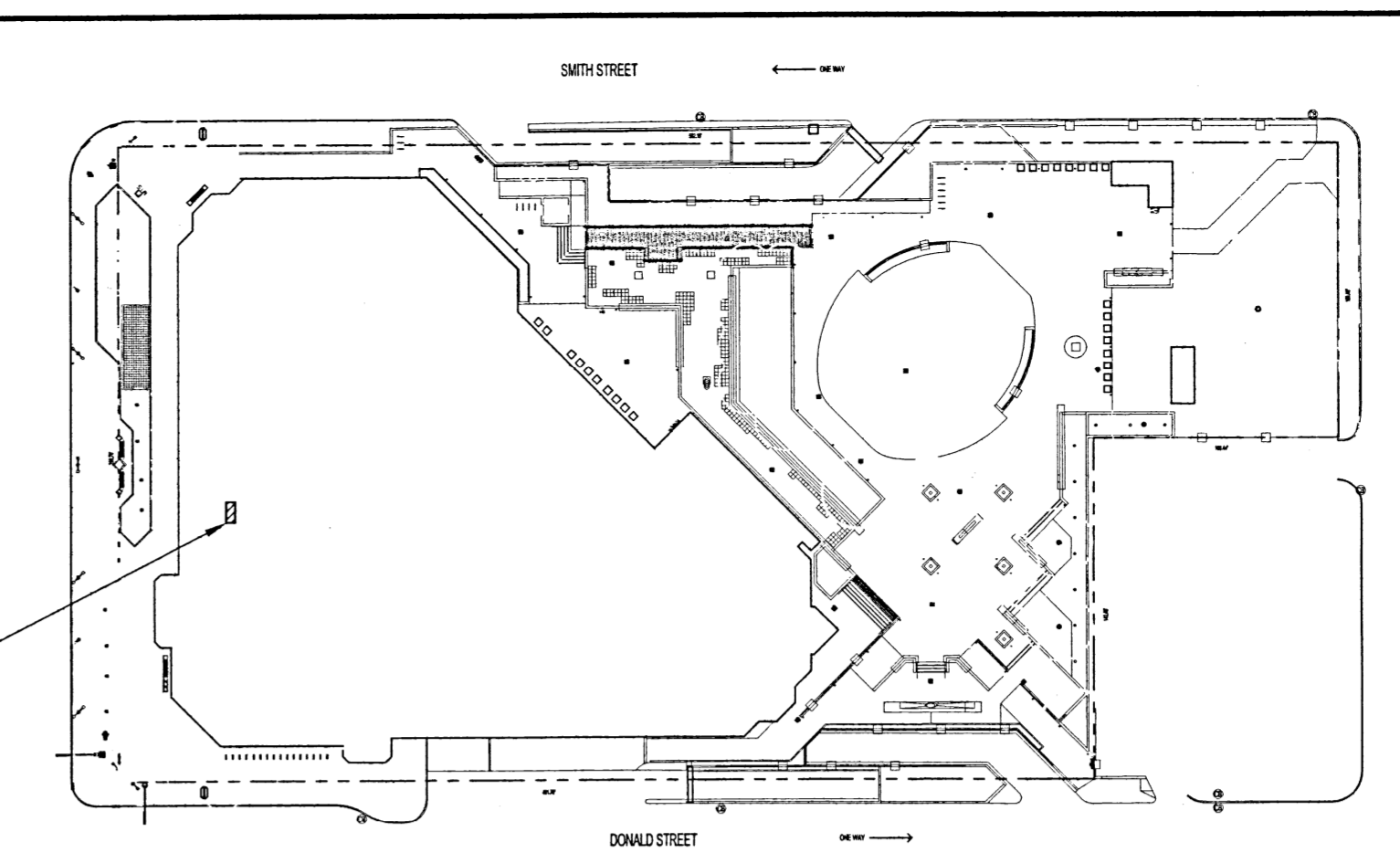
2 PARTIAL ROOF FRAMING PLAN (BELOW ROOF DECK)
SCALE: 1/4"=1'-0"



4 STRUCTURAL FRAMING DETAIL
SCALE: 3/8"=1'-0"



5 STRUCTURAL FRAMING DETAIL
SCALE: 3/8"=1'-0"



3 KEY PLAN
SCALE: N.T.S.

NOTES:
 THESE DRAWINGS SHALL NOT BE SCALED.
 THE CONTRACTOR SHALL VISIT THE SITE AND SATISFY ONESELF ALL DIMENSIONS, DATUM, AND DETAILED INFORMATION SHOWN ARE CORRECT.
 THE CONTRACTOR IS TO REVIEW AND COORDINATE ALL ARCHITECTURAL, MECHANICAL, ELECTRICAL AND STRUCTURAL DRAWINGS FOR ADDITIONAL OPENINGS THROUGH FLOORS, WALLS, AND CEILINGS FOR DUCT, PIPE & ELECTRICAL RISERS AND ALL OPENINGS NOT SHOWN ON DRAWINGS.
 ALL OPENINGS THROUGH FIRE ASSEMBLIES ARE TO BE FIRE STOPPED AND SEALED WITH ULC APPROVED FIRE STOPPING TO MAINTAIN THE INTEGRITY OF THE FIRE SEPARATION, AND PROVIDE A SMOKE-TIGHT BARRIER.
 ALL PRODUCTS AND MATERIALS TO BE USED AND INSTALLED SHALL CONFORM WITH MANUFACTURERS SPECIFICATIONS & APPLICABLE CODES.
 THE CONTRACTOR SHALL BE RESPONSIBLE TO PATCH AND MAKE GOOD ALL EXISTING CONSTRUCTION AFFECTED BY THE REMOVAL OF ALL ITEMS FORMING THE PART OF THE RENOVATION WORK.

GENERAL NOTES

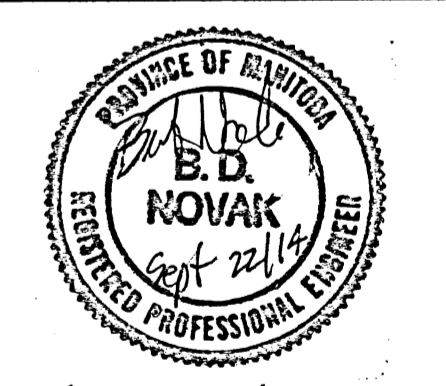
1. THE STRUCTURAL DESIGN IS IN COMPLIANCE WITH THE REQUIREMENTS OF NBC 2010.
2. CITY OF WINNIPEG STANDARDS AND SPECIFICATIONS APPLY TO ALL WORK.
3. DO NOT SCALE DRAWINGS.
4. ALL DIMENSIONS MUST BE FIELD VERIFIED AND CONFIRMED ON-SITE BY THE CONTRACTOR.
5. REPORT DEVIATIONS IN FIELD CONDITIONS OR DESIGN DRAWINGS TO THE CONTRACT ADMINISTRATOR.
6. THE CONTRACTOR IS RESPONSIBLE FOR SURVEYING AND ESTABLISHING ALL WORK ELEVATIONS, LINES AND POINTS.
7. THE CONTRACTOR IS RESPONSIBLE FOR IDENTIFYING AND LOCATING ALL UTILITIES AND SERVICES ON THE SITE.
8. PROTECT EXISTING SITE STRUCTURES, UTILITIES AND TREES DURING THE WORK.
9. PROVIDE SITE CLEAN-UP AT THE END OF THE WORK, TO THE SATISFACTION OF THE CONTRACT ADMINISTRATOR.

STRUCTURAL AND MISCELLANEOUS STEEL

1. STRUCTURAL AND MISCELLANEOUS STEEL FABRICATION AND ERECTION SHALL BE IN ACCORDANCE WITH CAN/CSA-S16.1-M89.
2. STRUCTURAL STEEL SHALL MEET THE REQUIREMENTS OF CAN/CSA-G40.20/G40.21-M92.

ROLLED SHAPES & PLATES	CSA G40.21-300W
HSS SECTIONS	CSA G40.21-350W
STANDARD PIPE	ASTM A53-285W
COLD FORMED STEEL	CSA S136-94
ANCHOR BOLTS (GALV.)	ASTM A307M
BOLTS, NUTS & WASHERS	ASTM A325M
WELDING ELECTRODES	CSA W48.1 M1980
3. WELDING SHALL BE IN ACCORDANCE WITH CSA W59-M1989, BY WELDERS CERTIFIED AND QUALIFIED IN ACCORDANCE WITH CSA W47.1-1983. ALL WELDS TO BE 1/4" UNLESS NOTED OTHERWISE.
4. STRUCTURAL STEEL COMPONENTS TO BE SHOP PRIMED.

0 ISSUED FOR TENDER	JAW 2014.09.19		
No.	REVISION/DESCRIPTION	BY	DATE



DRAWN	CHECKED	DESIGNED	APPROVED
JAW			
DATE	USER	APPROVAL	
2014.07.28			

THE CITY OF WINNIPEG
 PLANNING, PROPERTY AND
 DEVELOPMENT DEPARTMENT
 MUNICIPAL ACCOMMODATIONS DIVISION
 3-65 GARRY STREET, R3C 4K4

PROJECT
 MILLENNIUM LIBRARY
 DESIGN OF LOCAL HISTORY ROOM

251 DONALD STREET
 SHEET TITLE

PARTIAL ROOF FRAMING PLAN,
 DETAILS & NOTES

SCALE	PROJECT No:	SHEET No:
AS SHOWN	2014-052	S1