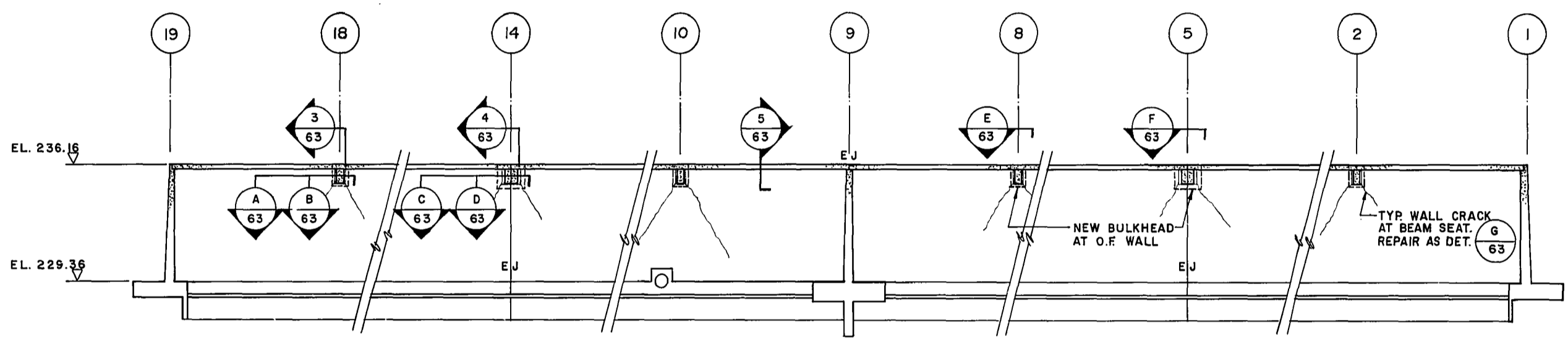
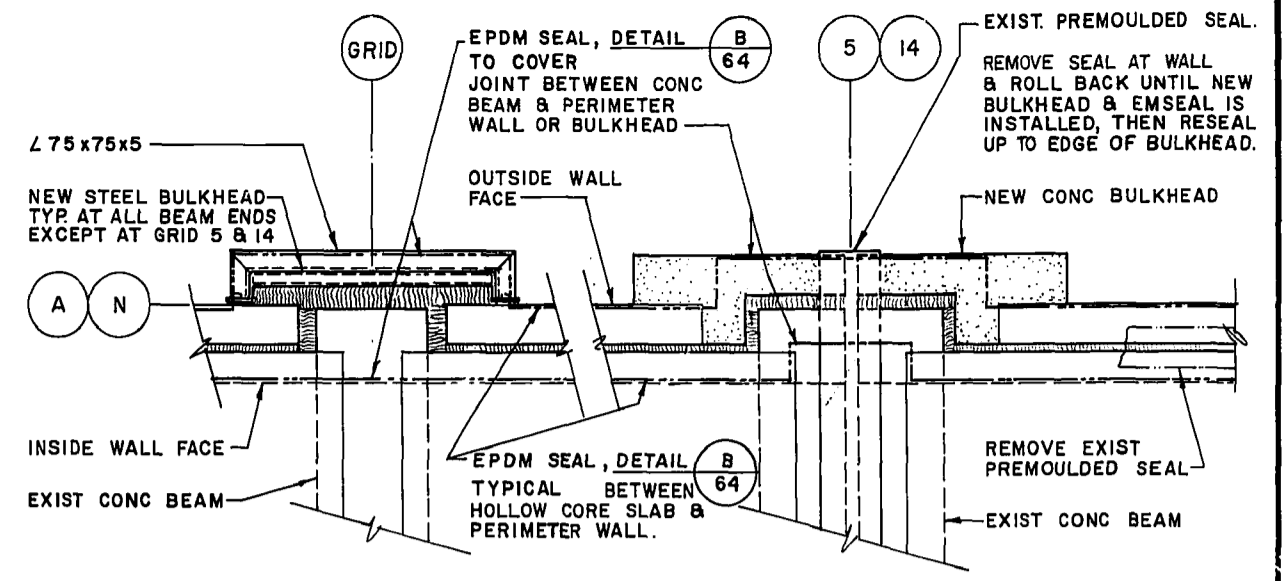


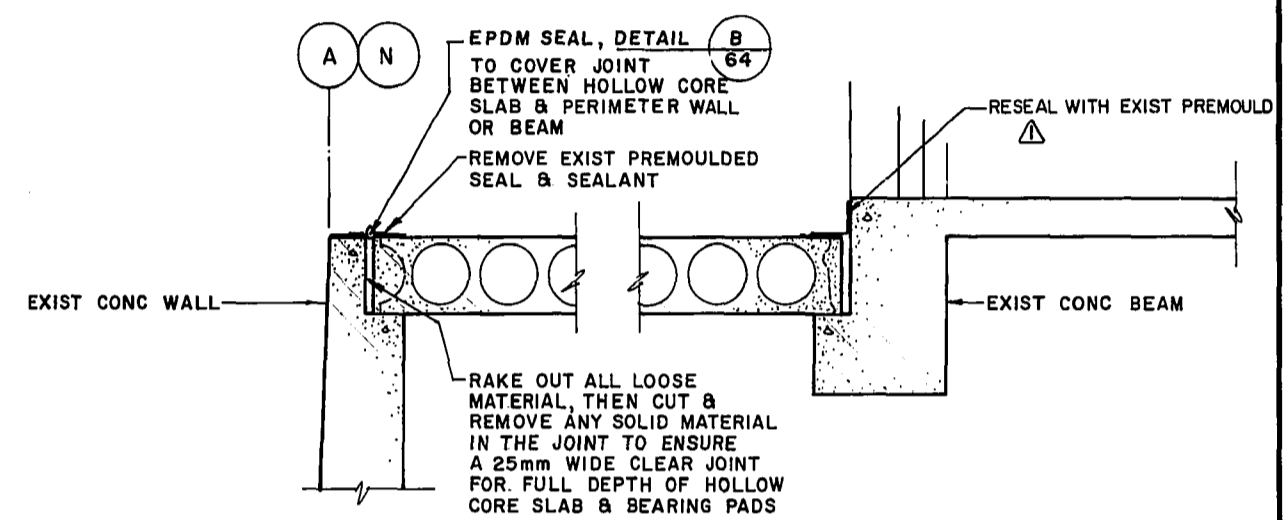
1 PARTIAL ELEVATION WALL LINE A
63 1:200



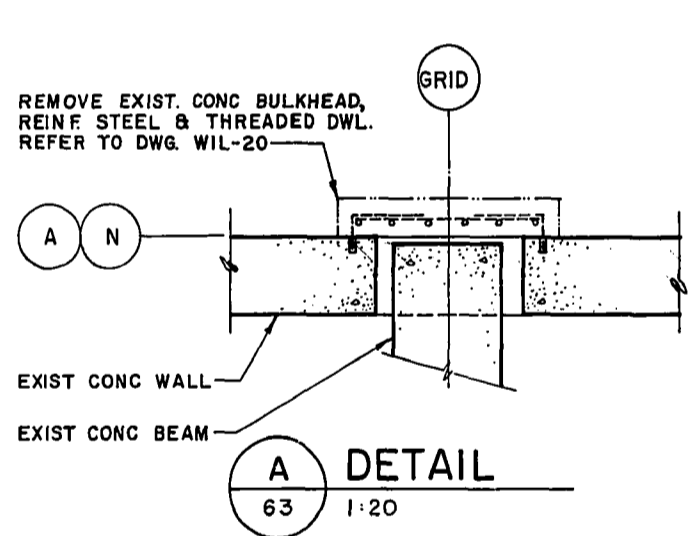
2 PARTIAL ELEVATION WALL LINE N
63 1:200



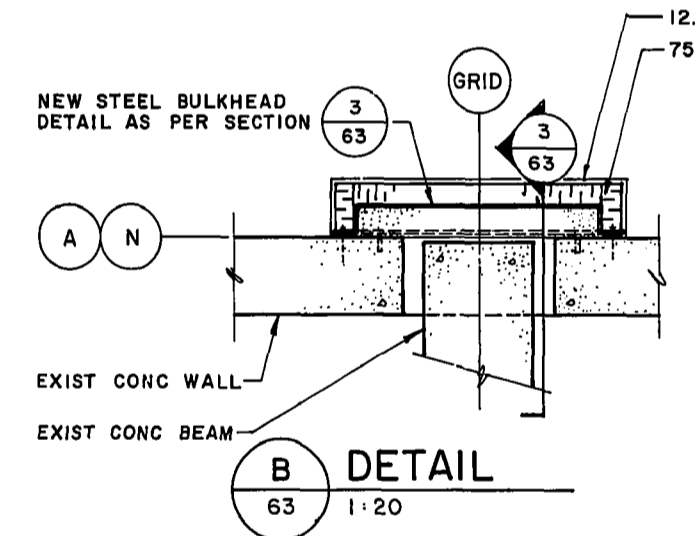
E DETAIL 63 1:20
F DETAIL 63 1:20



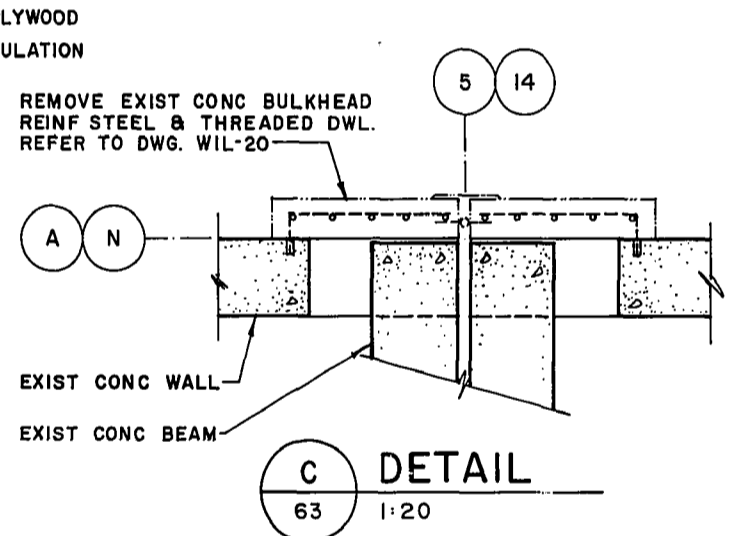
5 SECTION 63 1:20
6 SECTION 63 1:20



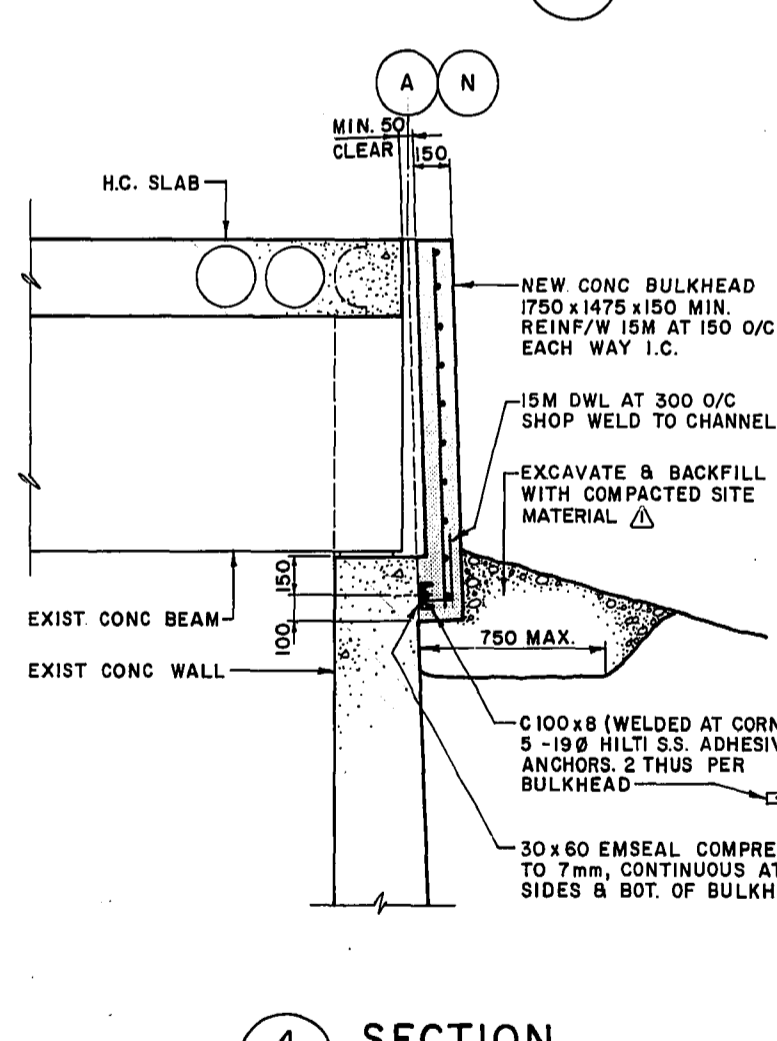
A DETAIL 63 1:20



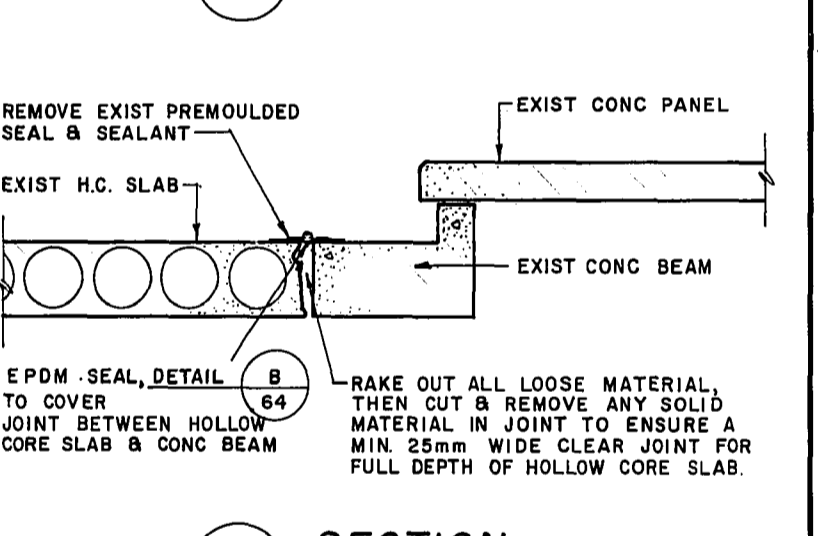
B DETAIL 63 1:20



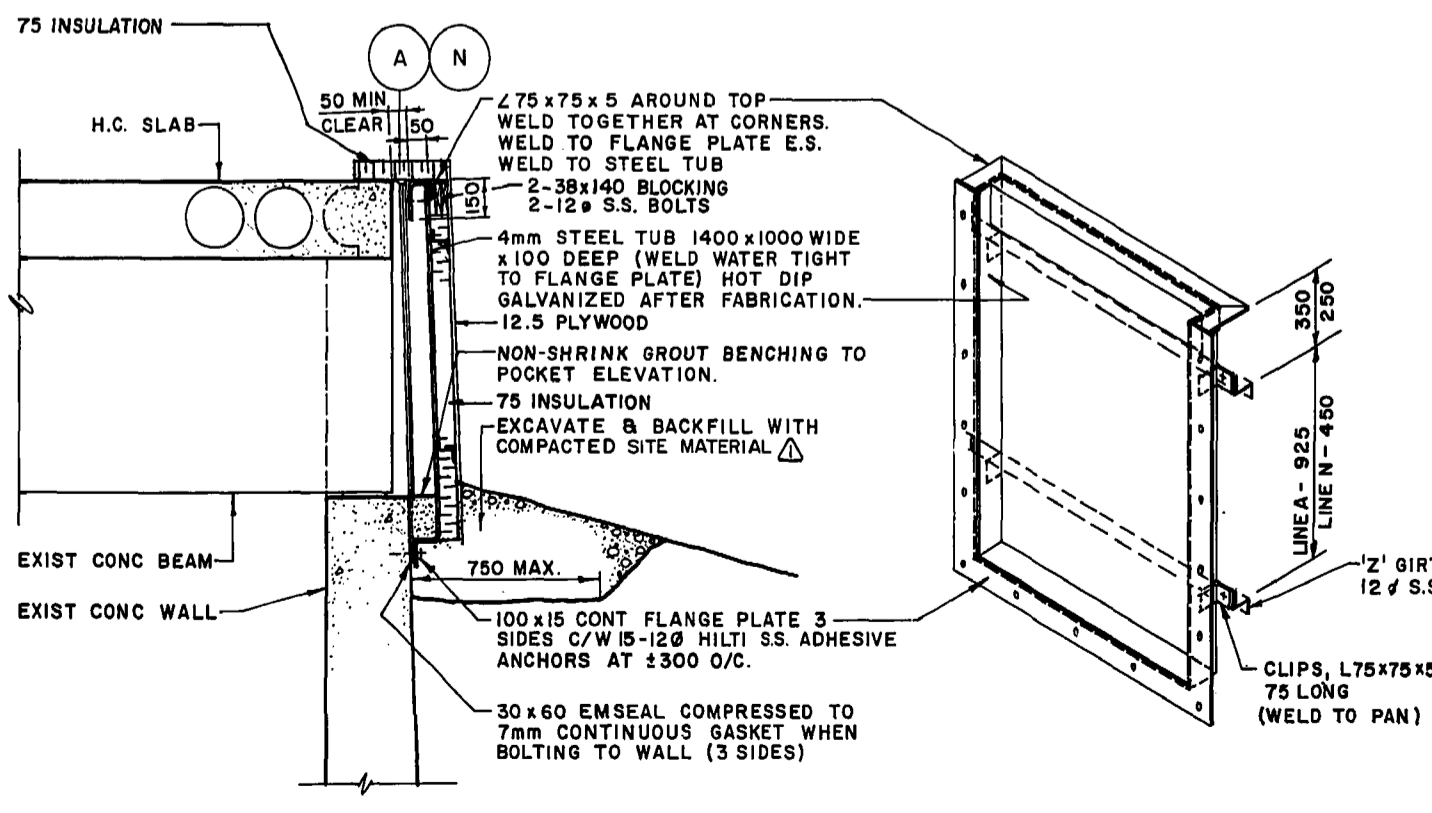
C DETAIL 63 1:20



4 SECTION 63 1:20

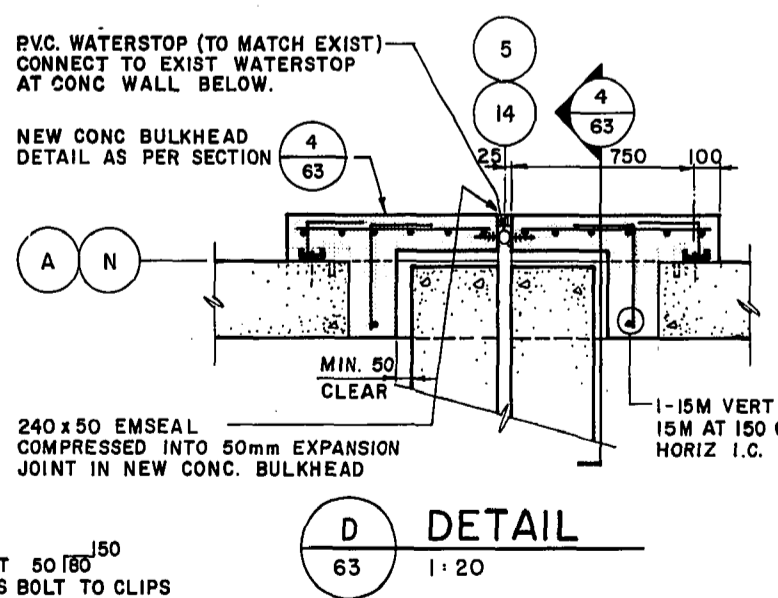


7 SECTION 63 1:20



3 SECTION 63 1:20

ISOMETRIC VIEW OF STEEL BULKHEAD



D DETAIL 63 1:20

RECORD DRAWING

LOCATION APPROVED UNDERGROUND STRUCTURES SUPV. U/G STRUCTURES COMMITTEE DATE _____ NOTE: LOCATION OF UNDERGROUND STRUCTURES AS SHOWN ARE BASED ON THE BEST INFORMATION AVAILABLE BUT NO GUARANTEE IS GIVEN THAT ALL EXISTING UTILITIES ARE SHOWN OR THAT THE GIVEN LOCATIONS ARE EXACT. CONFIRMATION OF EXISTENCE AND EXACT LOCATION OF ALL SERVICES MUST BE OBTAINED FROM THE INDIVIDUAL UTILITIES BEFORE PROCEEDING WITH CONSTRUCTION.		UMA UMA Engineering Ltd. Engineers & Planners 1479 Buffalo Place, Winnipeg, Manitoba, Canada R3T 1L7		ENGINEER'S SEAL 		THE CITY OF WINNIPEG WORKS AND OPERATIONS DIVISION WATERWORKS, WASTE & DISPOSAL DIVISION	
DESIGNED BY S. B. B. DRAWN BY K. J. L.		CHECKED BY [Signature] APPROVED BY [Signature]		RELEASED FOR CONSTRUCTION [Signature]		WILKES RESERVOIR PHASE II CONSTRUCTION STRUCTURAL WORKS GRID A & N WALL REPAIR DETAILS	
TO RECORD DRAWING 10/91 AMU		DATE 1991-01-31		DATE 1991-02-15		CITY DRAWING NUMBER SHEET 3 OF 5 WIL-63	

2do #RE 10317