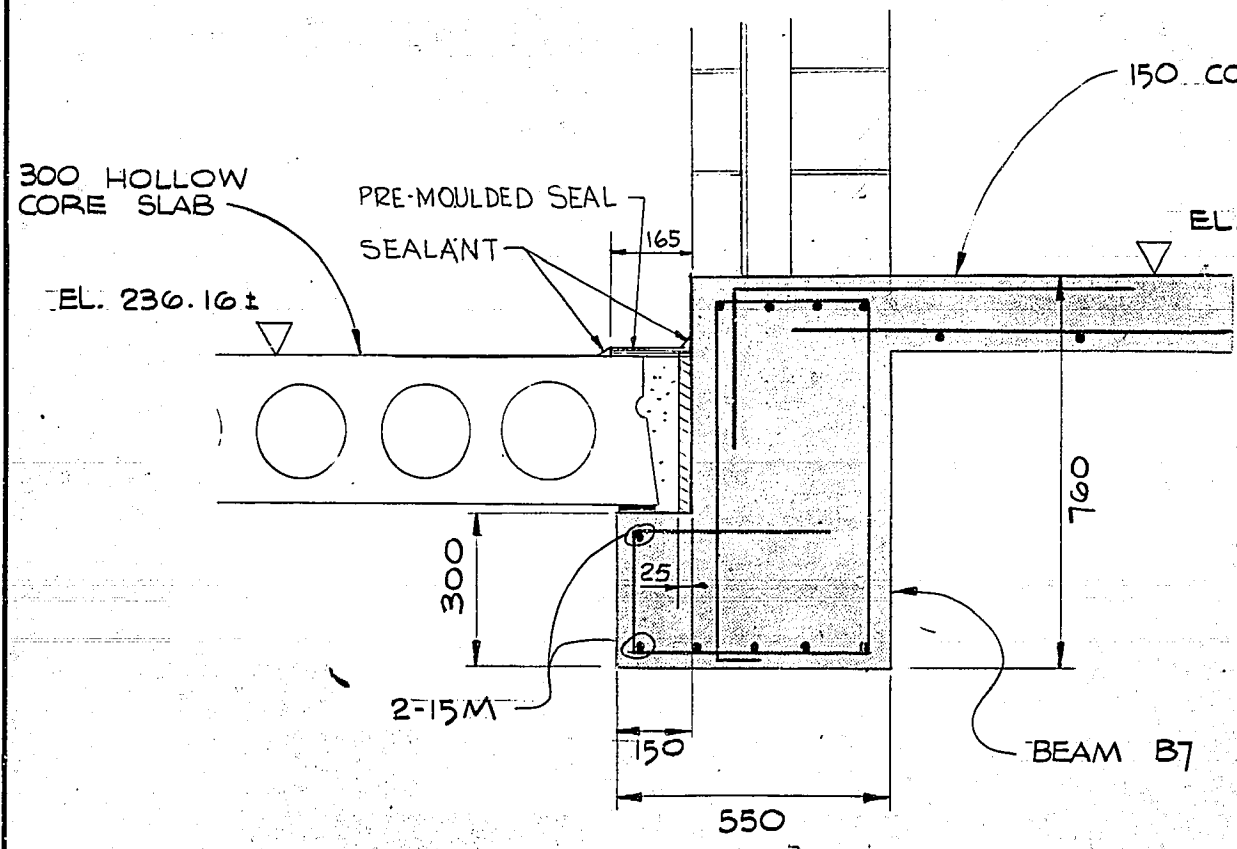
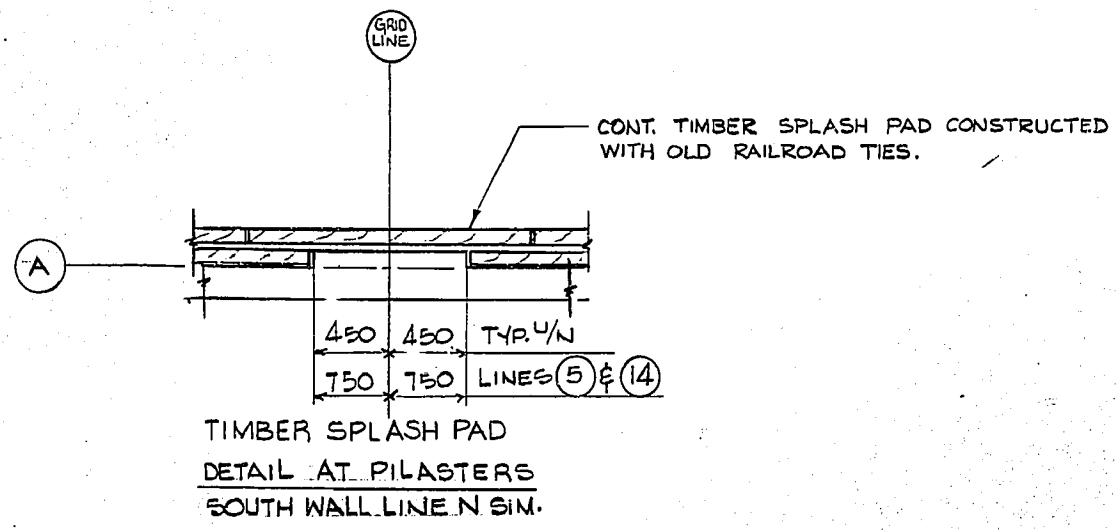
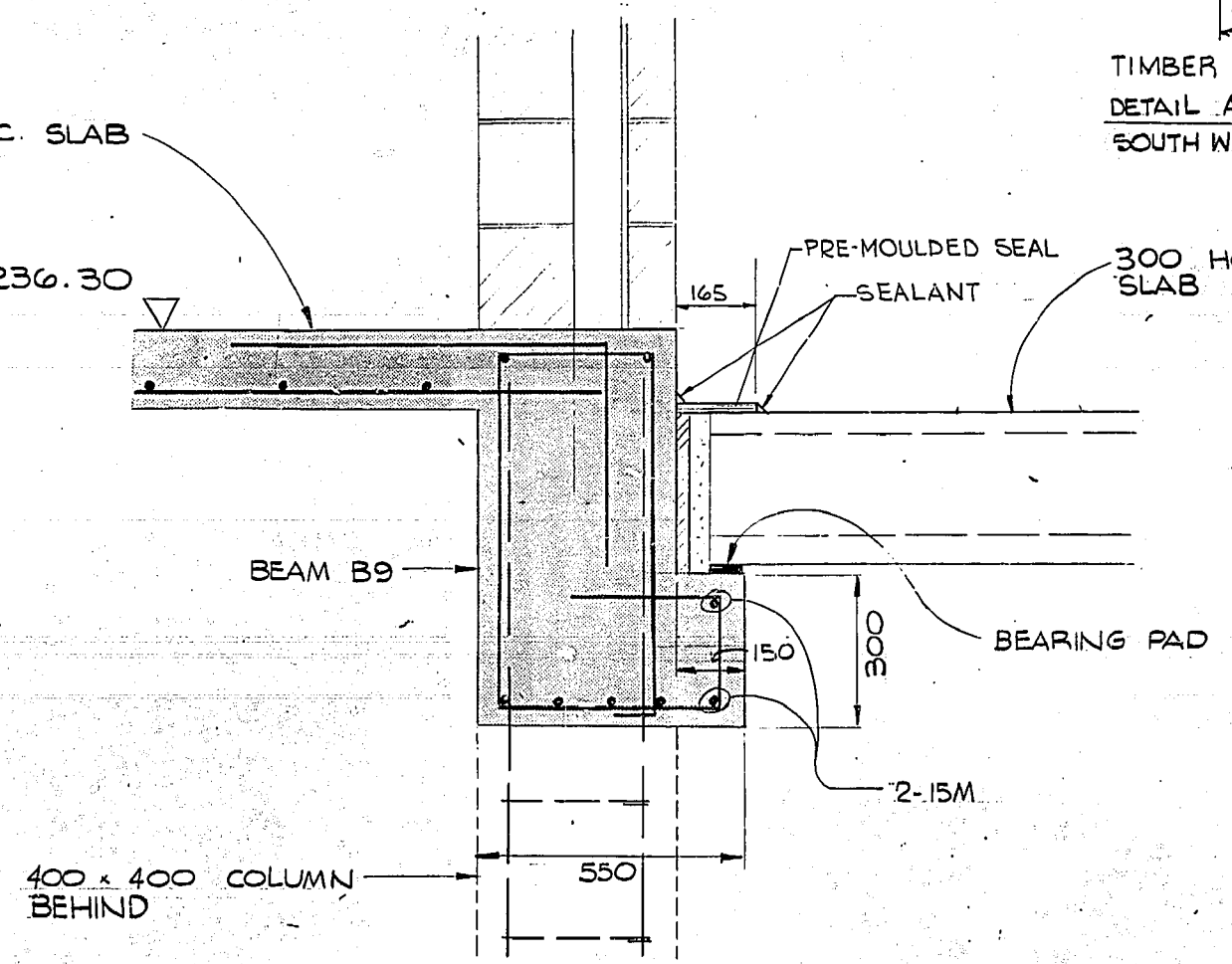


SECTION 1  
29 27

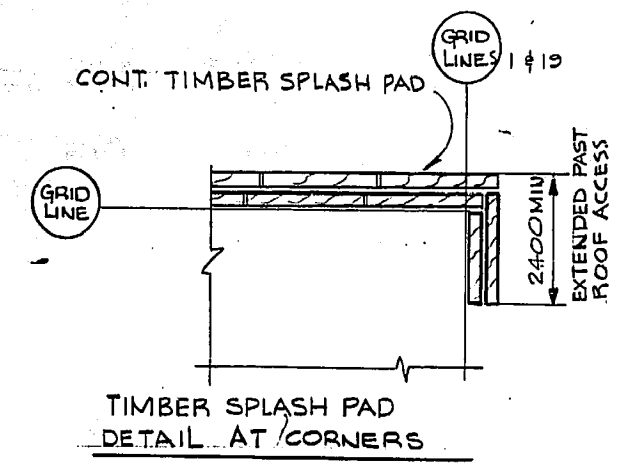
SECTION 2  
29 27



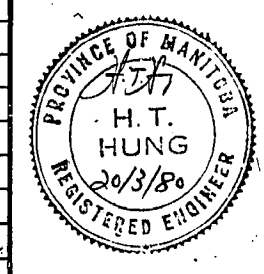
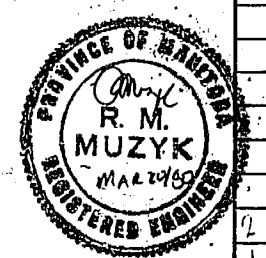
SECTION 3  
29 27



SECTION 4  
29 27



**METRIC NOTES**  
WHOLE NUMBERS IND. MILLIMETRES  
DECIMALIZED EXPRESSIONS IND. METRES



NO.	REVISIONS	DATE	APP.
1	RECORD DRAWING	DEC 10 1980	EEL
1	CONST. RECORD CHANGES	AUG 10 1980	EEL

Underwood McLellan Ltd. Consulting Engineers and Planners	
DESIGNED BY: H.T.H.	DRAWN BY: E.A.P.
CHECKED BY: <i>[Signature]</i>	DATE: MARCH 20, 1980
APPROVED BY: <i>[Signature]</i>	DATE: 20/3/80

**THE CITY OF WINNIPEG**  
WORKS & OPERATIONS DEPARTMENT  
WATERWORKS, WASTE & DISPOSAL DIVISION

**WILKES AVENUE RESERVOIR RECONSTRUCTION**  
ROOF SECTIONS AND DETAILS

RELEASED FOR CONSTRUCTION: *[Signature]* DATE: 20/03/80

SCALE: 1:10 DRAWING NO: **WIL-29**