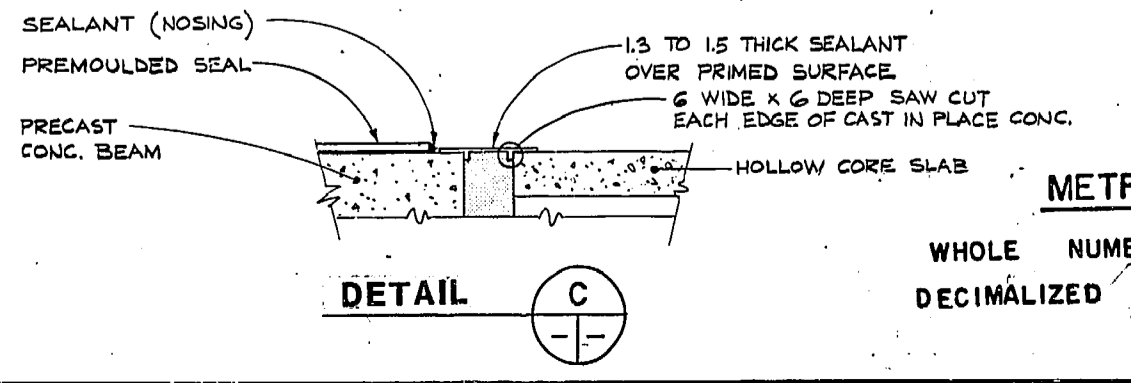


MICRODUXED

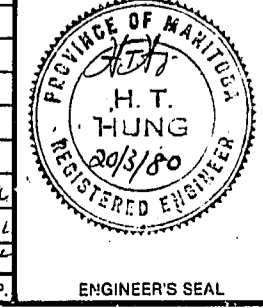
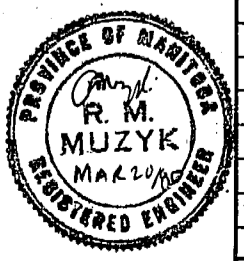
RECORD DRAWING



METRIC NOTES

WHOLE NUMBERS IND. MILLIMETRES

DECIMALIZED EXPRESSIONS IND. METRES



| NO. | REVISIONS | DATE | APP. |
|-----|-----------------------|-----------|------|
| 3 | RECORD DRAWING | DEC 1981 | EEL |
| 2 | CONST. RECORD CHANGES | AUG 82 | EEL |
| 1 | ADDENDUM 1 | 22 APR 80 | |

Underwood McLellan Ltd. Consulting Engineers and Planners

| | |
|---------------------|----------------------|
| DESIGNED BY: H.T.H. | DRAWN BY: E.A.P. |
| CHECKED BY: | DATE: MARCH 20, 1980 |
| APPROVED BY: | DATE: 20/3/80 |

THE CITY OF WINNIPEG

WORKS & OPERATIONS DEPARTMENT

WATERWORKS, WASTE & DISPOSAL DIVISION

WILKES AVENUE RESERVOIR RECONSTRUCTION

ROOF SECTIONS AND DETAILS

RELEASED FOR CONSTRUCTION DATE: 20/03/80

SCALE: 1:20

DRAWING NO: WIL-28

REV. 3