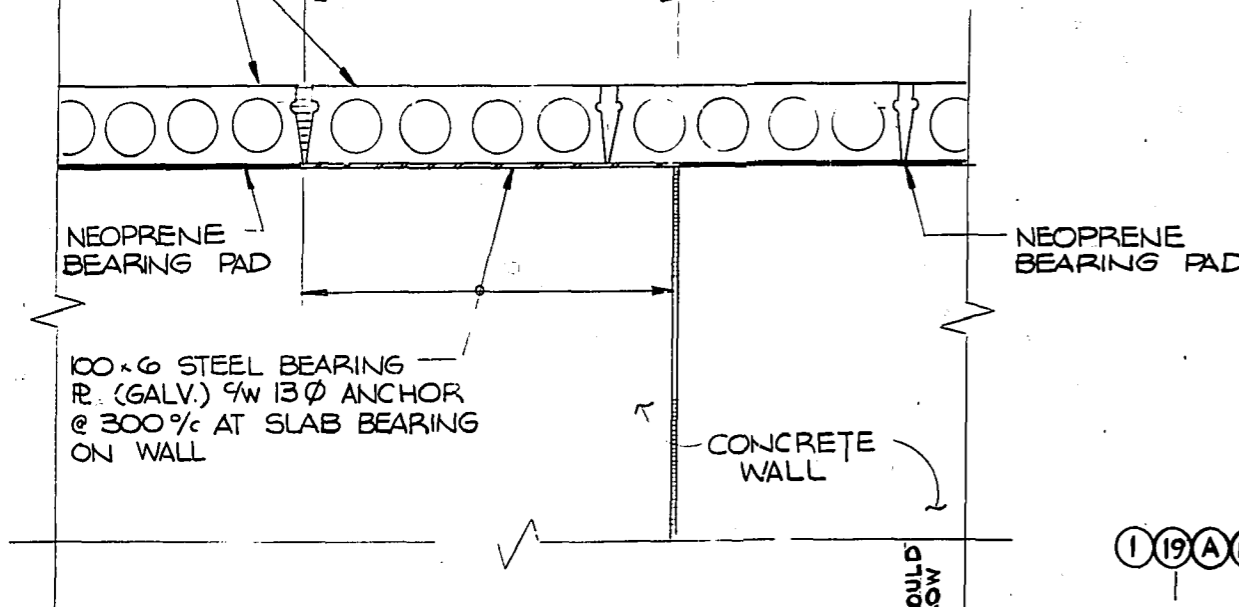


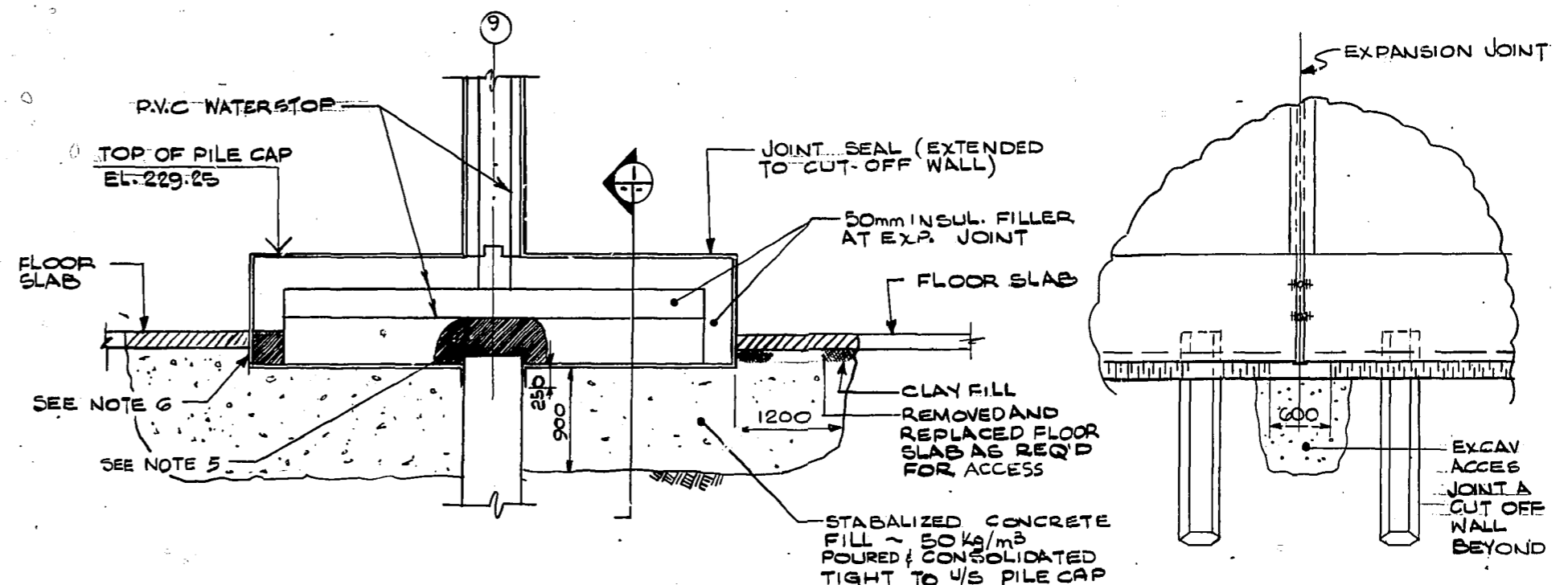
**ELEVATION WALL LINE N**  
1:200

ROOF EXPANSION JOINT  
300 HOLLOWCORE SLAB  
WALL EXPANSION JOINT  
3000 FROM LINE G ON LINE I  
600 FROM LINE G ON LINE 19  
1000 FROM LINE G ON LINE 9 EA. SIDE  
4200 FROM LINE 9 ON LINE N

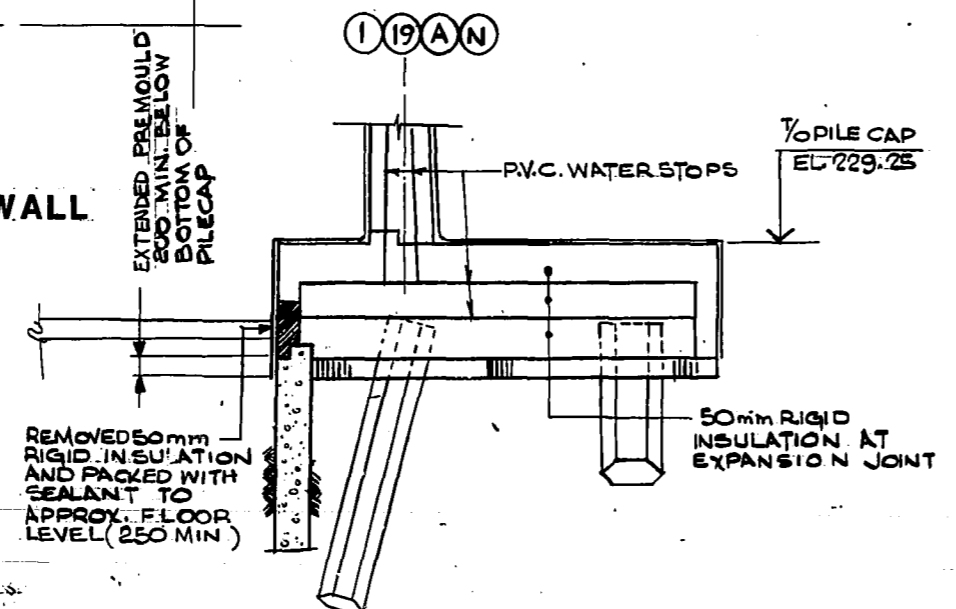


**EXPANSION JOINT AT TOP OF WALL**

**DETAIL**  
1:20



**SECTION THRU DIVIDER WALL AT EXPANSION JOINT**



**SECTION AT EXPANSION JOINT**

(8 EXPANSION JOINTS THUS)

**NOTES:**

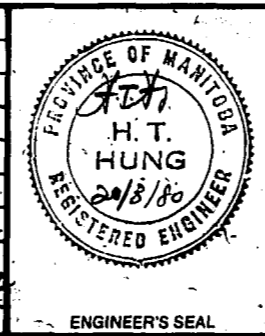
- EXCAVATED TRENCH TO WIDTH AND DEPTH REQUIRED FOR CUT OFF WALL TO UNDISTURBED SOIL ON EACH SIDE OF WALL. SEE DWG. WL-2 FOR SUCTION LINE LOCATION
- REINFORCING STEEL CAGE AND CONCRETE PLACED IMMEDIATELY AFTER TRENCHING
- TYPE 50 SULPHATE RESISTANT CEMENT WAS USED FOR CONCRETE WITH COMPRESSIVE STRENGTH OF 35 MPa @ 28 DAYS
- PRECAST CONCRETE PILES WERE INSTALLED 7 DAYS AFTER CUT OFF WALL WAS POURED.
- REMOVED 50mm RIGID INSULATION JOINT FILLER AS SHOWN. AIR DRIED SURFACES FILL WITH JOINT SEALANT TIGHT TO RIGID INSULATION, WATERSTOP AND CONCRETE
- REMOVED 50mm RIGID INSULATION JOINT FILLER AIR DRIED SURFACES FILL WITH JOINT SEALANT

**RECORD DRAWING**

**METRIC NOTES**  
WHOLE NUMBERS IND. MILLIMETRES  
DECIMALIZED EXPRESSIONS IND. METRES



NO.	REVISIONS	DATE	APP.
3	RECORD DRAWING	NOV 26/80	EEL
2	CONST. RECORD CHANGES	AUG 21/80	EEL
1	WALL LINE N REVISED	APR 23/80	EEL



DESIGNED BY: H.T.H.		DRAWN BY: T.H.	
CHECKED BY:		DATE: MARCH 20, 1980	
APPROVED BY:		DATE: 20/3/80	

**THE CITY OF WINNIPEG**  
WORKS & OPERATIONS DEPARTMENT

**WILKES AVENUE RESERVOIR RECONSTRUCTION**  
WALL - LINE N  
RELEASED FOR CONSTRUCTION: DATE: 20/03/80  
SCALE: AS NOTED  
DRAWING NO: WL-19