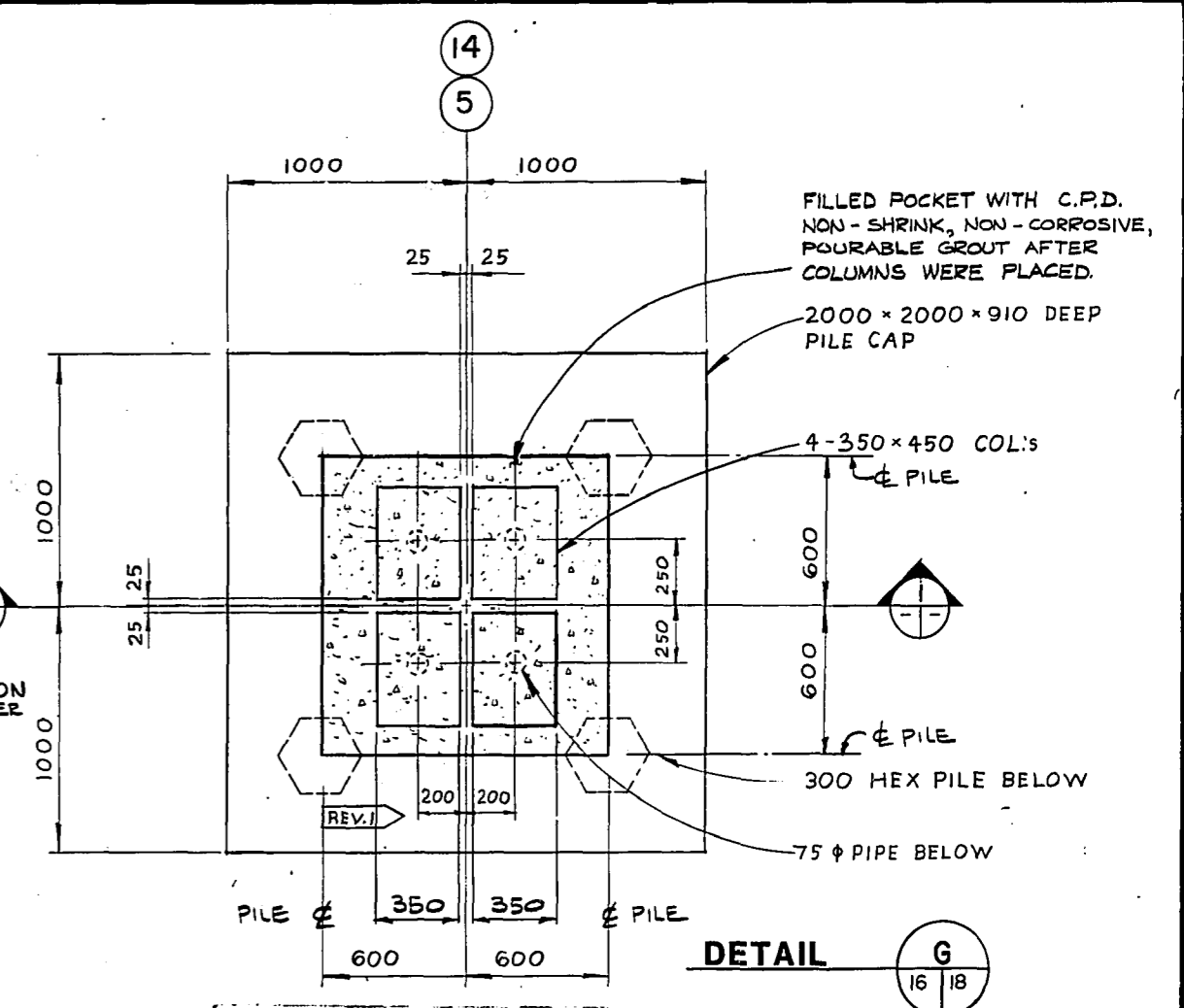
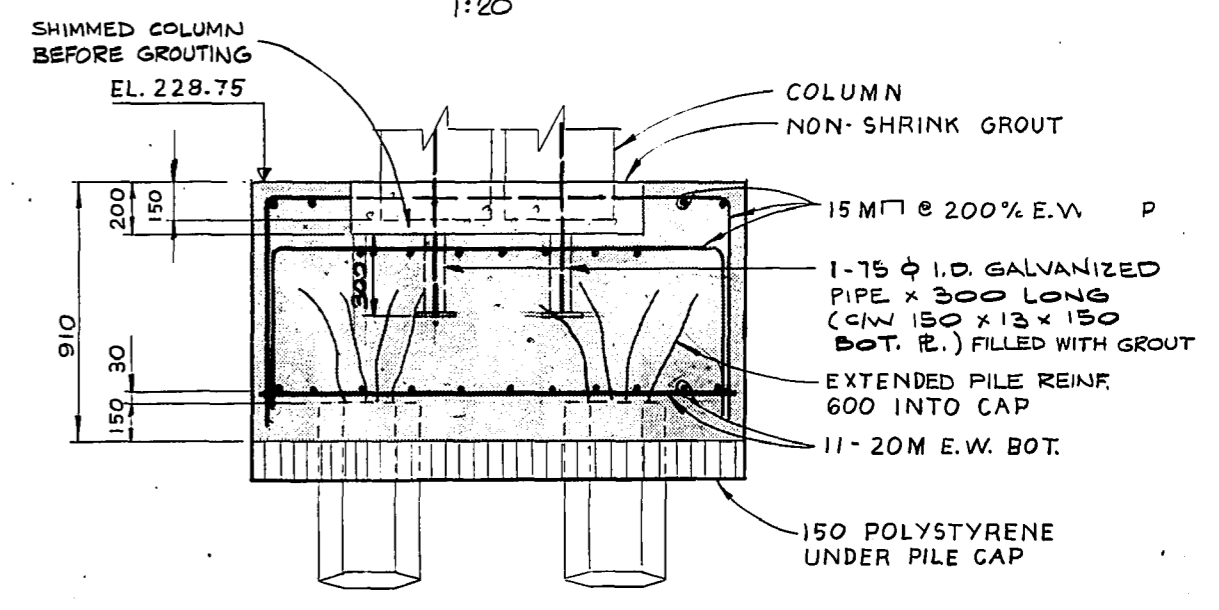


150 CONC. REPLACEMENT SLAB
TYP. AROUND FOOTINGS
SEE DWG. CO.-9 FOR DIMENSIONS

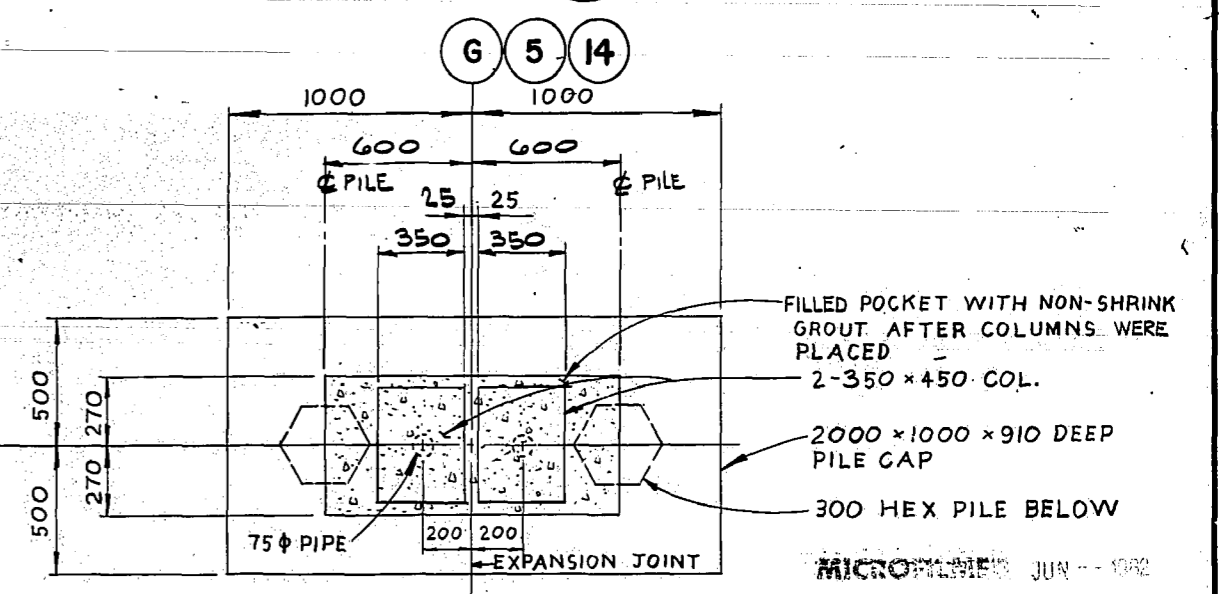
FLOOR PLAN
1:500



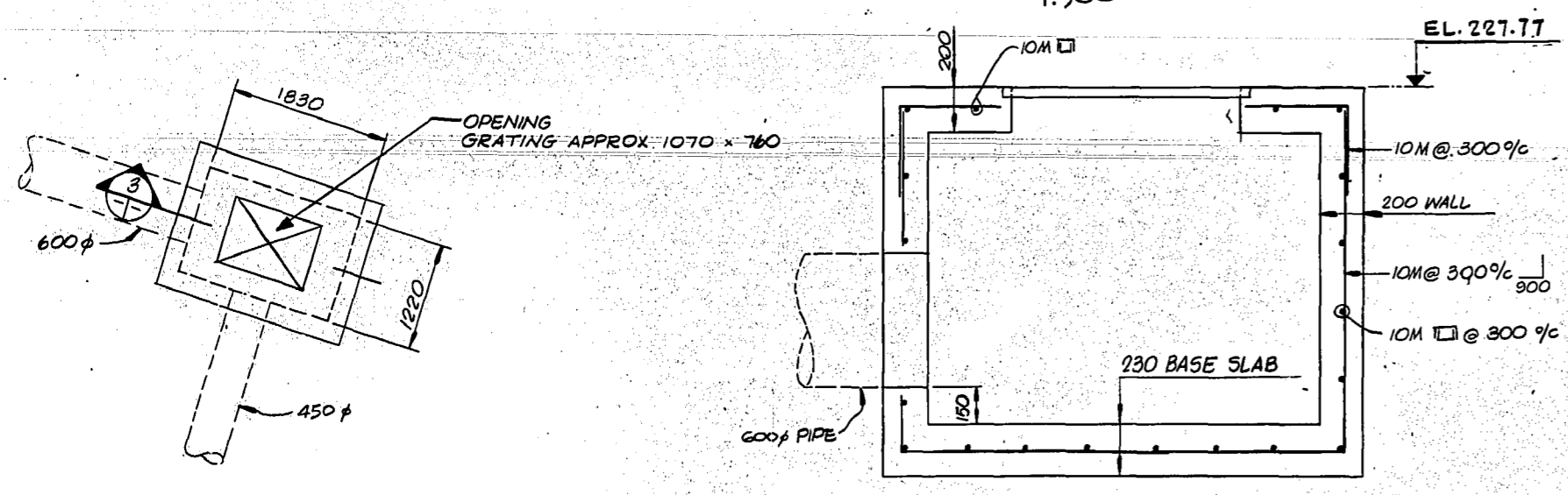
4-PILE CAP PLAN
1:20



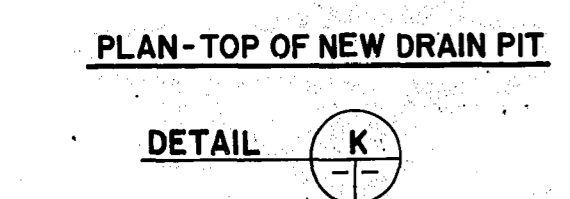
SECTION 1
1:20



DOUBLE PILE CAP PLAN
1:20
FOR DOUBLE PILES AT EXPANSION JOINTS ON LINE (5) (14) AND (6)



SECTION 3
1:50



DETAIL K

METRIC NOTES
WHOLE NUMBERS IND. MILLIMETRES
DECIMALIZED EXPRESSIONS IND. METRES



NO.	REVISIONS	DATE	APP.
3	REC'D CHANGES	NOV 20 1980	EEL
2	CONST. RECORD CHANGES	AUG 18 1980	EEL
1	ADDENDUM NO. 1	23 APR 80	AP



Underwood McLellan Ltd.
Consulting Engineers and Planners

DESIGNED BY: H.T.H. DRAWN BY: G.S.H.
CHECKED BY: DATE: MARCH 20, 1980
APPROVED BY: DATE: 20/3/80

THE CITY OF WINNIPEG
WORKS & OPERATIONS DEPARTMENT

WILKES AVENUE RESERVOIR RECONSTRUCTION
RESERVOIR FLOOR PLAN

RELEASED FOR CONSTRUCTION: DATE: 20/3/80
SCALE: AS NOTED DRAWING NO: WIL-16
REV. 3