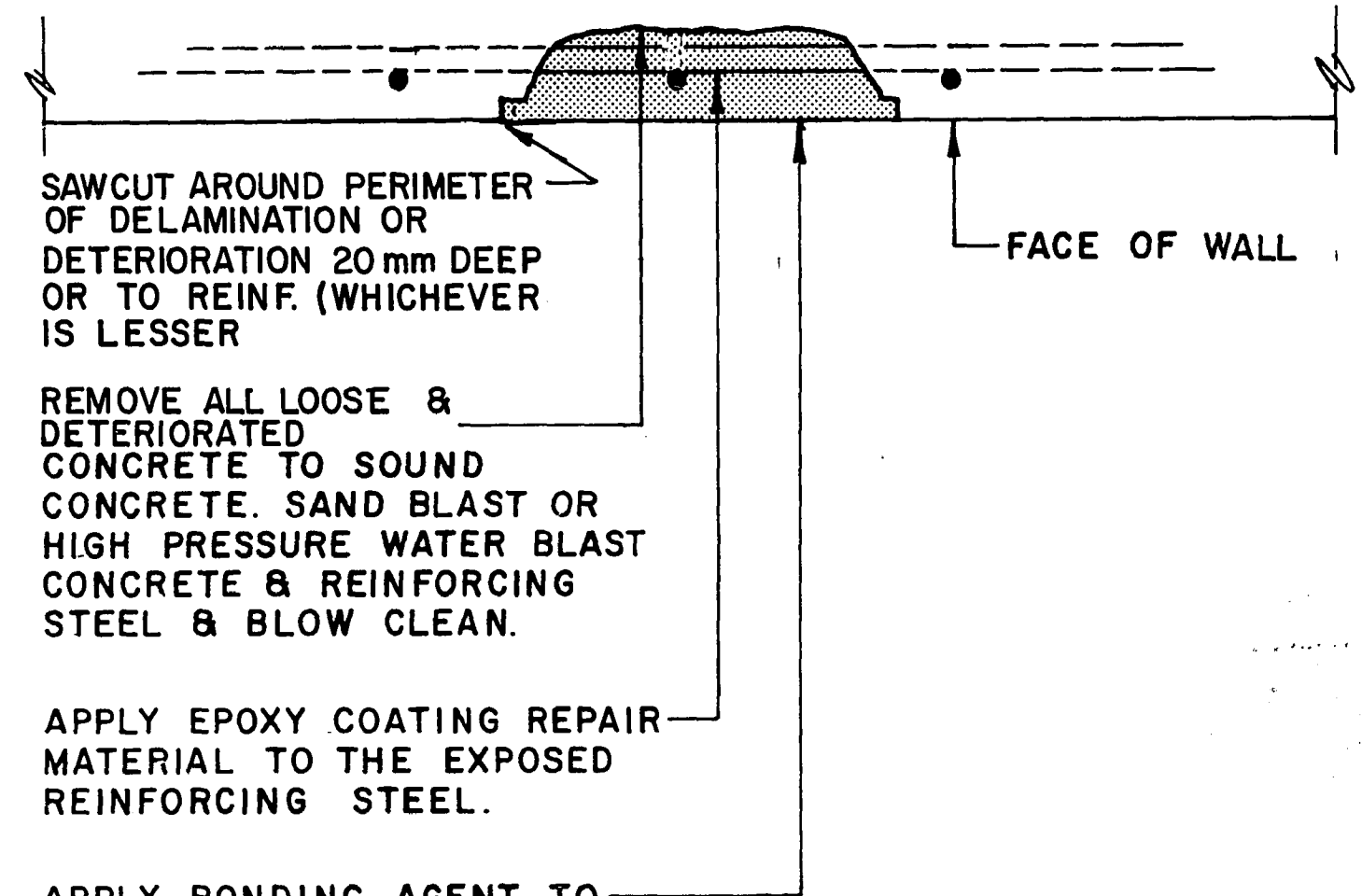


CONSTRUCTION SEQUENCE

- BREAK INTO CORE - HOLE SPACING: 1200 O/C MAXIMUM
- CLEAN CORE
- INSTALL PLYWOOD PLUGS
- INSTALL REINF. BAR ON HIGH CHAIRS
- PUMP 40 mPa CONCRETE TO COMPLETELY FILL CORE & BREAK-INS



1 DETAIL
 SD-15 REPAIRS TO EXIST. WALLS EXTERIOR FACE BELOW GRADE
 1:20

RECORD DRAWING

TO RECORD DRAWING 11/92
 P.D. NO. 91-249

uma UMA Engineering Ltd.
 Engineers & Planners
 1479 Buffalo Place, Winnipeg, Manitoba, Canada R3T 1L7

CITY OF WINNIPEG	
WILKES AVE. RESERVOIR, PHASE II	
TITLE: HOLLOW CORE CRACK REPAIRS	
JOB No. 41-13-0265-259-02	DATE: 91-10-25
DRAWN: J.C.	DWG. No. SD-16
CHECKED: J.R.C.	

RECORD DRAWING

FILE # RE 10377
 TO RECORD DRAWING 11/92
 P.D. NO. 91-249

uma UMA Engineering Ltd.
 Engineers & Planners
 1479 Buffalo Place, Winnipeg, Manitoba, Canada R3T 1L7

CITY OF WINNIPEG	
WILKES AVE. RESERVOIR, PHASE II	
TITLE: WALL REPAIR DETAIL	
JOB No. 41-13-0265-259-02	DATE: 91-10-25
DRAWN: J.C.	DWG. No. SD-15
CHECKED: J.R.C.	

8-638