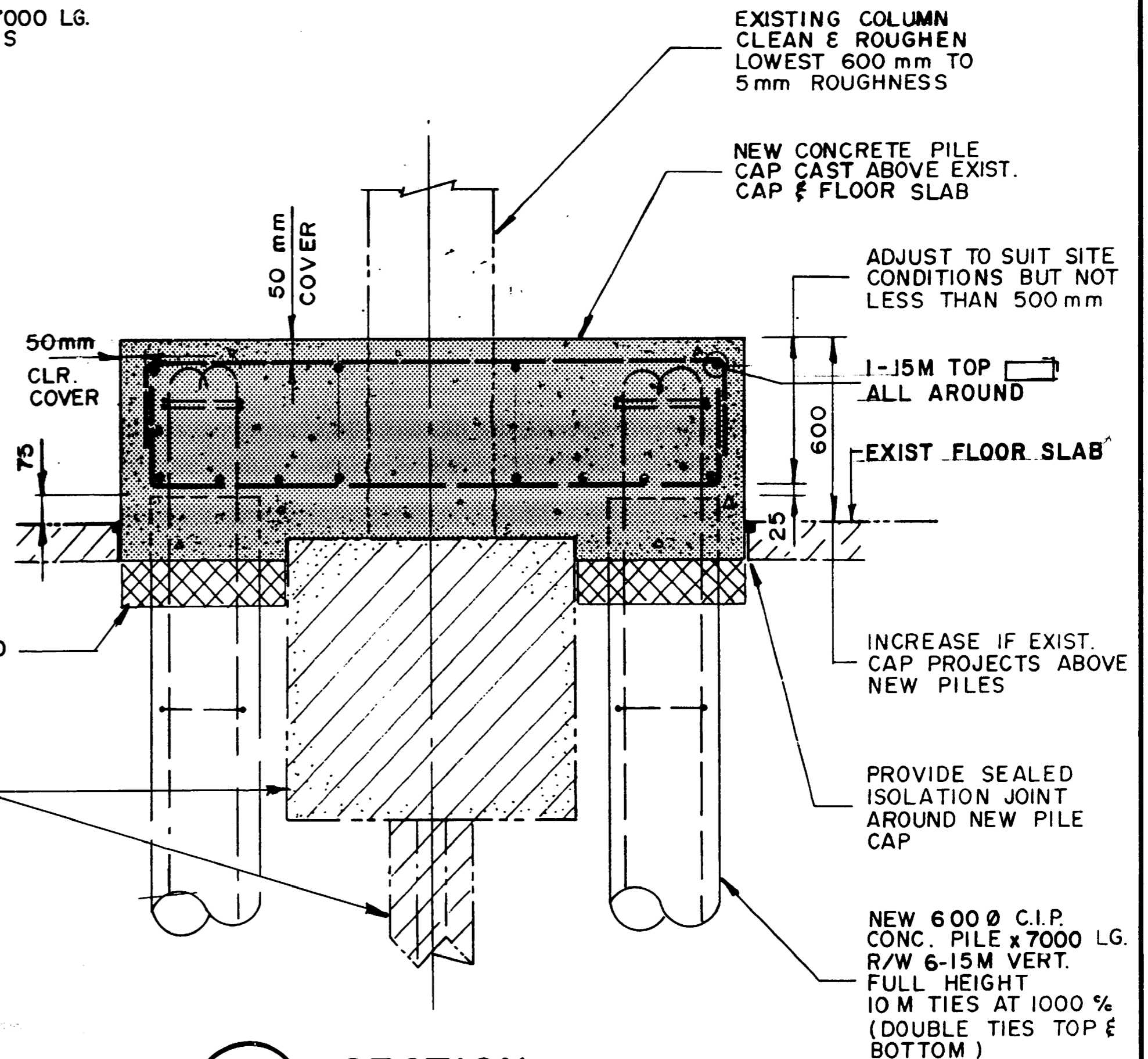


**1** PLAN AT GRIDS F.4 & L.8  
SD-13 1:20



**2** SECTION  
SD-13 1:20

# RECORD DRAWING

P.D. NO. 91-249

No.	REVISION	DWN.	DATE
1	TO RECORD DRAWING	AMU	11/92



UMA Engineering Ltd.  
Engineers & Planners

1479 Buffalo Place, Winnipeg, Manitoba, Canada R3T 1L7

CITY OF WINNIPEG	
WILKES AVE. RESERVOIR, PHASE II	
TITLE: SUPPLEMENTARY FOUNDATIONS AT F.4 & L.8	
JOB No. 41-13-0265-259-02	DATE: 91-10-25
DRAWN: J.C.	DWG. No.
CHECKED: J.R.C.	<b>SD-13</b>

FILE # RE 10379

8-636