

GABLE ROOF TRUSS SECTION

SCALE: 3/32" = 1'-0"

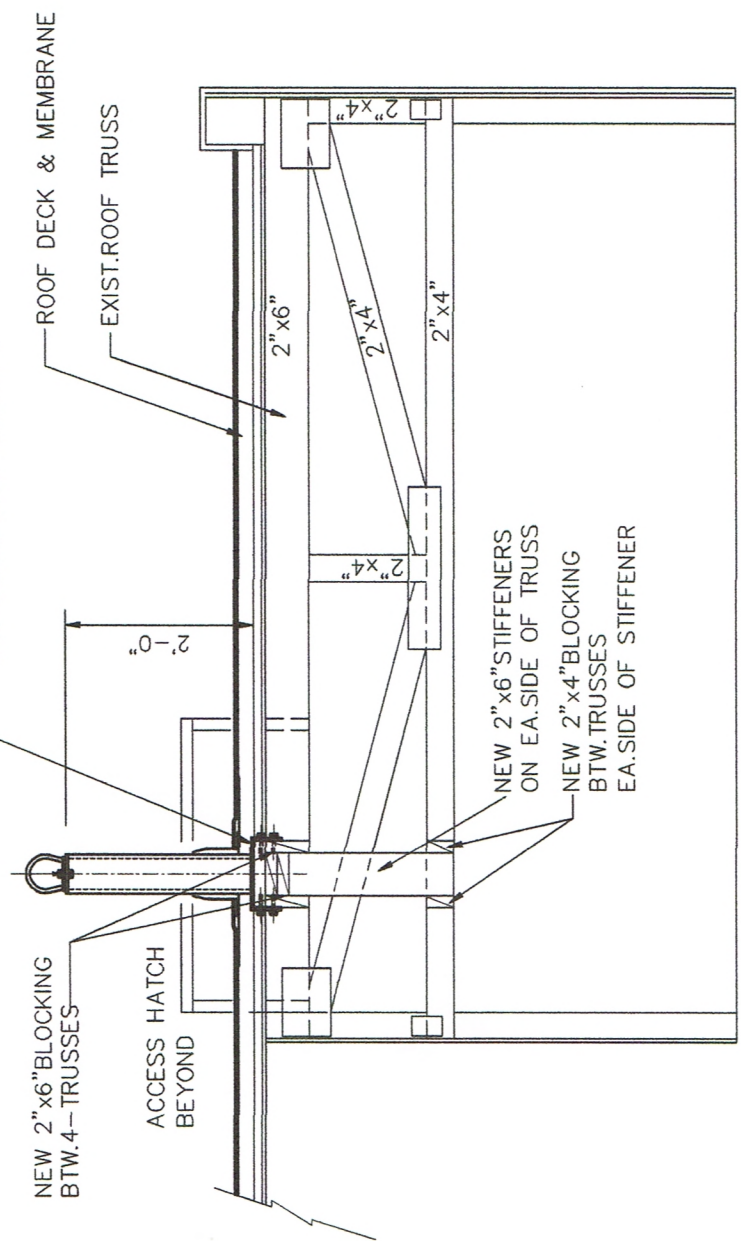


GABLE ROOF

FLAT ROOF

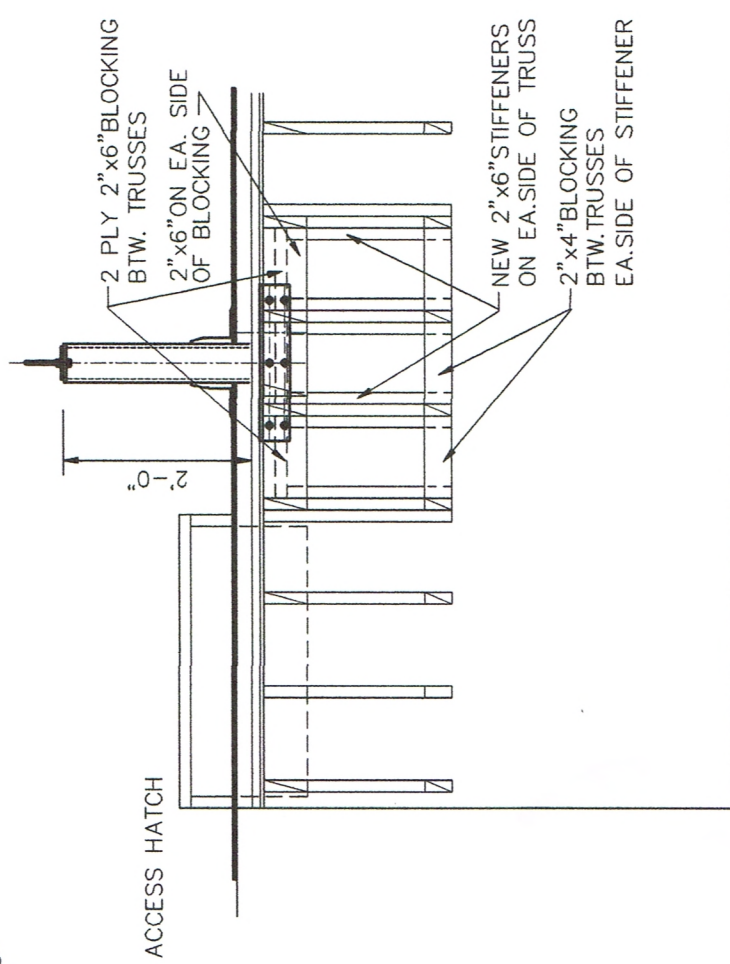
TYPICAL ANCHOR CONNECTIONS

SCALE: 1" = 1'-0"



FLAT ROOF TRUSS SECTION

SCALE: 1/2" = 1'-0"



FLAT ROOF CROSS SECTION

SCALE: 1/2" = 1'-0"

CHARLESON ENGINEERING LTD.
 101-1200 Pembina Hwy.
 WINNIPEG, MANITOBA
 TEL: (204) 895-1474

ISSAC BROOK COMMUNITY CENTRE PARKS, CITY OF WINNIPEG
FALL ARREST ROOF ANCHORS ANCHOR INSTALLATION DETAILS

SCALE: AS SHOWN
 DESIGNED BY: D.C.

DATE: MAY, 2014
 DRAWN BY: LDM

SHEET: **IB-S-02**