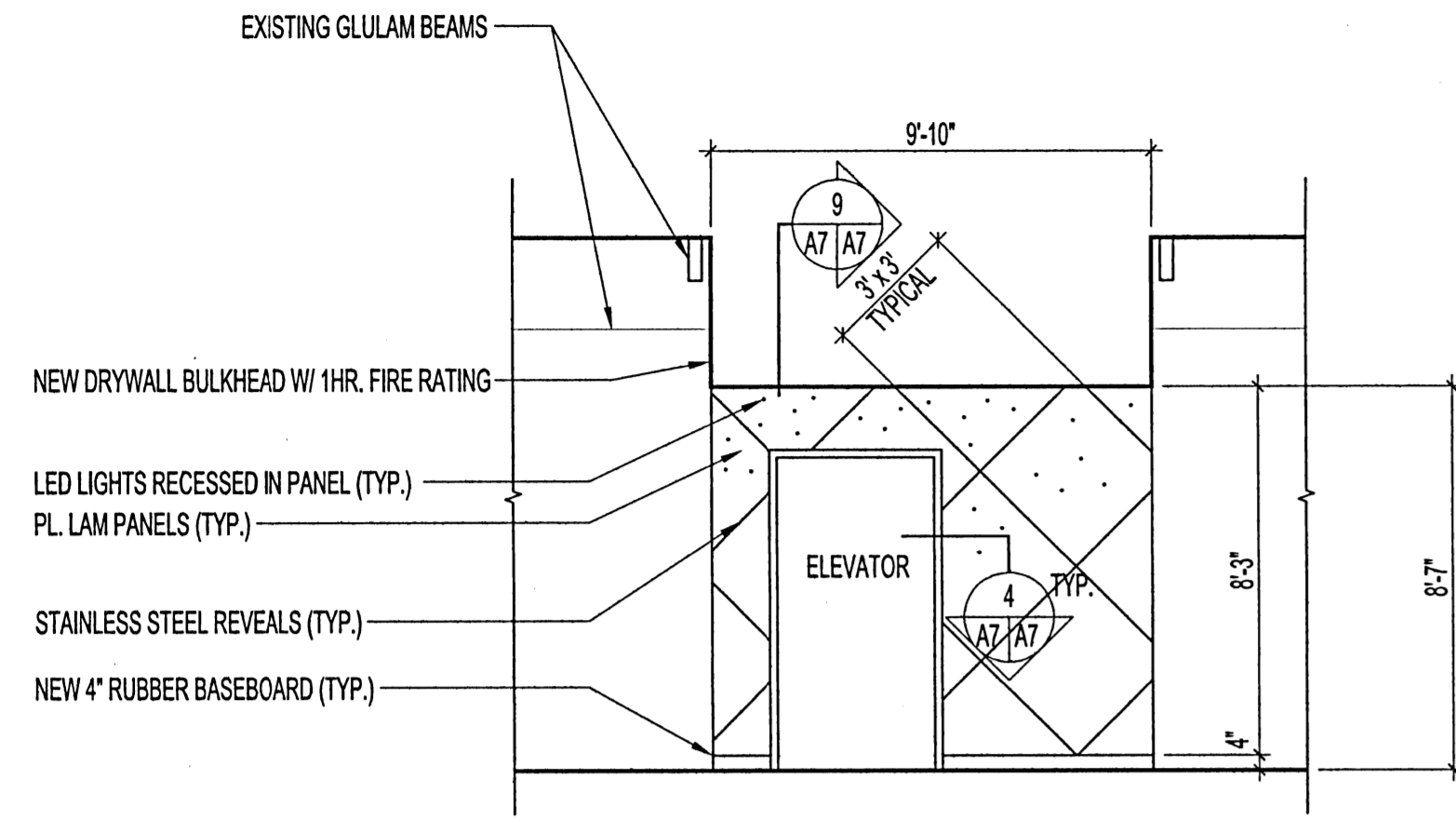
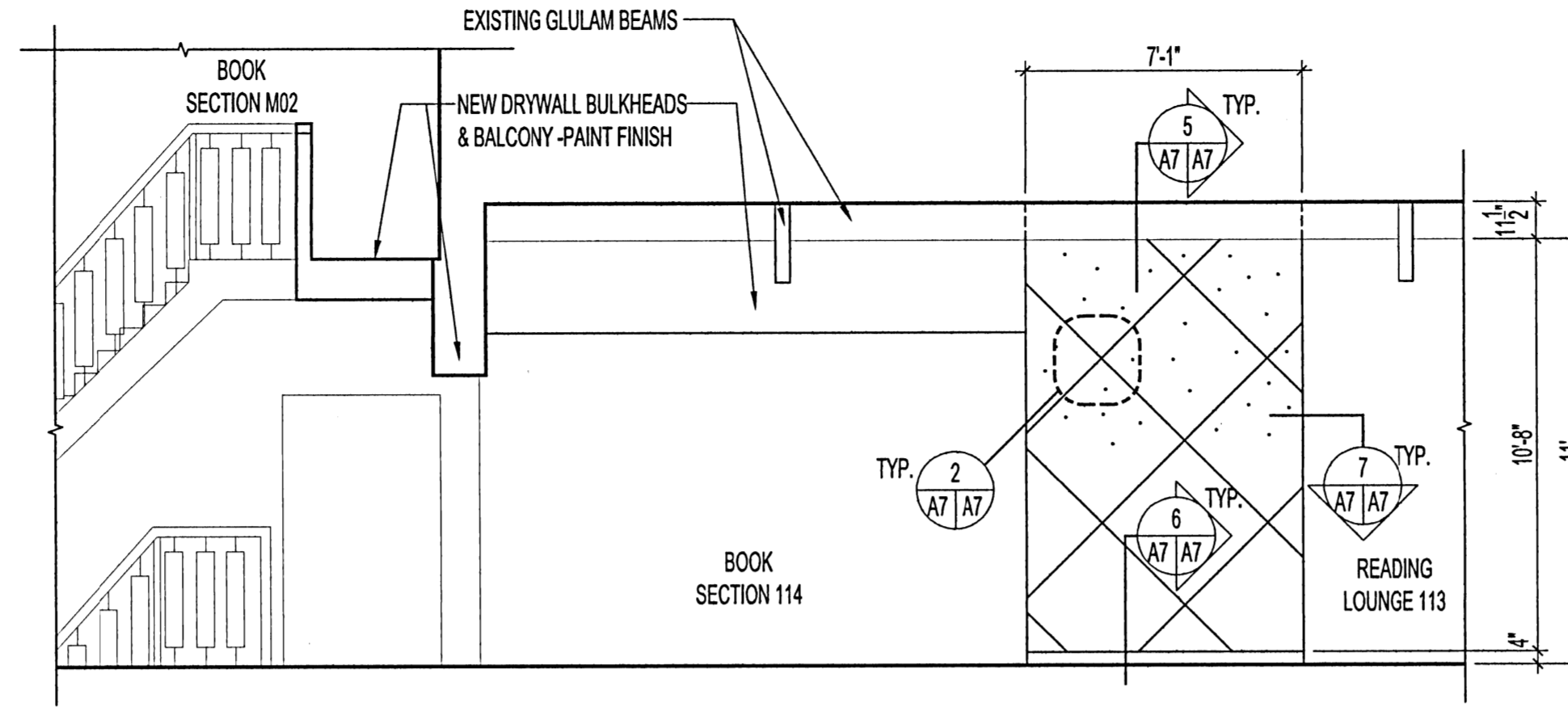


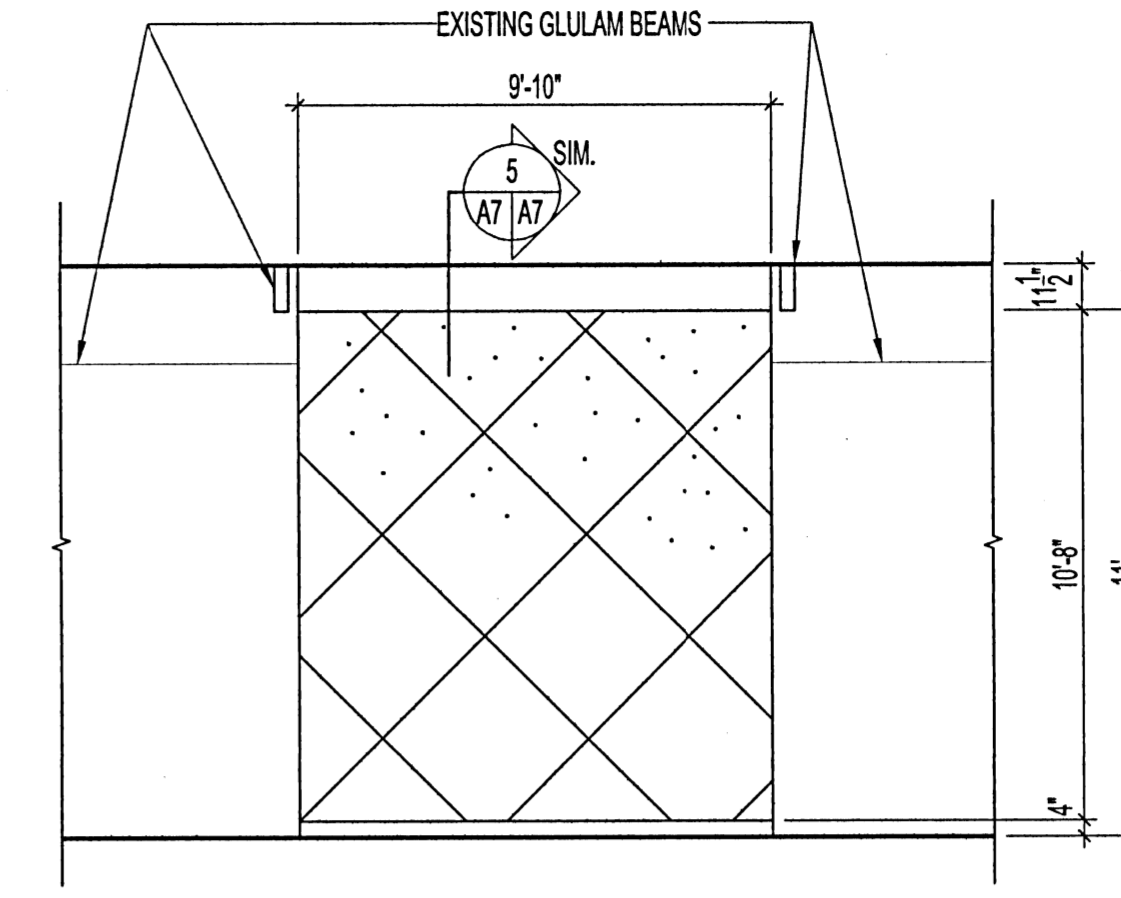
NOTE: NOTES, MATERIALS & SECTIONS ARE TYPICAL FOR ALL ELEVATIONS UNLESS NOTED OTHERWISE



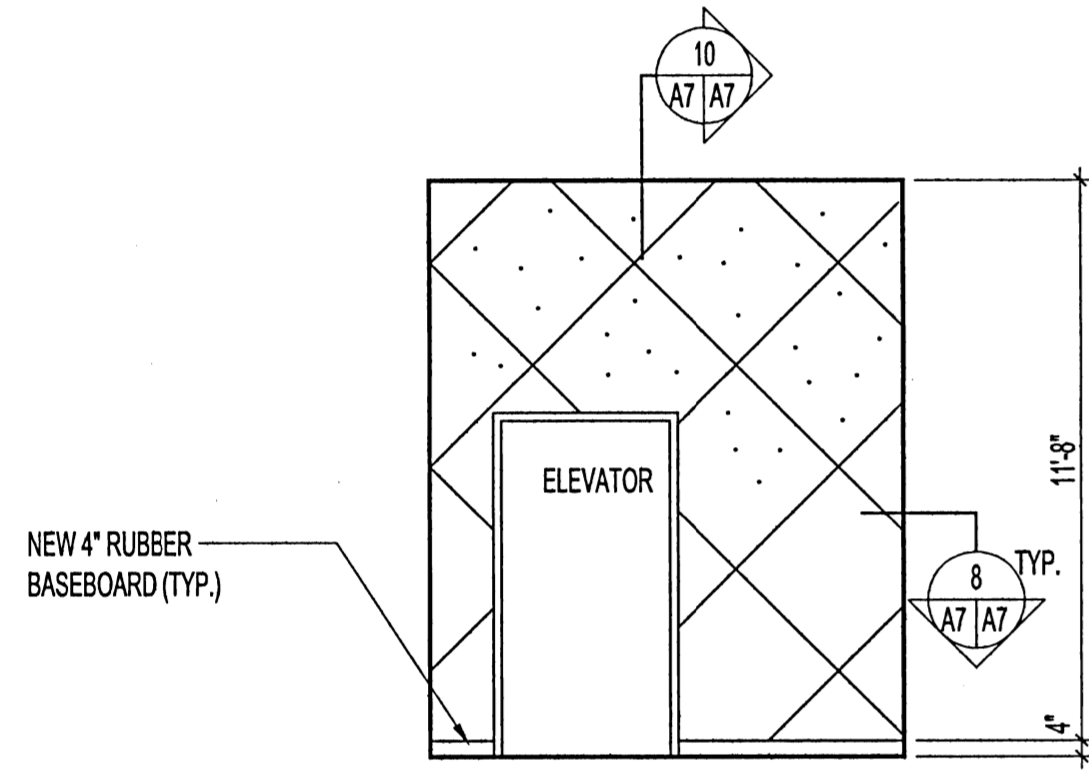
A ELEVATION -MAIN FLOOR ELEVATOR ENTRANCE
SCALE: 1/4" = 1'-0"



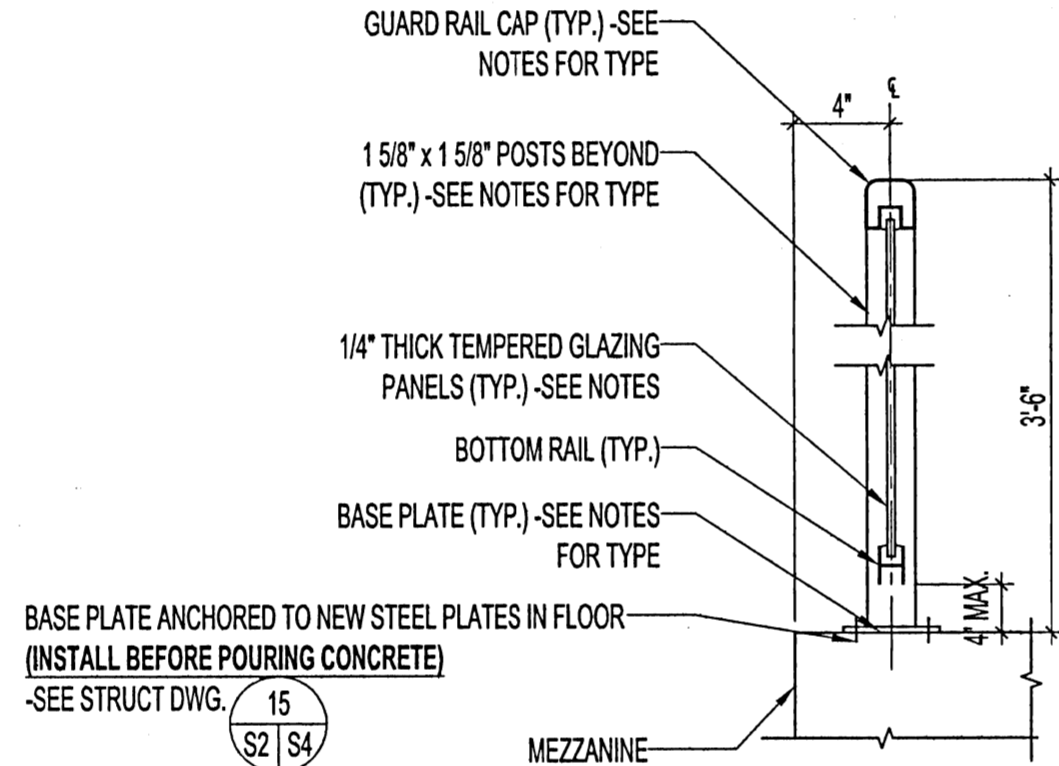
B ELEVATION -MAIN FLOOR ELEVATOR WEST & EAST SIDES
SCALE: 1/4" = 1'-0"



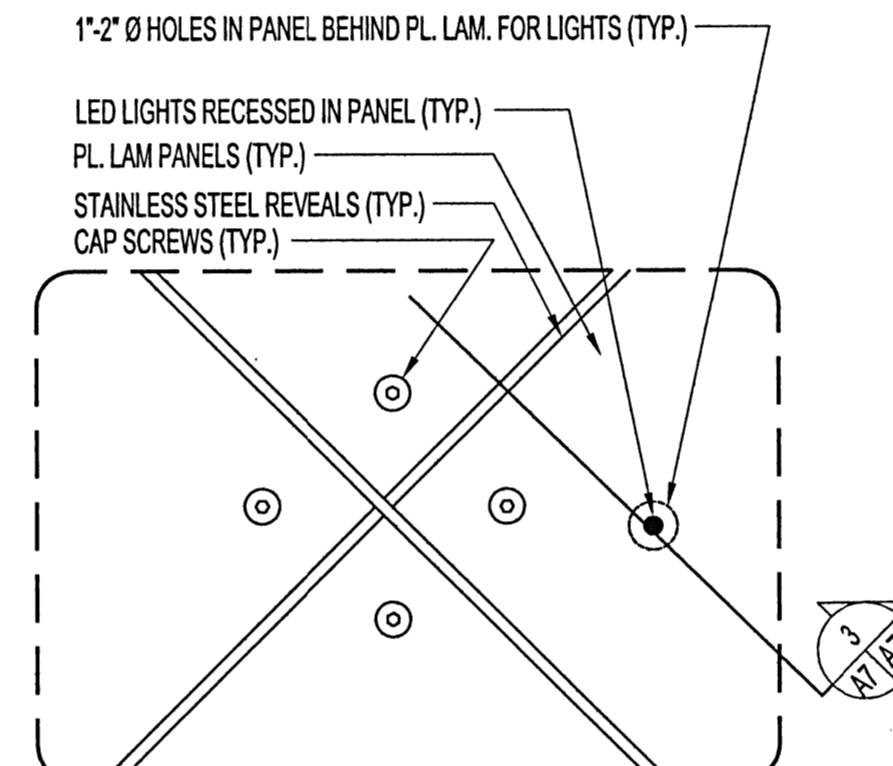
C ELEVATION -MAIN FLOOR ELEVATOR SOUTH SIDES
SCALE: 1/4" = 1'-0"



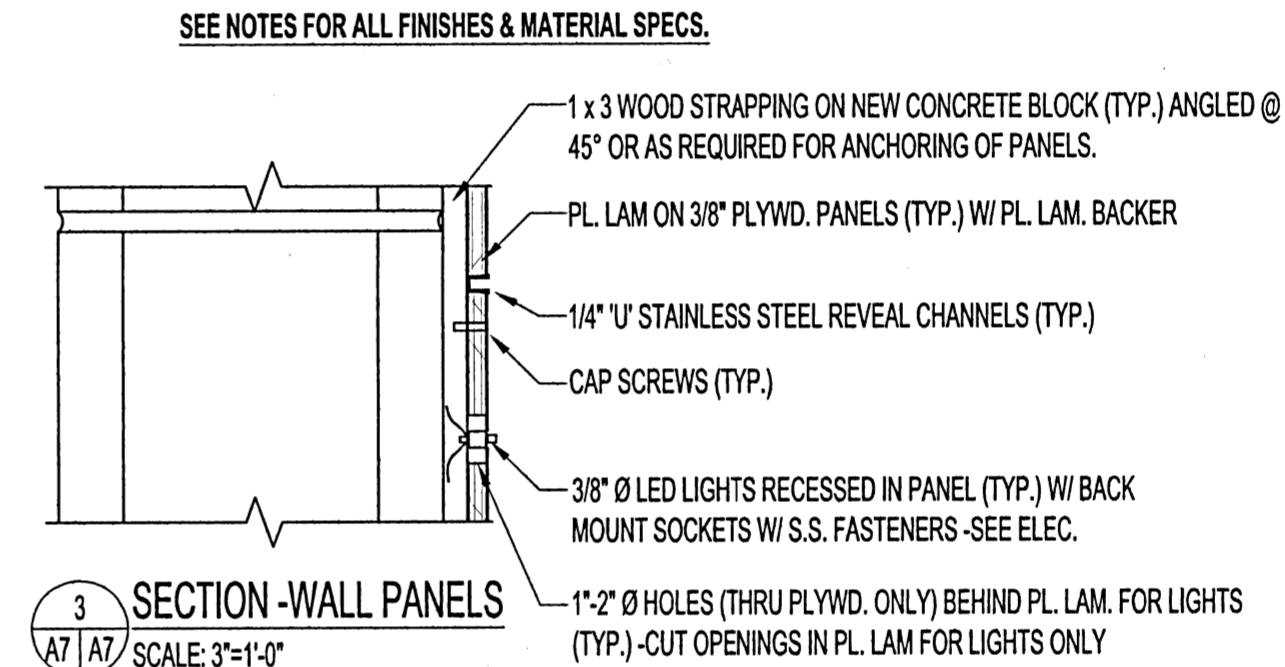
D ELEVATION -MEZZANINE FLOOR ELEVATOR ENTRANCE
SCALE: 1/4" = 1'-0"



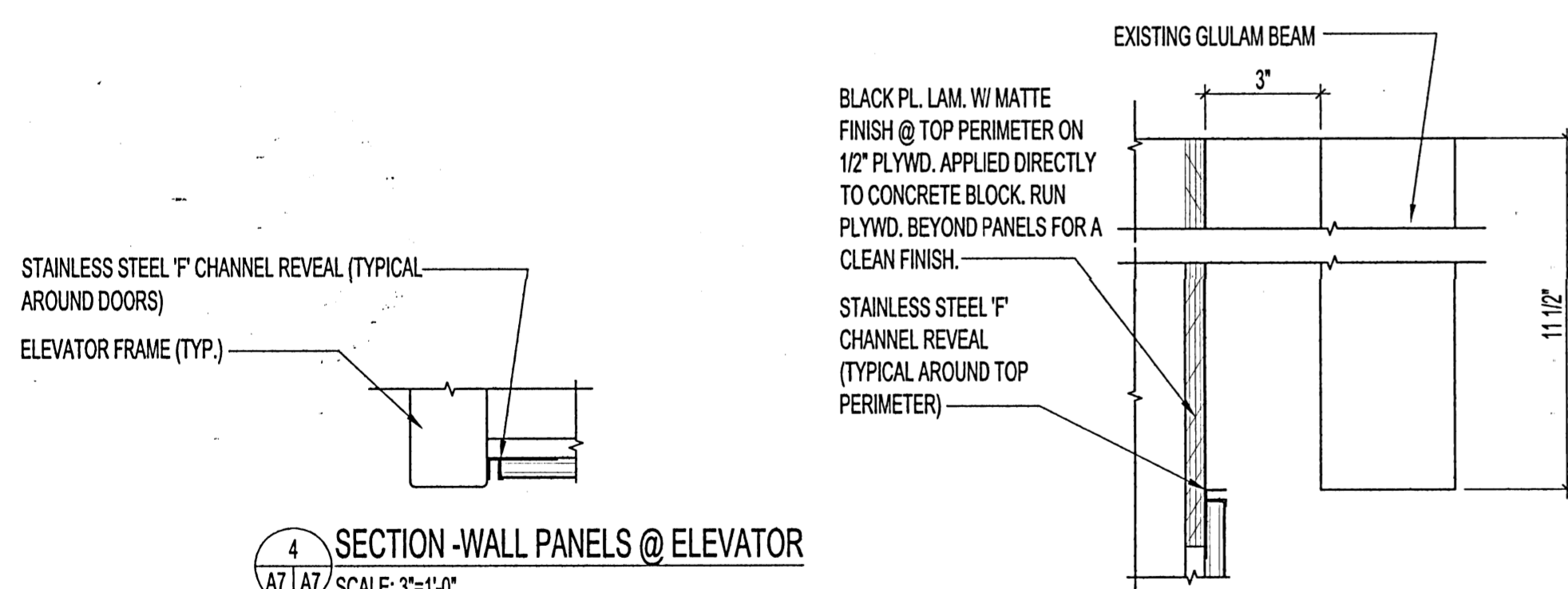
1 SECTION -GUARD RAIL
SCALE: 1 1/2" = 1'-0"



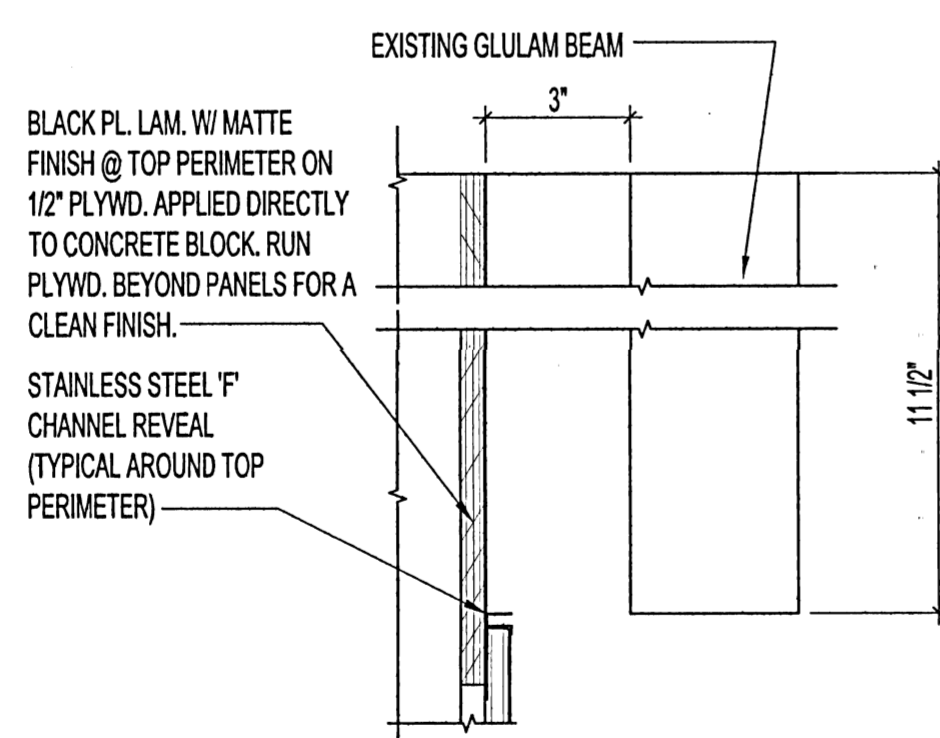
2 SECTION -WALL PANELS
SCALE: 3" = 1'-0"



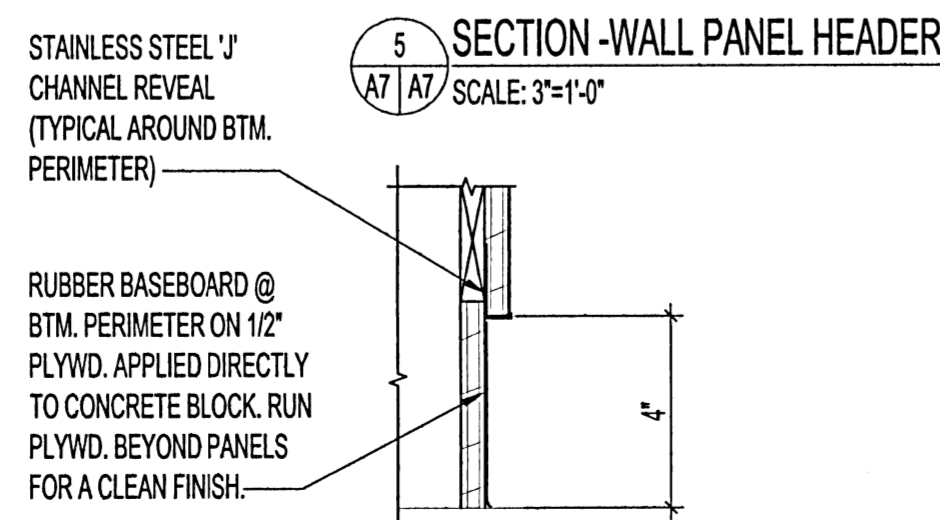
3 SECTION -WALL PANELS
SCALE: 3" = 1'-0"



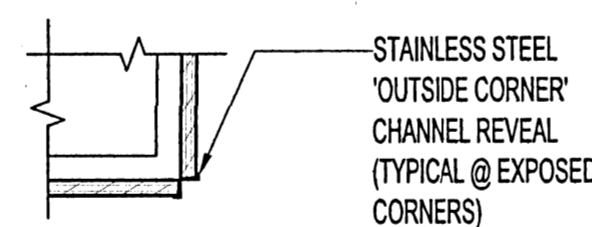
4 SECTION -WALL PANELS @ ELEVATOR
SCALE: 3" = 1'-0"



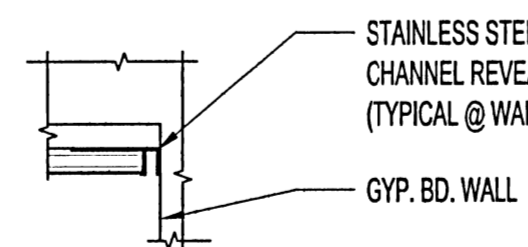
5 SECTION -WALL PANEL HEADER
SCALE: 3" = 1'-0"



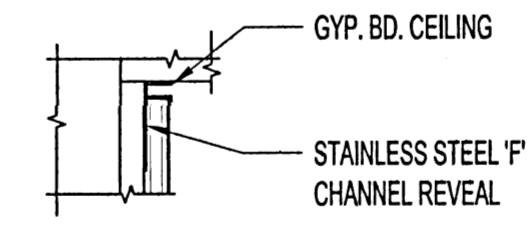
6 SECTION -WALL PANEL BASE
SCALE: 3" = 1'-0"



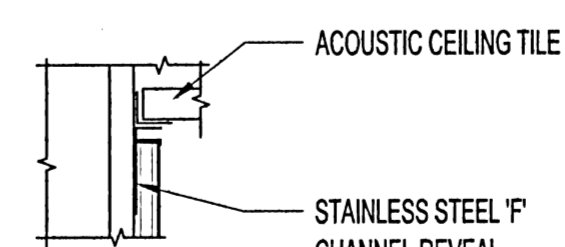
7 SECTION -WALL PANEL OUTSIDE CORNER
SCALE: 3" = 1'-0"



8 SECTION -WALL PANEL INSIDE CORNER @ MEZZ. ELEVATOR
SCALE: 3" = 1'-0"



9 SECTION -WALL PANEL HEADER @ MAIN FL. ELEVATOR
SCALE: 3" = 1'-0"



10 SECTION -WALL PANEL HEADER @ MEZZ. ELEVATOR
SCALE: 3" = 1'-0"

NOTES:

GUARD RAIL NOTES:

- CODES FOR RAILINGS, GUARDS ARE TO FOLLOW THE GUIDELINES OF THE MANITOBA BUILDING CODE 2010 & CURRENT AMENDMENTS & THE 2010 CITY OF WINNIPEG ACCESSIBILITY DESIGN STANDARDS.
- PROVIDE SHOP DRAWINGS FOR ALL RAIL & GLAZING ASSEMBLIES.
- GUARD & HAND RAIL COMPONENTS BY OR APPROVED EQUAL IN ACCORDANCE WITH B7.
- NORTHWEST RAILING DISTRIBUTORS INC.
1493 ERIN STREET
WINNIPEG, MB. R3E 2S9
(204)-632-1147
INFO@NORTHWESTRAILING.CA
CONTACT- BARRY SCHMIDT
- GUARD RAIL COMPONENTS TO BE POWDER ALUMINIUM COATED CW 1 5/8" SQUARE POSTS, 4" x 4" x 3/8" BASE PLATES & WELDED TOP & BOTTOM SLEEVES, 1/4" (6mm) TEMPERED GLAZING, #14 x 3" STAINLESS STEEL FASTENERS, GUARD RAIL PROFILE -SERIES #1255
- GUARD RAIL & HAND RAIL COMPONENTS TO BE COLOUR GUN METAL GREY

ELEVATOR PANELS MATERIALS & FINISHES

- PANEL GRID LOCATION TO BE POSITIONED TO AVOID SMALL PORTIONS OF PANELS LOCATED AT WALLS. PROVIDE SHOP DRAWINGS FOR LAYOUT OF PANELS & GENERAL LIGHTING LOCATIONS.
- STAINLESS STEEL REVEALS TO BE FROM FRY REGLET OR APPROVED EQUAL IN ACCORDANCE WITH B7.
- RECESSED CAP SCREWS (BLACK FINISH) TO BE FASTENED TO 1 x 3 WD. STRAPPING @ CORNERS OF PANELS -SUBMIT SAMPLES FOR APPROVAL.
- LED LIGHTS TO BE LOCATED IN TOP PORTION OF ELEVATIONS APPROX AS SHOWN. LED LIGHTS TO BE TOKILEDS, TLED FLBK-410-W-HB APPROX. 30 LIGHTS PER ELEVATION LOCATIONS AS SHOWN SPACED RANDOMLY IN PANELS.
- PLASTIC LAMINATE FOR ALL PANELS TO BE FORMICA 2297 MC-TERRIL MICRO DOT FINISH & BLACK PLASTIC LAMINATE MATTE FINISH @ TOP PERIMETER ON MAIN FLOOR.

No.	REVISION/DESCRIPTION	BY	DATE



DRAWN	CHECKED	DESIGNED	APPROVED

THE CITY OF WINNIPEG
PLANNING, PROPERTY AND
DEVELOPMENT DEPARTMENT
MUNICIPAL ACCOMMODATIONS DIVISION
3-65 GARRY STREET, R3C 4K4

PROJECT
ST. VITAL LIBRARY
NEW ELEVATOR INSTALLATION

6 FERMOR AVENUE
SHEET TITLE
ELEVATOR ELEVATIONS & DETAILS,
GUARD RAIL SECTION

SCALE	PROJECT No:	SHEET No:
AS SHOWN		A7