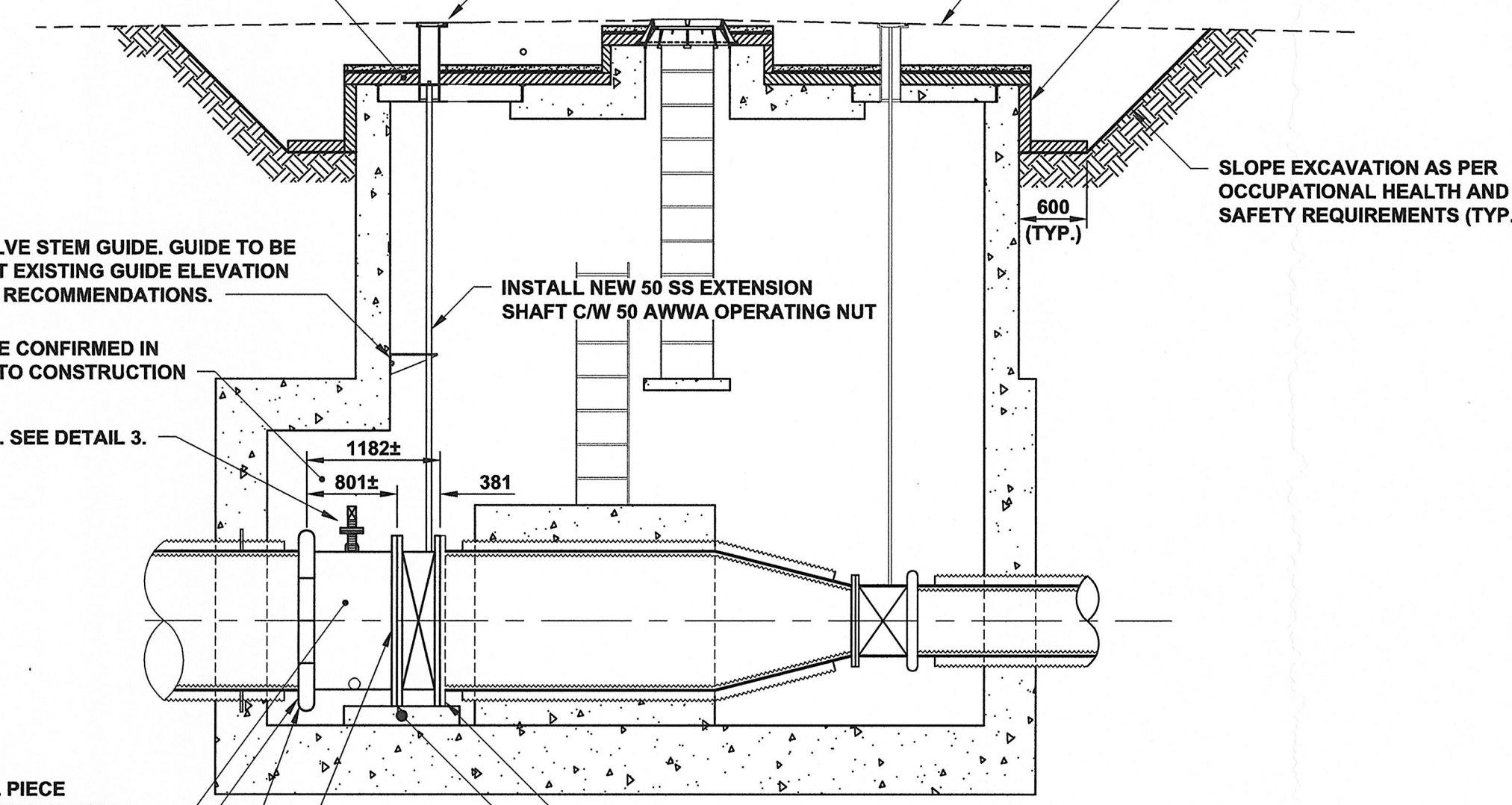


INSTALL ON ALL HORIZONTAL SURFACES:
100 THICK EXTRUDED POLYSTYRENE
19 THICK PRESSURE TREATED PLYWOOD
TOP WITH 50 THICK SAND BEDDING

INSTALL VALVE BOX LEVEL WITH
EXISTING GRADE. SEE DETAIL 4.

APPROXIMATE GROUND LEVEL

INSTALL 100 THICK EXTRUDED POLYSTYRENE
ON ALL EXPOSED VERTICAL SURFACES
EXTEND DOWN AND OUT 600 ON ALL SIDES



INSTALL NEW WALL MOUNTED VALVE STEM GUIDE. GUIDE TO BE
SS OR EPOXY COATED. INSTALL AT EXISTING GUIDE ELEVATION
OR AS PER THE MANUFACTURERS RECOMMENDATIONS.

DIMENSIONS TO BE CONFIRMED IN
THE FIELD PRIOR TO CONSTRUCTION

INSTALL 75Ø AIR BLOW-OFF. SEE DETAIL 3.

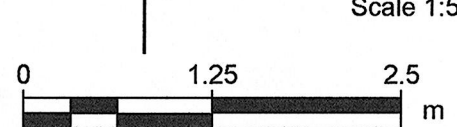
INSTALL NEW 1200 AWWA C200 SPOOL PIECE
(FL x SHOULDERED JOINT) C/W FLANGED BOTTOM
TANGENT 100Ø DRAIN & TOP 75Ø THREADED OUTLET

INSTALL NEW 1200 AWWA C606 SHOULDERED END
RING ON EXISTING WALL PIECE (IF REQUIRED)

INSTALL NEW 1200 AWWA C606
SHOULDERED JOINT COUPLING

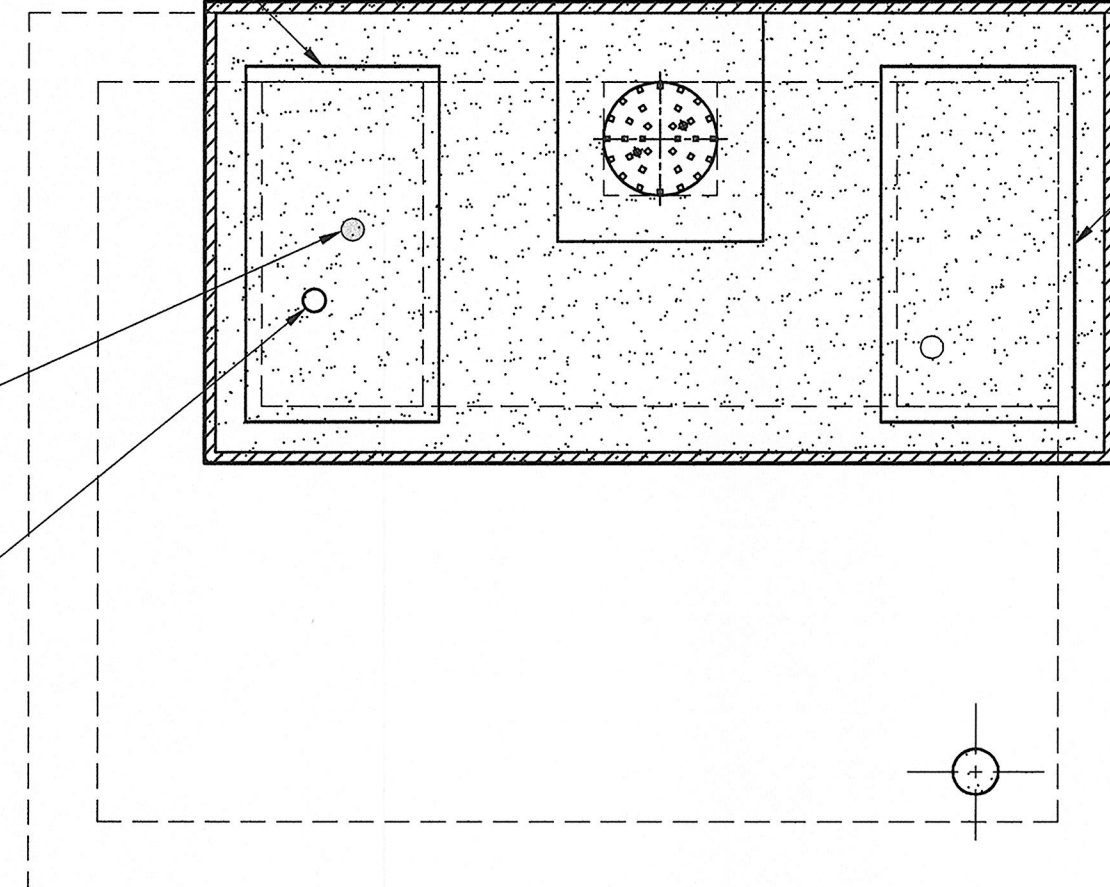
INSTALL NEW 1200 AWWA C504 BUTTERFLY VALVE, ACTUATOR,
AND HANDWHEEL (SUPPLIED BY OWNER)
BOLTS AND GASKETS TO BE SUPPLIED BY THE CONTRACTOR.

A SECTION



Scale 1:50

REINSTALL EXISTING ROOF SLAB
SEAL JOINT AS PER DETAIL 1.
FILL LIFTING HOOK RECESS WITH
POLYURETHANE SEALANT



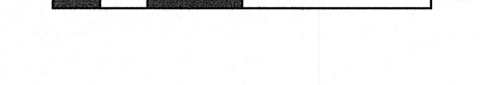
RESEAL EXISTING ROOF
SLAB AS PER DETAIL 1

GROUT EXISTING VALVE
BOX PENETRATION WITH
NON-SHRINK GROUT

CORE HOLE IN REMOVABLE ROOF SLAB.
• DIAMETER TO MATCH O.D. OF VALVE
BOX BOTTOM. (LOCATION AND
DIAMETER TO BE DETERMINED IN
THE FIELD)

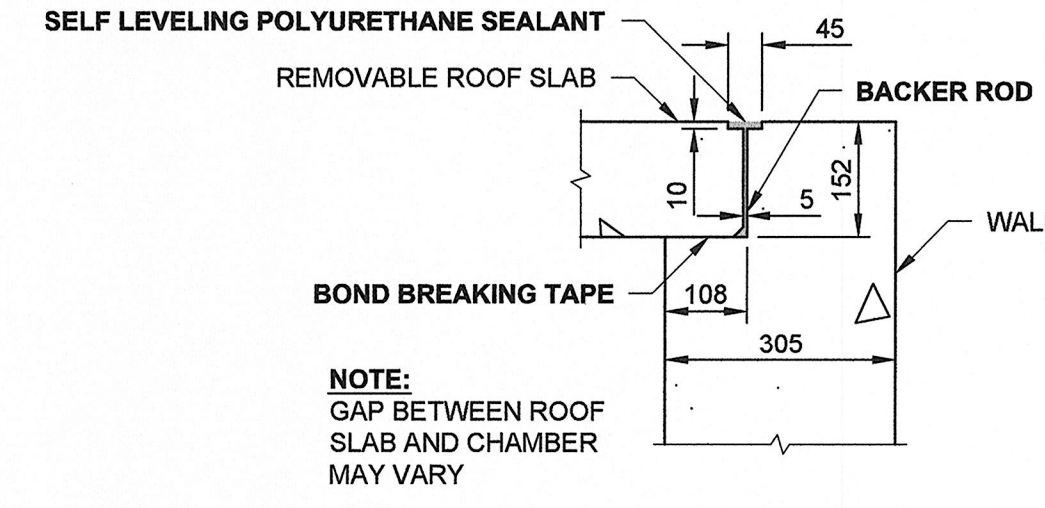
ROOF PLAN MODIFICATIONS

Scale 1:50



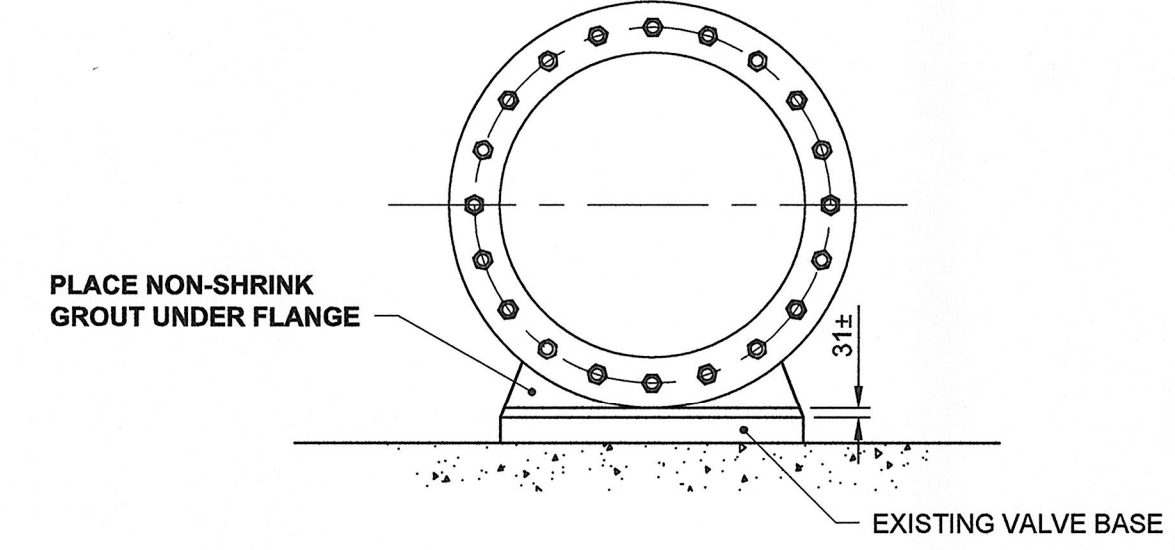
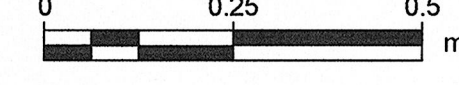
NOTES

- CONTRACTOR TO SUBMIT DETAILED CONSTRUCTION SEQUENCING AND PROCEDURE.
- TEMPORARY BRACING OR SUPPORTS MAY BE REQUIRED FOR REMOVAL AND INSTALLATION OF BUTTERFLY VALVE. SUBMIT DETAIL PLAN FOR ANY PROPOSED TEMPORARY STRUCTURES.
- SANDBLAST AND FIELD APPLY AWWA C210 EPOXY COATING TO ALL EXPOSED STEEL, LADDERS, VALVES, ACTUATORS, VALVE STEMS AND PIPING WITHIN THE CHAMBER. PROTECT ALL SHAFTS, SEALS, NAME PLATES, AND MACHINED SURFACES.

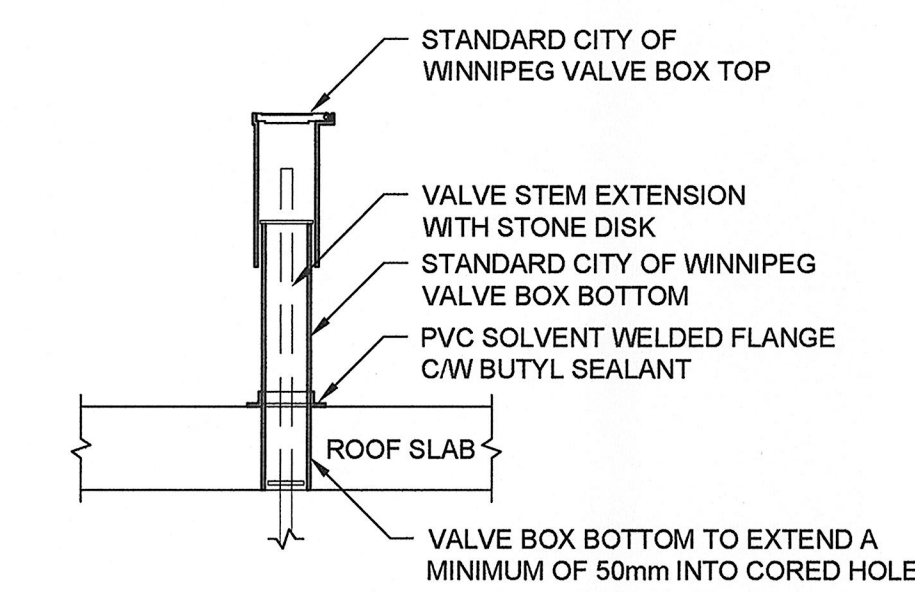


1 CAULKING DETAIL

Scale 1:10

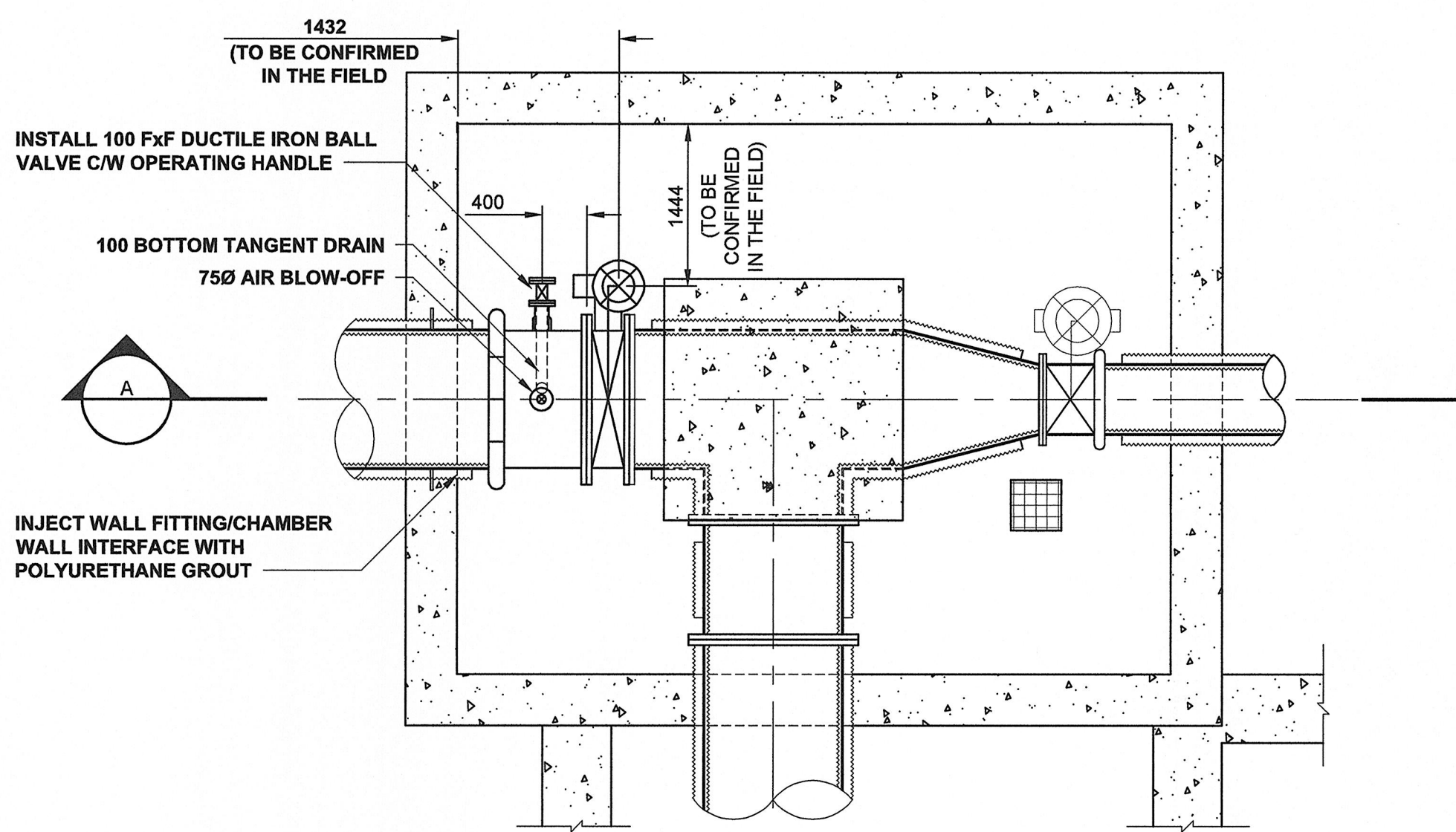


2 CONCRETE VALVE BASE BLOCK DETAIL



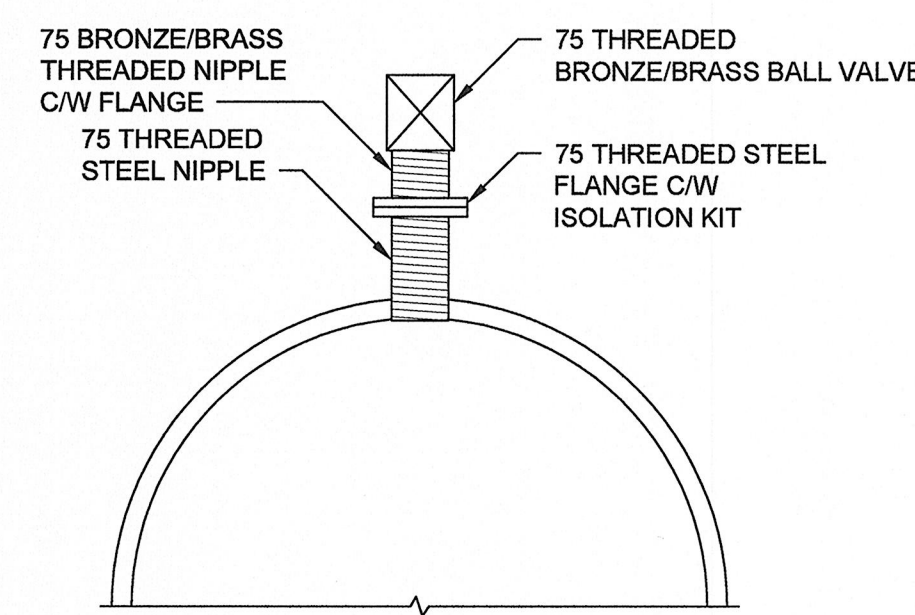
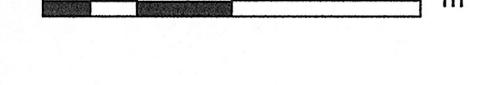
4 DETAIL

VALVE BOX ASSEMBLY



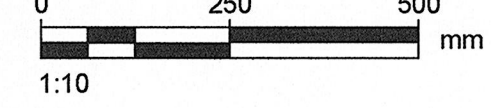
PLAN AT ELEVATION 225.455

Scale 1:50



3 DETAIL

BLOW OFF ASSEMBLY



LOCATION APPROVED
UNDERGROUND STRUCTURES

SUPR. U/G STRUCTURES COMMITTEE DATE

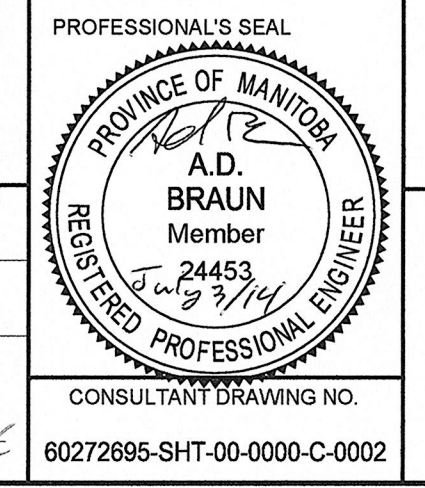
NOTE:
LOCATION OF UNDERGROUND STRUCTURES AS SHOWN ARE BASED ON THE BEST INFORMATION AVAILABLE. BUT NO GUARANTEE IS GIVEN THAT ALL EXISTING UTILITIES ARE SHOWN OR THAT THE GIVEN LOCATIONS ARE EXACT. CONFIRMATION OF EXISTENCE AND EXACT LOCATION OF ALL SERVICES MUST BE OBTAINED FROM THE INDIVIDUAL UTILITIES BEFORE PROCEEDING WITH CONSTRUCTION.

NO.	REVISIONS	DATE	BY
1	ISSUED FOR CONSTRUCTION	14/07/03	ADL
		YY/MM/DD	



DESIGNED BY	ADB	CHECKED BY	[Signature]
DRAWN BY	ADL	APPROVED BY	[Signature]
HOR. SCALE	AS NOTED	RELEASED FOR CONSTRUCTION	[Signature]
VERT. SCALE	N/A	DATE	July 3/14

APEGN
Certificate of Authorization
AECOM Canada Ltd.
No. 4671 Date: July 3/14



THE CITY OF WINNIPEG
WATER AND WASTE DEPARTMENT

MACLEAN PUMPING STATION
LDV1 1200 BUTTERFLY VALVE REPLACEMENT
PROPOSED CHAMBER AND PIPING MODIFICATIONS
PLANS, SECTIONS AND DETAILS

SHEET 3 OF 3
CITY DRAWING NUMBER
REV
1-0630Y-C0003-001 1

METRIC
WHOLE NUMBERS INDICATE MILLIMETRES
DECIMALIZED NUMBERS INDICATE METRES
BID OPPORTUNITY NO. 657-2014