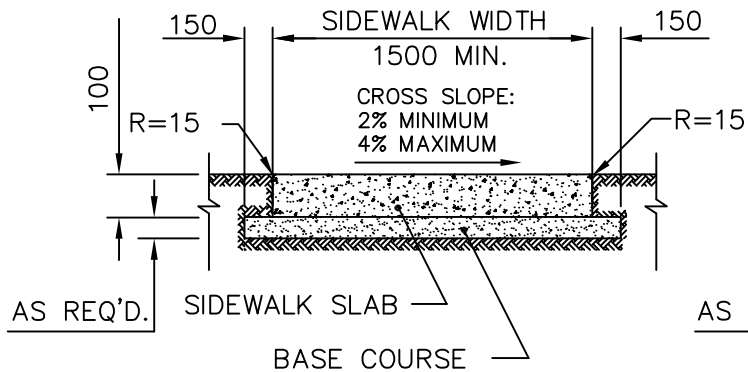
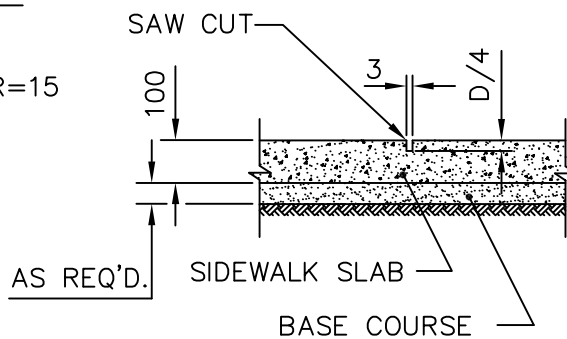


PLAN



SECTION A - A



SECTION B - B

- NOTE: 1. SIDEWALK SLAB SURFACE WILL BE GIVEN A TEXTURED BROOM FINISH. NO EDGER MARKS WILL BE LEFT.
2. LONGITUDINAL JOINTS AT 1500 O.C. MAXIMUM



THE CITY OF WINNIPEG

PUBLIC WORKS DEPARTMENT

Reference Spec. No.
CW 3235, CW 3310, CW 3325

DIMENSIONS ARE IN MILLIMETRES

CONCRETE SIDEWALK

Designed By:
Z.V.K.

Drawn By:
A.R.

Scale :
N.T.S.

Checked By:
B.P.

Date:
12.12.15

Drawing No.

Approved:
SURFACE WORKS COMMITTEE

SD-228A