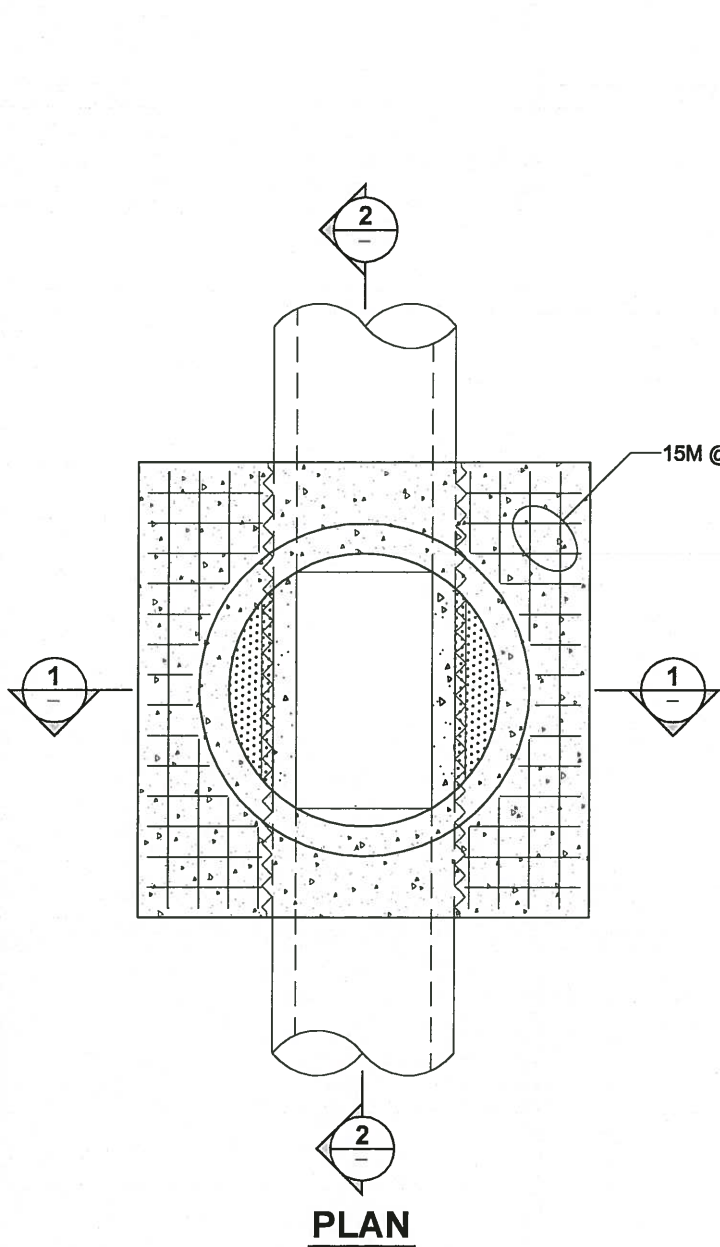
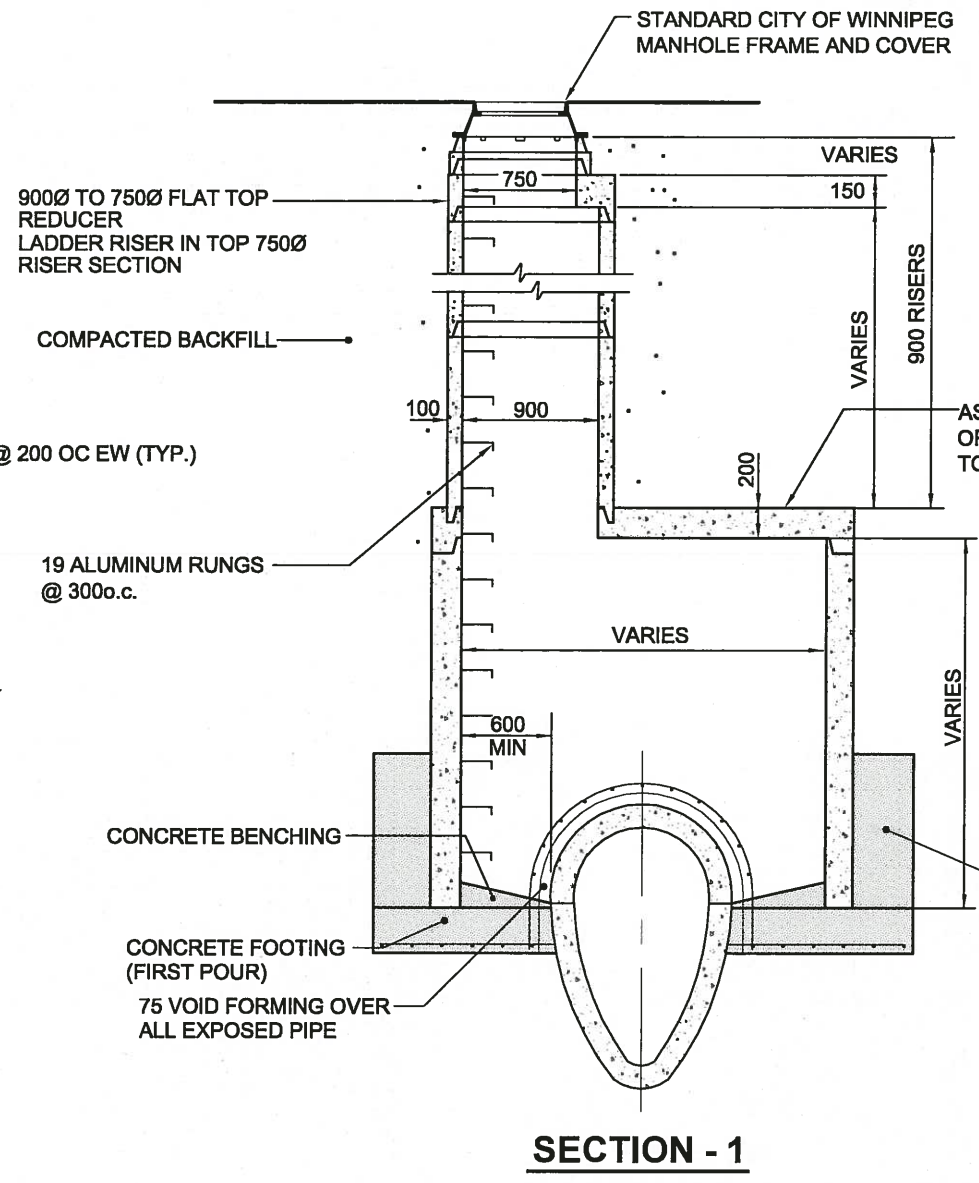


UMA FILE NAME: 60321545-FIG-00-0000-C-0002.dwg 2004-06-24 09:28am ADL

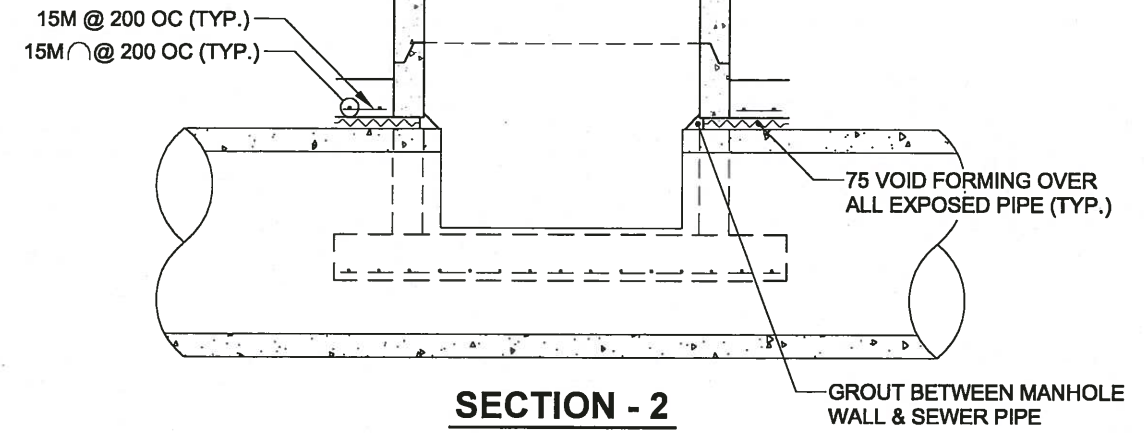
UMA REVIEW DRFT CHK



PLAN



SECTION - 1



SECTION - 2

TYPICAL MANHOLE INSTALLATION TABLE			
SEWER SIZE & MATERIAL	1200x925 CONCRETE	1350x1050 CONCRETE	1575x1200 CONCRETE
MANHOLE BASE Ø	1800Ø	2100Ø	2400Ø
MANHOLE BASE HEIGHT	1830	1830	2440

WARNING

IF POWER EQUIPMENT OR EXPLOSIVES ARE TO BE USED FOR EXCAVATION ON THIS PROJECT, THE CONTRACTOR MUST:
 1) NOTIFY THE GAS COMPANY OF THE PROPOSED LOCATION OF EXCAVATION.
 2) TAKE PRECAUTION TO AVOID DAMAGE TO GAS COMPANY INSTALLATIONS.
 SEE PROVINCIAL REGULATION 140/92 FOR DETAILS

METRIC

WHOLE NUMBERS INDICATE MILLIMETRES
 DECIMALIZED NUMBERS INDICATE METRES

APEGM
 Certificate of Authorization
 AECOM Canada Ltd.
 No. 4671 Date: *JAN 21, 2015*

BID OPPORTUNITY NO. 557-2014

LOCATION APPROVED UNDERGROUND STRUCTURES			
SUPR. U/G STRUCTURES	DATE	COMMITTEE	

NO.	ISSUED FOR CONSTRUCTION	DATE	BY
0	ISSUED FOR CONSTRUCTION	14/01/21	Wjd

AECOM			
DESIGNED BY	PL	CHECKED BY	<i>cm.</i>
DRAWN BY	Wjd	APPROVED BY	<i>[Signature]</i>
HOR. SCALE	N.T.S	RELEASED FOR CONSTRUCTION	
VERT. SCALE			

PROFESSIONAL'S SEAL
 PROVINCE OF MANITOBA
E.D.J. TOUPIN
 Member 23484
 REGISTERED PROFESSIONAL ENGINEER
 CONSULTANT DRAWING NO. 01
 60321545-FIG-00-0000-C0002

THE CITY OF WINNIPEG
WATER AND WASTE DEPARTMENT

2014 COMBINED SEWER RENEWALS
BY CIPP LINING
CONTRACT #11

LARGE DIAMETER MANHOLE REPLACEMENT DETAIL

SHEET 1 OF 1	REV 0
CITY DRAWING NUMBER	SK-001