

CONSTRUCTION NOTES:

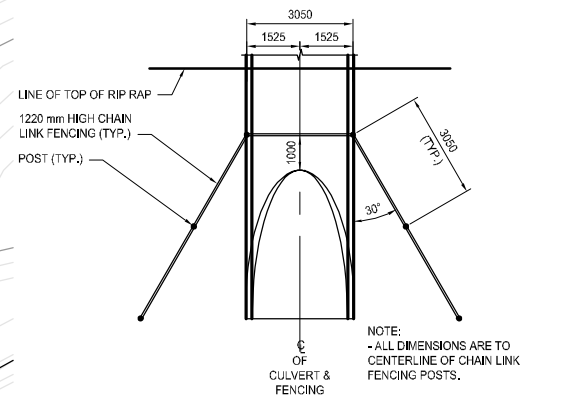
1. CONTRACTOR TO MAINTAIN WATER FLOW FOR DRAIN AS PER THE SPECIFICATION AT ALL TIMES.
2. CONTRACTOR TO TRANSITION GRADES FROM CULVERT APRON TO EXISTING GRADES OVER 10 METERS.
3. ALL COORDINATES ARE NAD 83 UTM COORDINATES. ALL DIMENSIONS ARE GIVEN IN GROUND COORDINATES.
4. PATHWAY ELEVATIONS TO BE READ IN CONJUNCTION WITH SHEET 2, HORIZONTAL GEOMETRY.
5. CARE MUST BE TAKEN WHILE PUSHING CHAIN LINK FENCE POST AS TO NOT DAMAGE THE PRECAST CONCRETE CULVERT.
6. DO NOT ADJUST GRADES AROUND BASE OF TREES.
7. REFER TO SPECIFICATIONS FOR ELECTRICAL DIVISIONS.

WORKING POINT COORDINATES

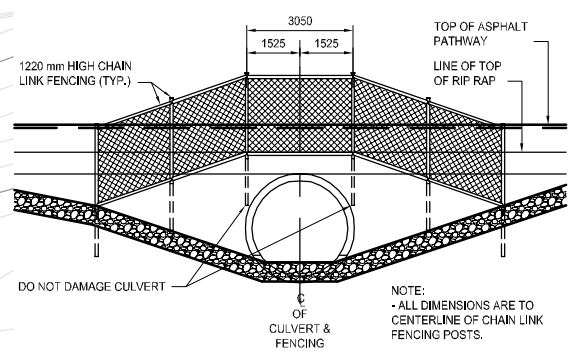
W.P. No.	UTM GRID COORDINATE SYSTEM	
	EASTING	NORTHING
W.P. 1	5527178.996	636354.836
W.P. 2	5527178.996	636342.636
W.P. 3	5527178.996	636367.036

LIGHTING NOTES:

1. CONNECT NEW CABLE TO EXISTING POWER CABLING FOR CONTINUATION OF CIRCUIT. CONNECT LIGHT WIRING WITHIN LIGHT POLE, TO CITY OF WINNIPEG STREET LIGHT CONSTRUCTION STANDARDS.
2. NEW CONDUIT AND CABLING IN TRENCH TO BE 50 mm HDPE CONDUIT C/W #4 AL CONCENTRIC NEUTRAL CABLE OR MATCH EXISTING. REFER TO SHEET 05 FOR TRENCH DETAIL.



TYPICAL CHAIN LINK FENCING PLAN
SCALE 1:100



CHAIN LINK FENCING ELEVATION
SCALE 1:100

METRIC

WHOLE NUMBERS INDICATE MILLIMETRES
DECIMALIZED NUMBERS INDICATE METRES

GENERAL ARRANGEMENT PLAN
SCALE 1:100

G:\CAD\149218\11-Structural\1-Contract\149218-02-HAPPYLAND-CON.dwg



B.M. 654357 ELEV. 231.595	NORTHING: 5527224.350 EASTING: 636672.896	DESIGNED BY TLK/CDW		ENGINEER'S SEAL PROVINCE OF MANITOBA REGISTERED PROFESSIONAL ENGINEER M.R. DOUCET 061314 Member 22306
		DRAWN BY TLK		
		CHECKED BY SSR		
		APPROVED BY MRD		
		HOR. SCALE AS NOTED VERTICAL -		
0 ISSUED FOR TENDER	05/13/14 MRD	RELEASED FOR CONSTRUCTION	CONSULTANT PROJECT NUMBER 14-9218	
NO. REVISIONS	DATE BY	DATE	06/13/14	

THE CITY OF WINNIPEG PUBLIC WORKS DEPARTMENT		CITY DRAWING NUMBER C342-14-03
2014 BRIDGE MAINTENANCE PROGRAM DUGALD DRAIN CULVERT REPLACEMENT AT HAPPYLAND PARK		SHEET 03 OF 05
GENERAL ARRANGEMENT PLAN		BID OPPORTUNITY No. 528-2014