

Drawing Title:

Drawing No:

**MATERIALS**

**COMPOSITE SLATS:**  
- 89mm x 89mm COMPOSITE BOARDS  
- CEDAR TONE FINISH

**METAL OPTIONS:**

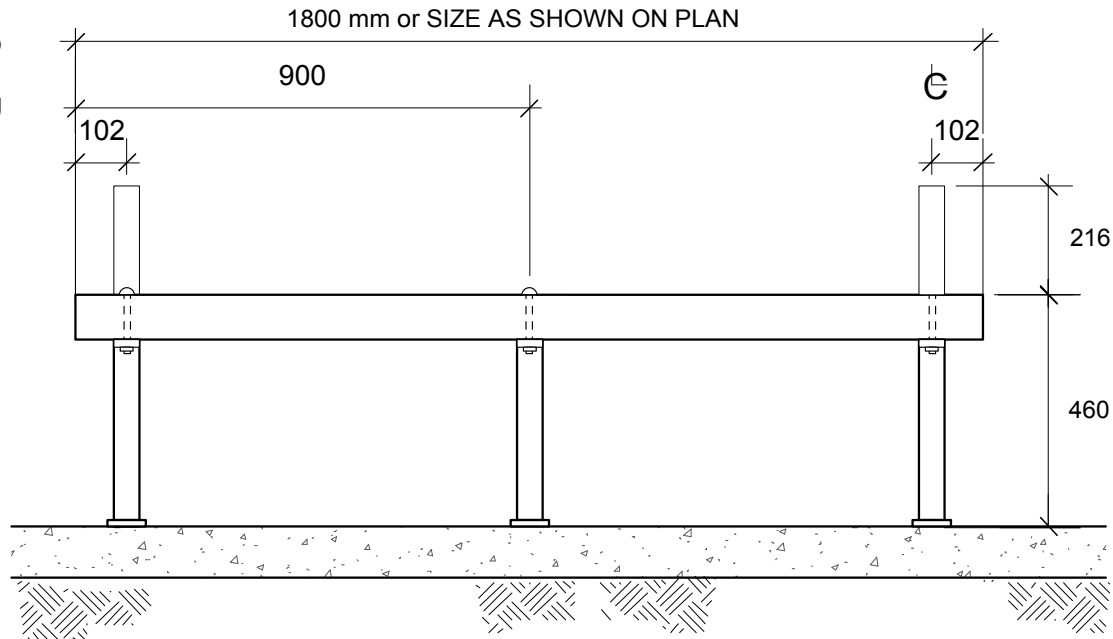
- **BLACK POWDERCOATED** - (Metal suitably cleaned to remove any grease, wax etc. for proper paint bonding to occur. Base coat Zinc rich primer. Baked with a final thickness of paint between 5-8 mil - **Product # 52501115**

- **GALVANIZED** - **Product # 52501115GLV**

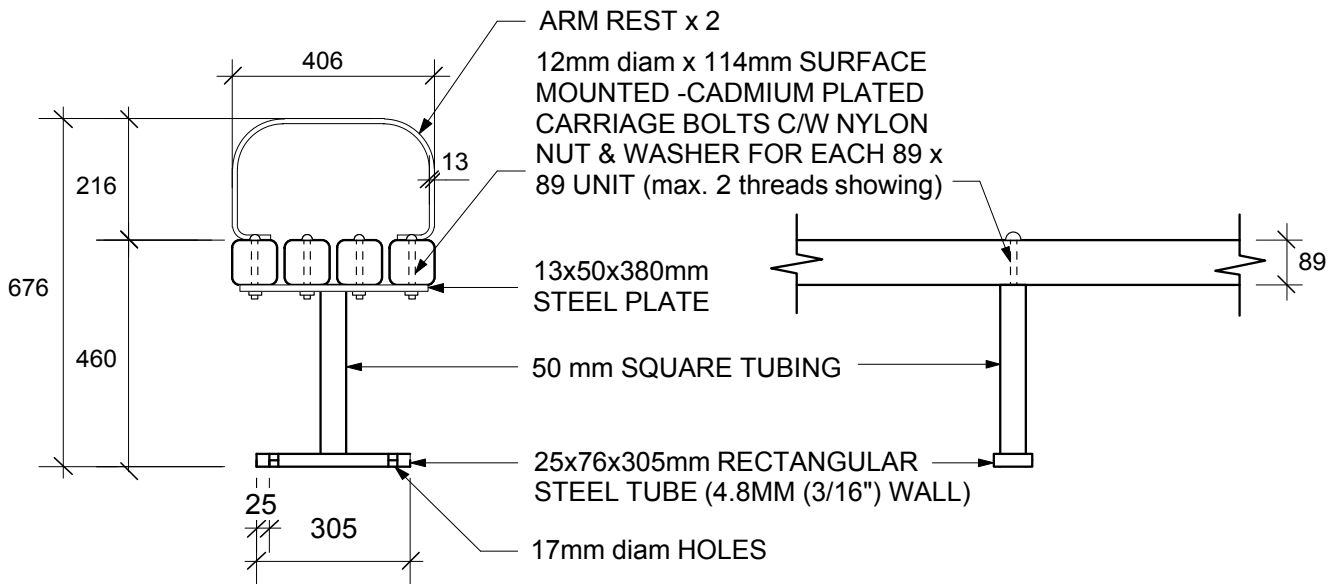
**TACHE BACKLESS BENCH  
COMPOSITE WITH ARMS Surface Mount**

**SCD-121D**

Anchor bench to concrete foundation using expansion bolts (not included)



**FRONT ELEVATION**



**SIDE ELEVATION**

**SUPPORT DETAILS**

DIMENSIONS SHOWN ARE IN MILLIMETRES UNLESS OTHERWISE SPECIFIED

DATE: April 8, 2014  
SCALE: N.T.S.  
DRAWN BY: SP

The City of Winnipeg  
Planning, Property and Development Department  
Planning and Land Use Division  
Unit 15 - 30 Fort Street, Winnipeg, MB, R3C 4X5

