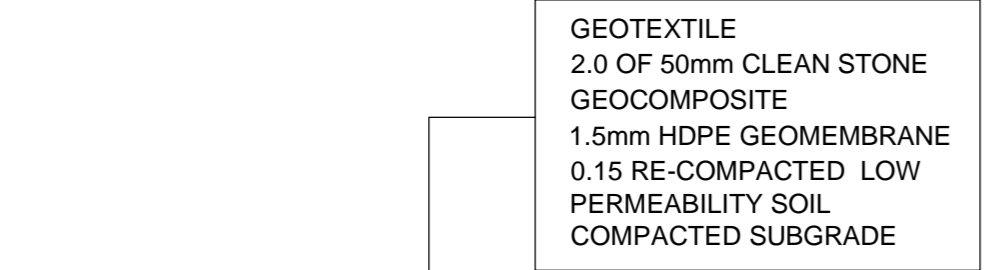
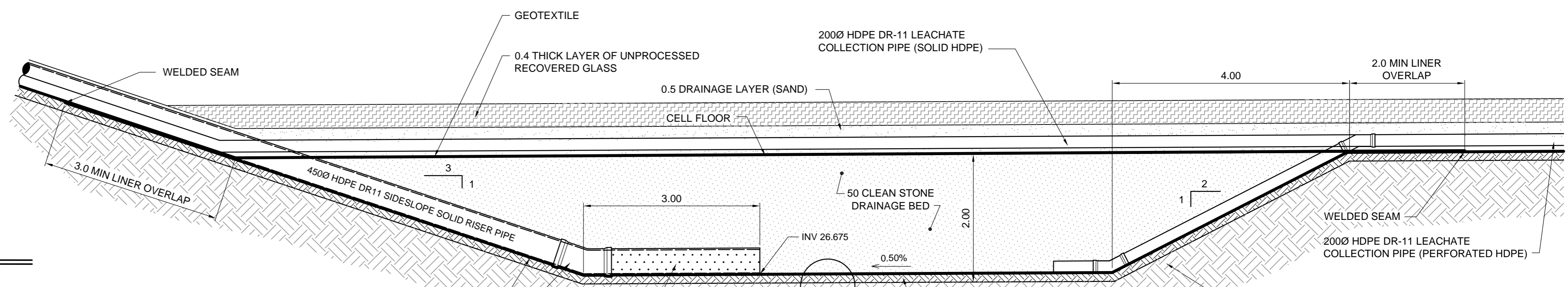


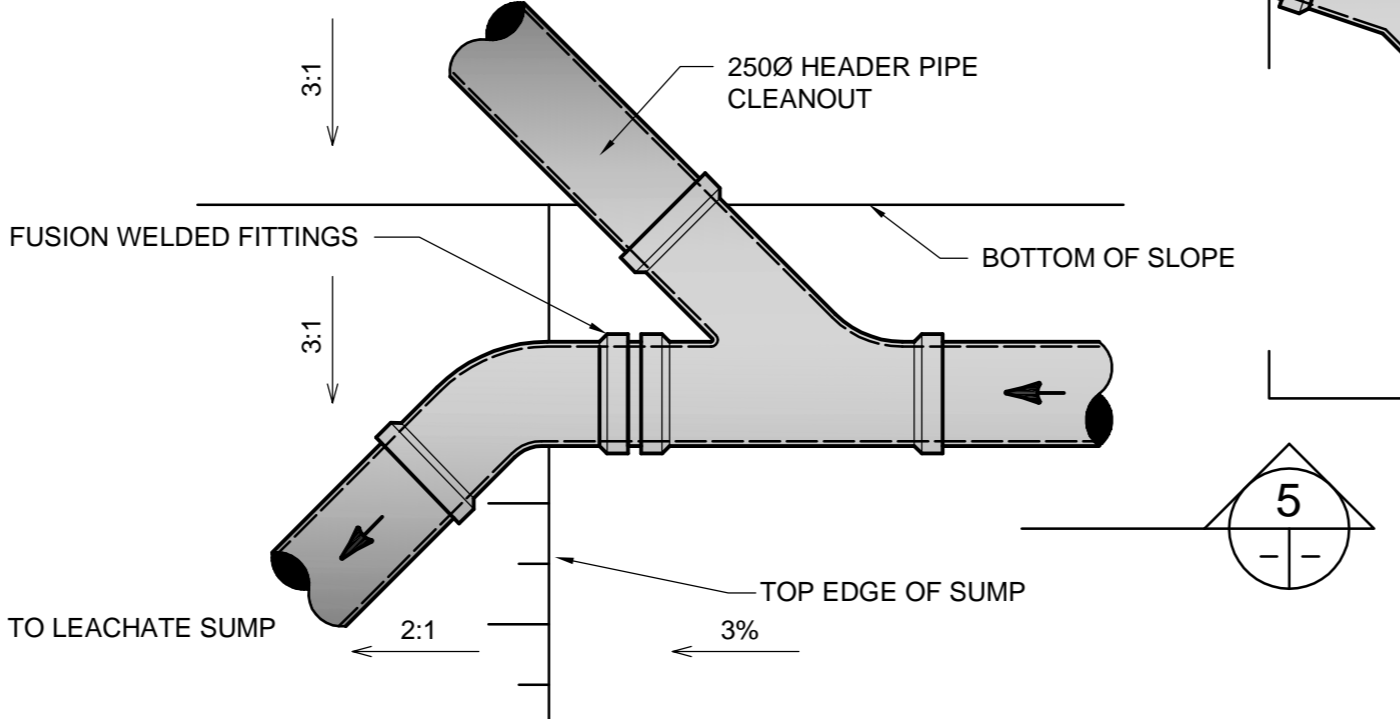
1 LEACHATE SUMP - PLAN
1:150



3 SUMP LINER SYSTEM SECTION
NTS

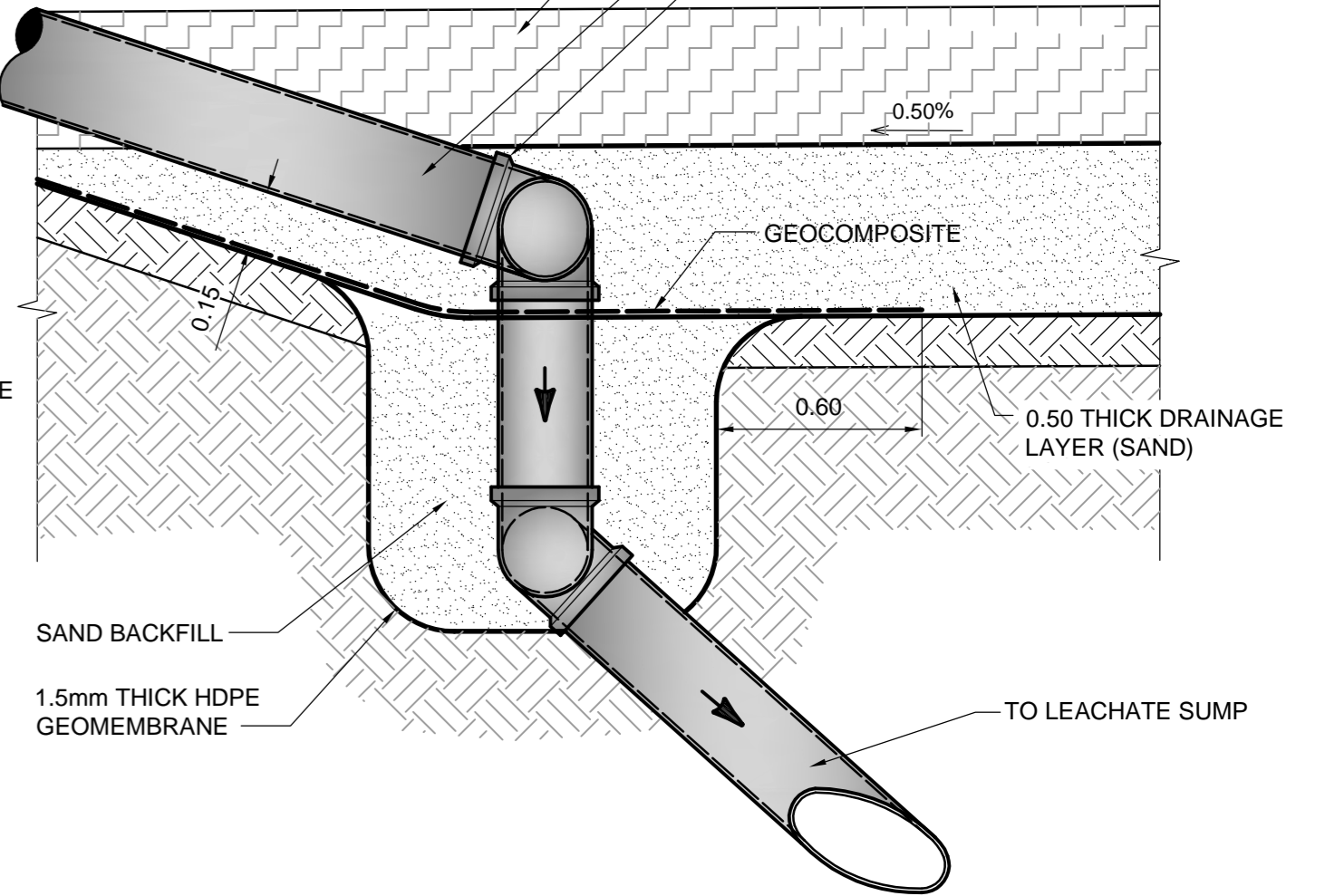


2 LEACHATE SUMP - SECTION
1:50

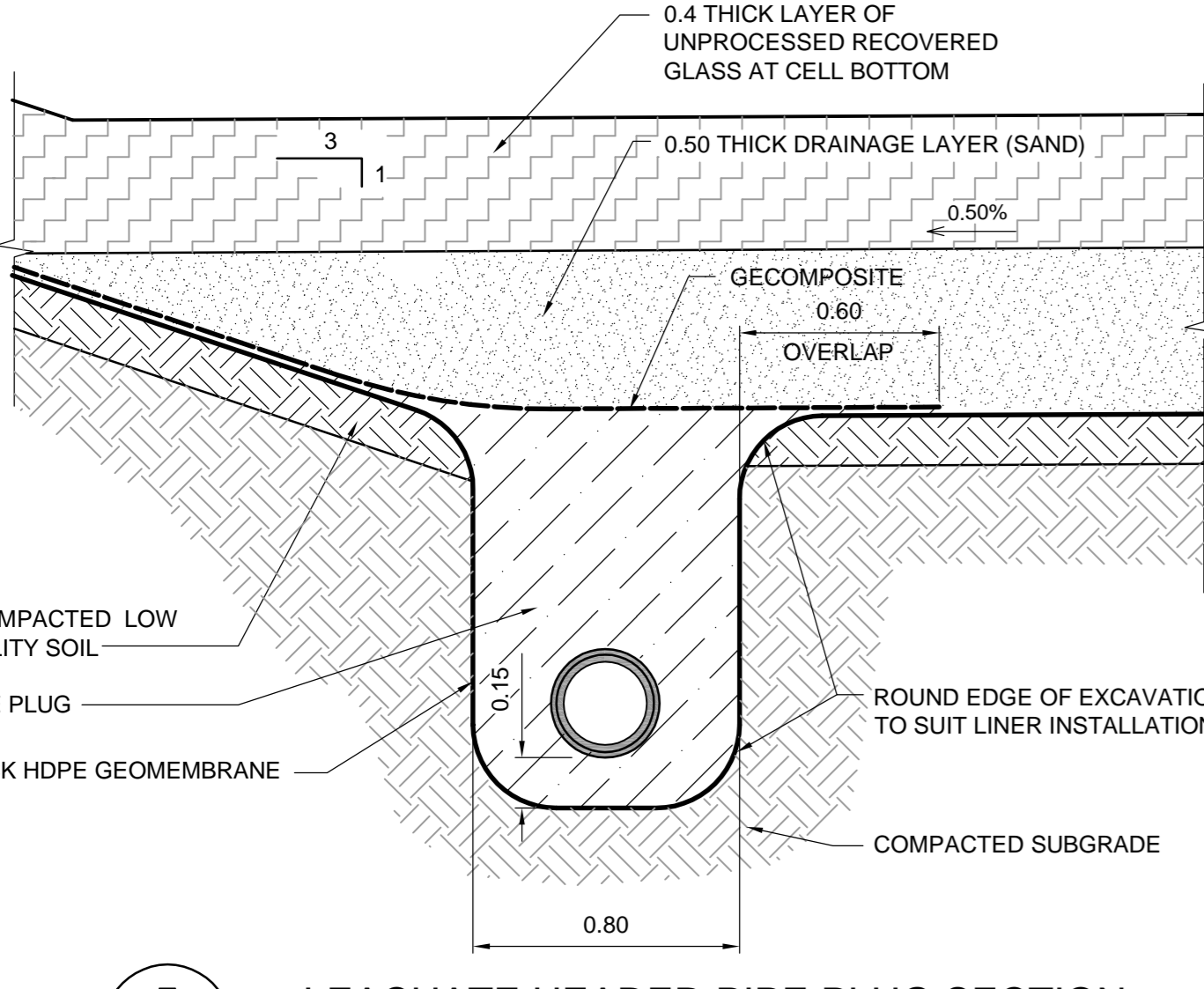


4 PIPING CONNECTION DETAIL (PLAN)
1:20

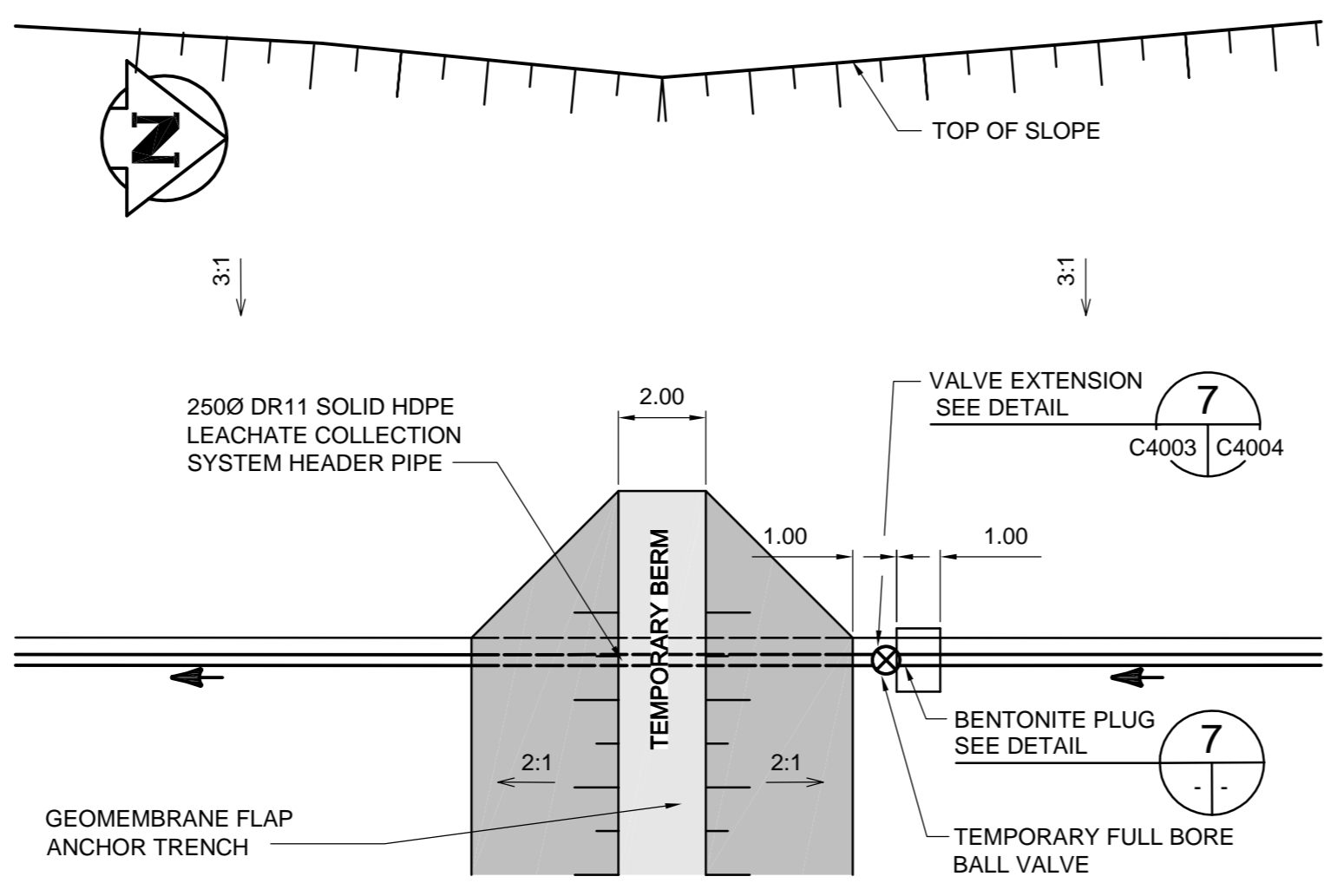
5 PIPING CONNECTION DETAIL (SECTION)
1:20



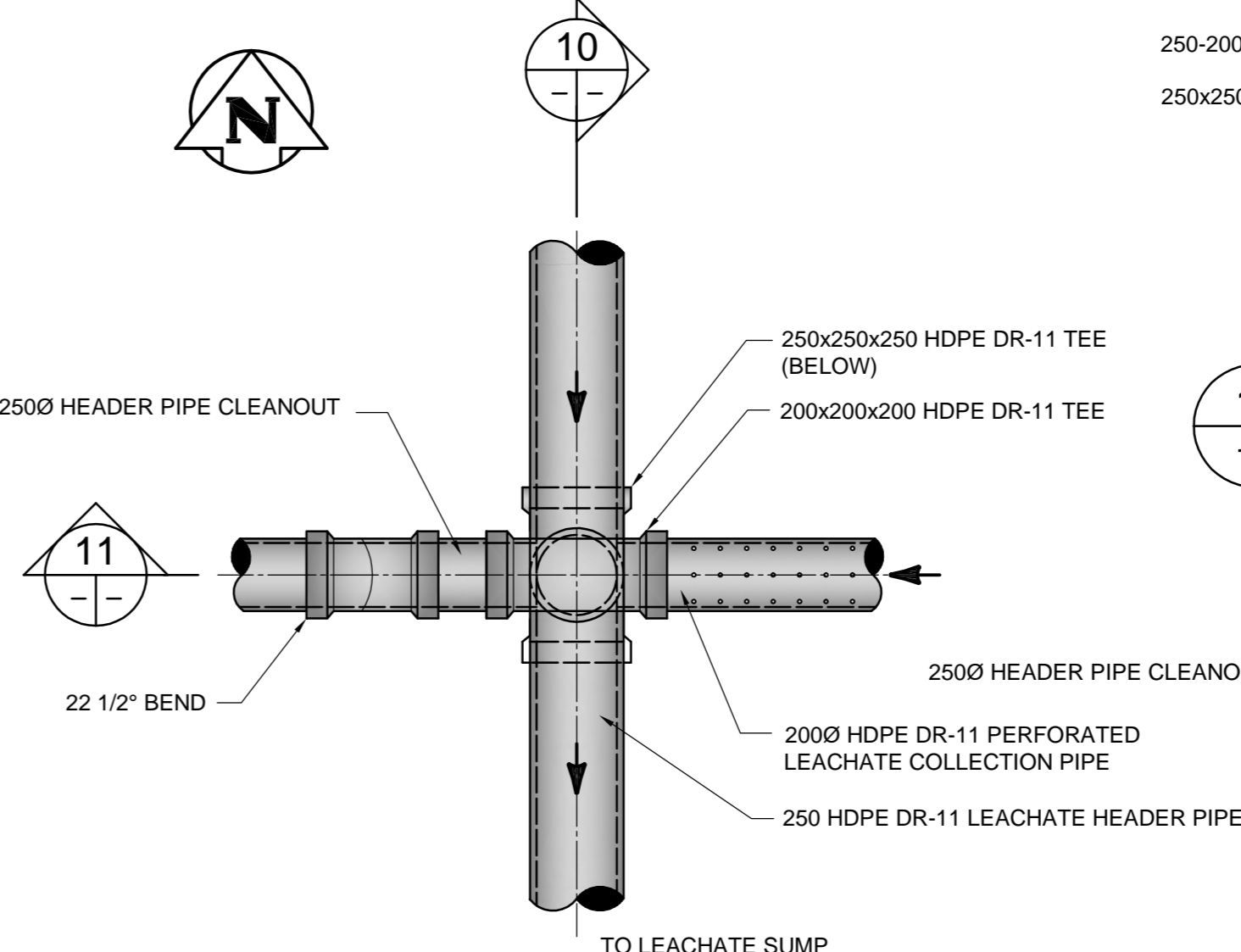
6 PIPING CONNECTION DETAIL (SECTION)
1:20



7 LEACHATE HEADER PIPE PLUG SECTION
1:20

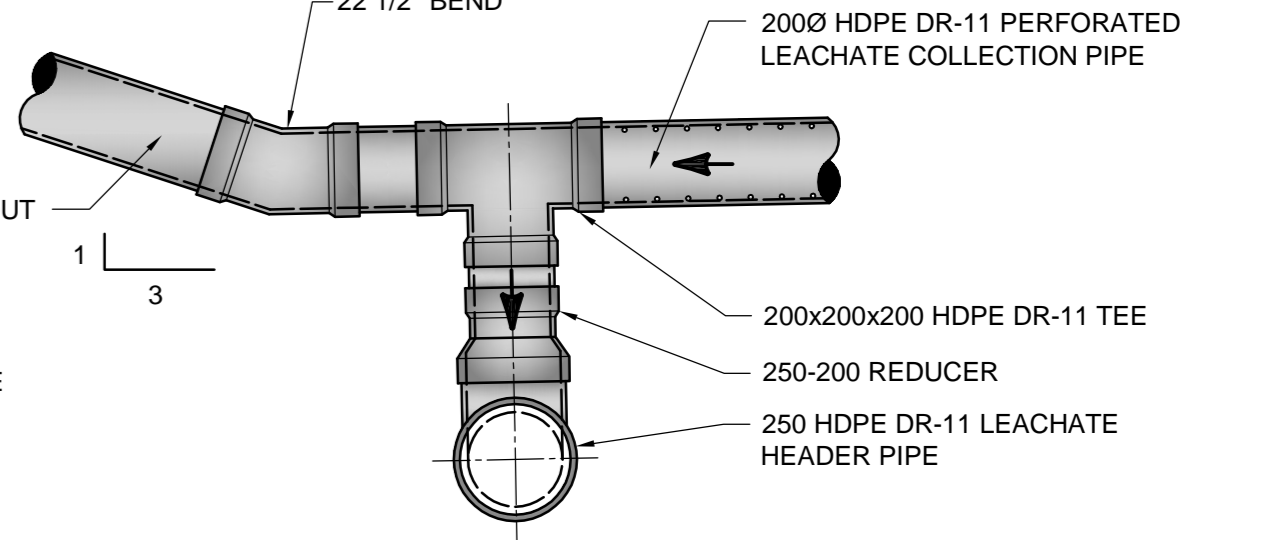


8 LEACHATE HEADER PIPE AT TEMPORARY BERM
1:150



9 PIPING CONNECTION (PLAN)
1:20

10 PIPING CONNECTION (SECTION)
1:20

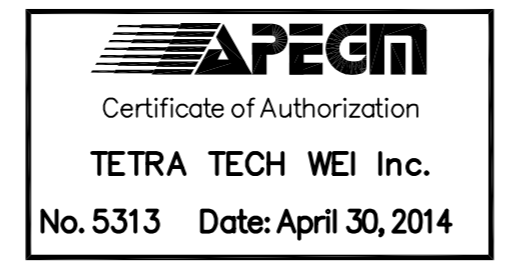


11 PIPING CONNECTION (SECTION)
1:20

SOUTH PHASE

NORTH PHASE

BID OPPORTUNITY 259-2014



B.M. ELEV.	DATE	BY



DESIGNED BY	JM	CHECKED BY	GS
DRAWN BY	GMD	APPROVED BY	BLM
HOR. SCALE:	AS NOTED	RELEASED FOR CONSTRUCTION	
VERTICAL:			
DATE	14.01.09	DATE	



BRADY ROAD LANDFILL ACCESS ROAD AND DISPOSAL CELL		CITY DRAWING NUMBER SWD-D-441
DISPOSAL CELL DETAILS		SHEET 14 OF 20
CONSULTANT DRAWING NO. 1300120600-DWG-C0014		