

## MATERIALS

### WOOD SLATS:

- VERTICAL GRAIN CLEAR SITCA SPRUCE OR CLEAR CEDAR
- FINISH - SIKKENS CETOL No. 078 NATURAL or PAINTED FINISH: GREEN, WALNUT, CEDAR OR GREY (AS SPECIFIED)

### METAL LEG OPTIONS:

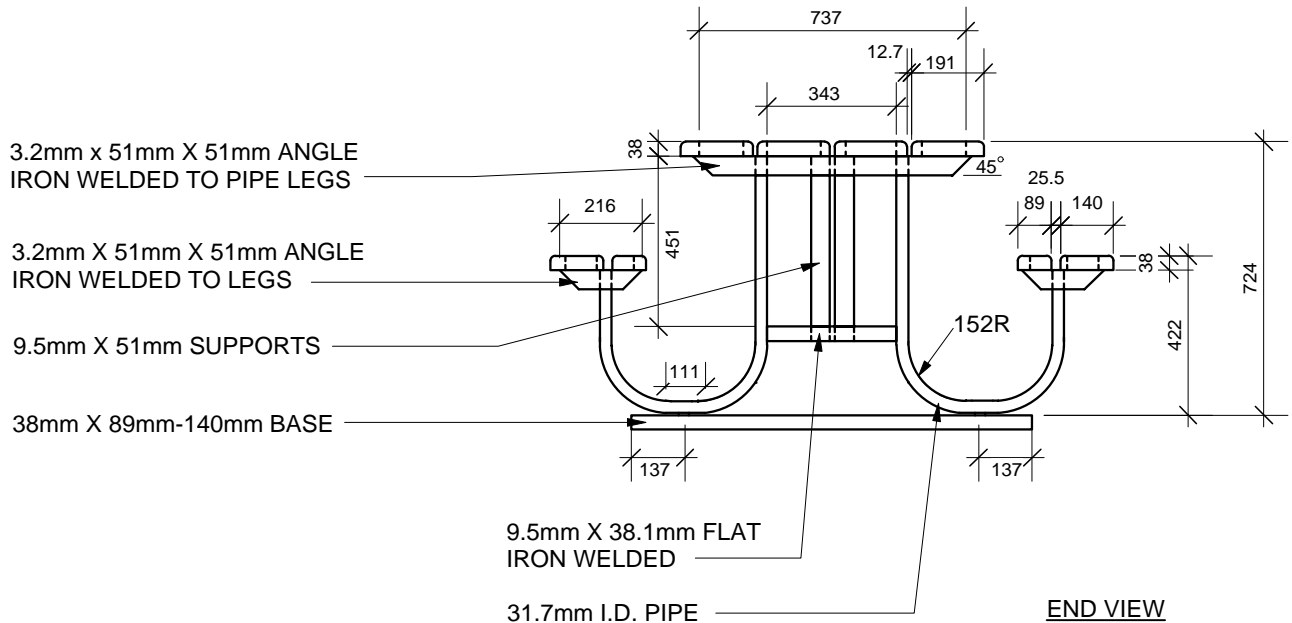
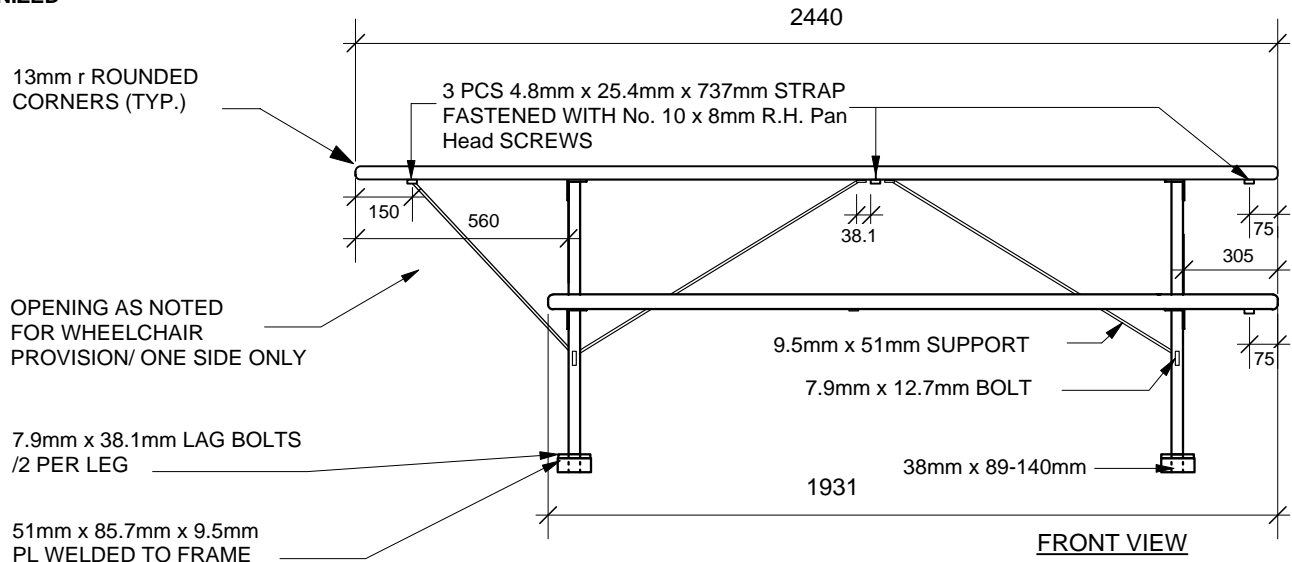
- **BLACK POWDERCOATED** - (Metal suitably cleaned to remove any grease, wax etc. for proper paint bonding to occur. Base coat Zinc rich primer. Baked with a final thickness of paint between 5 - 8 mil)
- or
- **GALVANIZED**

Drawing Title:

# TACHE STYLE WHEELCHAIR METAL FRAME PICNIC TABLE

Drawing No:

**SCD-122A**



### NOTE:

ALL TABLE TOP AND SEAT BOARDS TO BE FASTENED TO ANGLE IRONS WITH 8mm CARRIAGE BOLTS SECURED WITH WASHER AND NUT.

DIMENSIONS SHOWN ARE IN MILLIMETRES UNLESS OTHERWISE SPECIFIED

REVISION: 1  
DATE: January 12, 2012  
SCALE: N.T.S.  
DRAWN BY: SP

The City of Winnipeg  
Planning, Property and Development Department  
Parks, Waterways & Community Initiatives Division  
Unit 15 - 30 Fort Street, Winnipeg, MB, R3C 4X5

