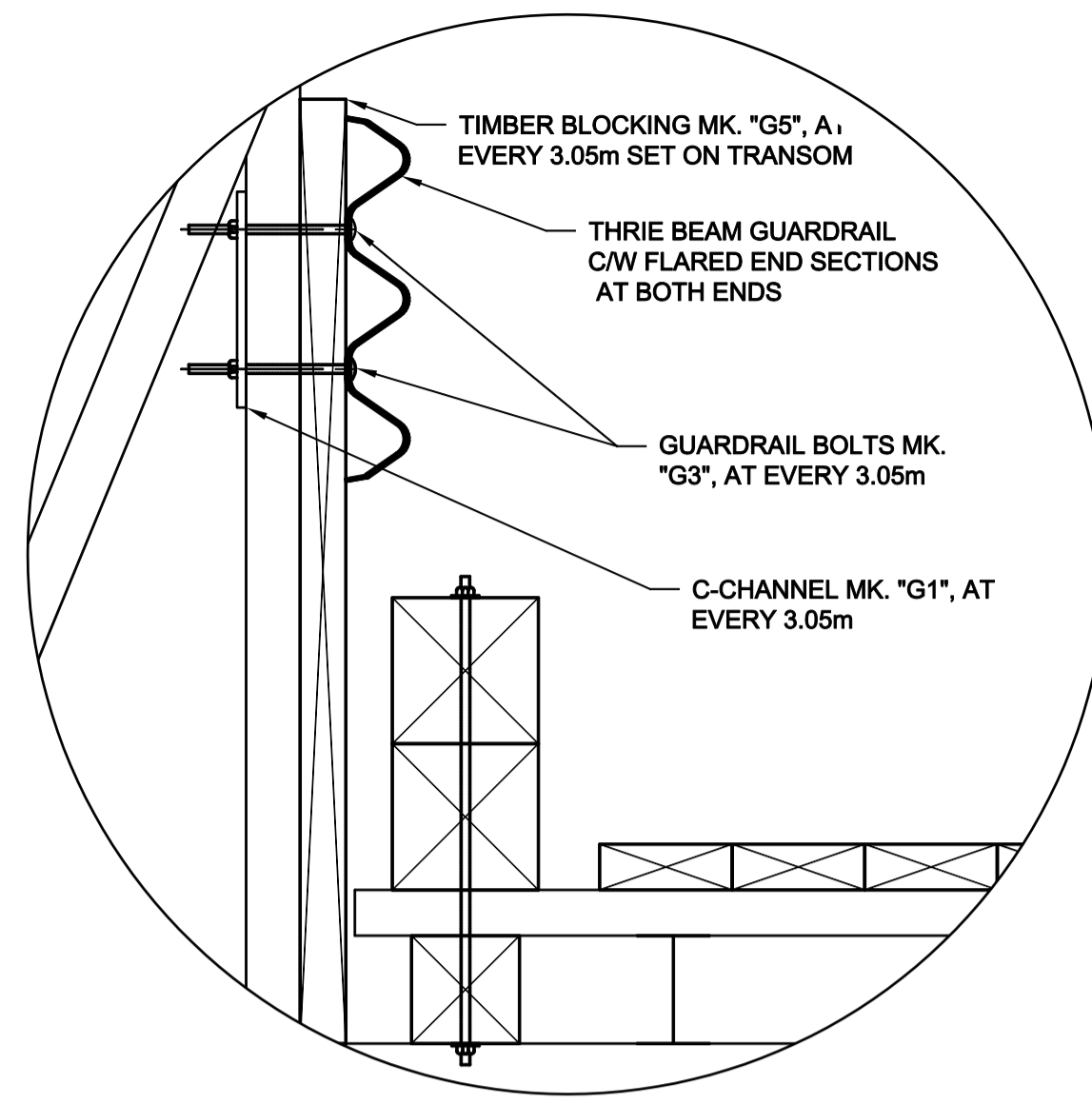
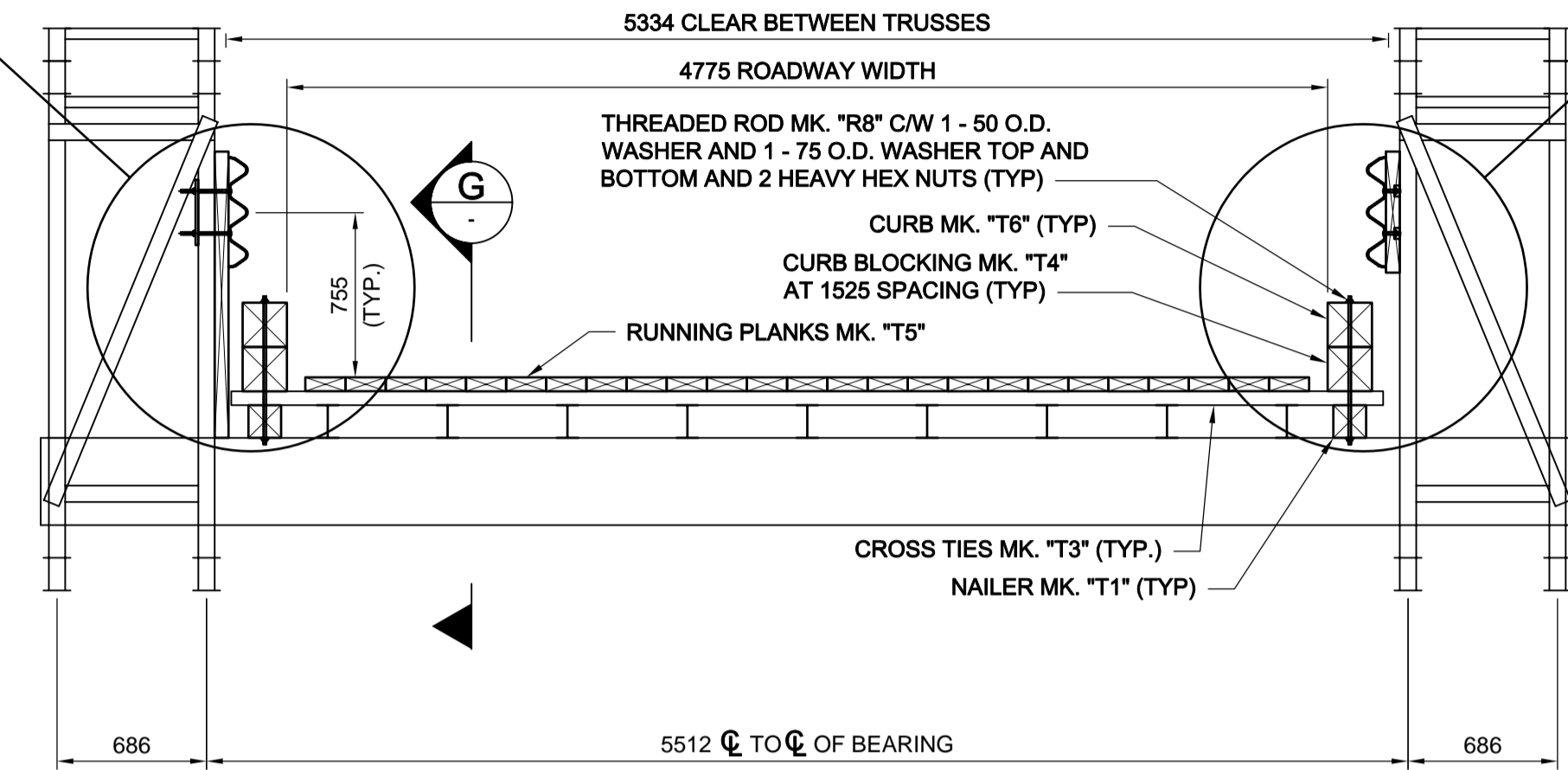


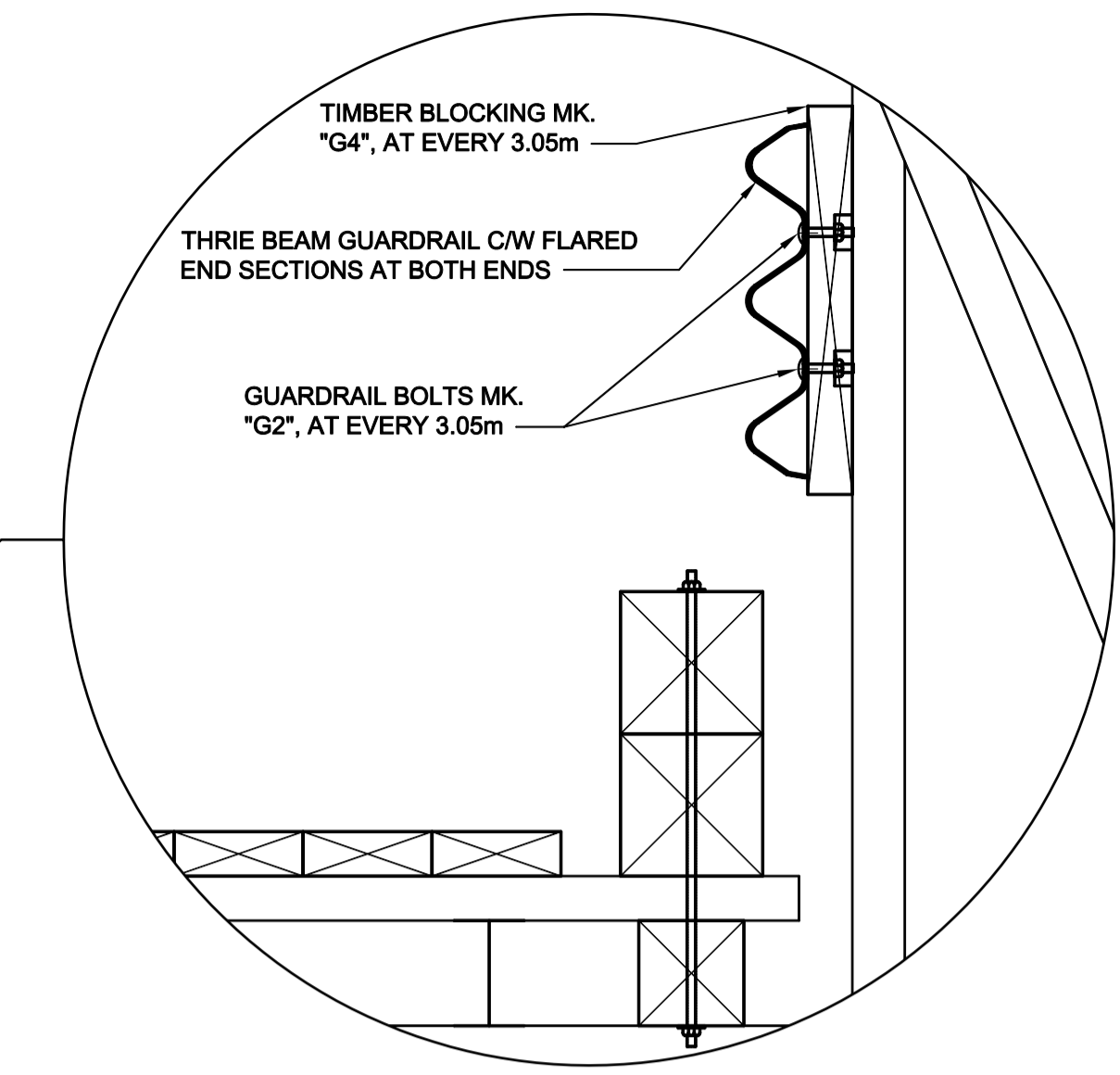
PARTIAL GUARDRAIL ELEVATION
1:30



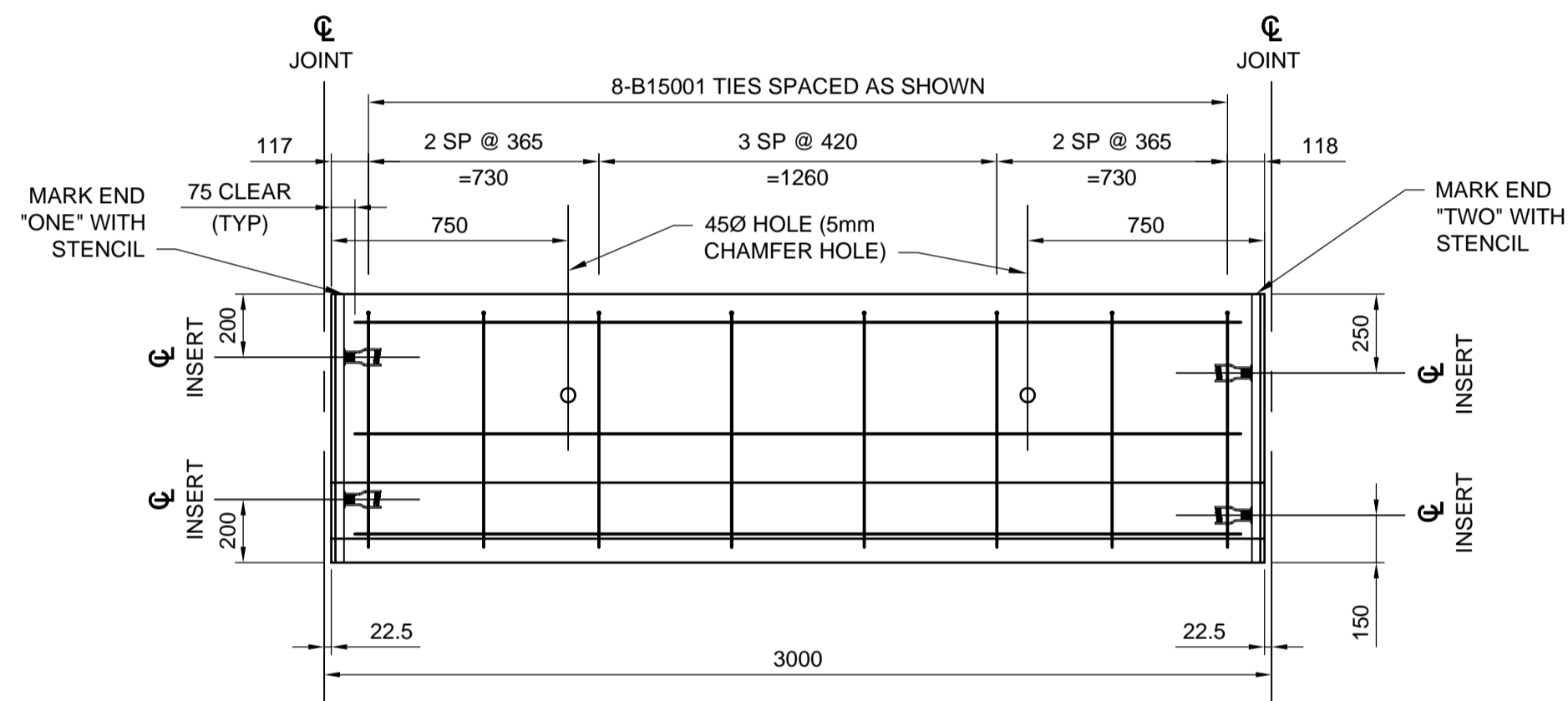
GUARDRAIL CONNECTION
1:10
TYPICAL THRIE BEAM RAILING
INSTALLATION AT TRANSOM BEAMS.



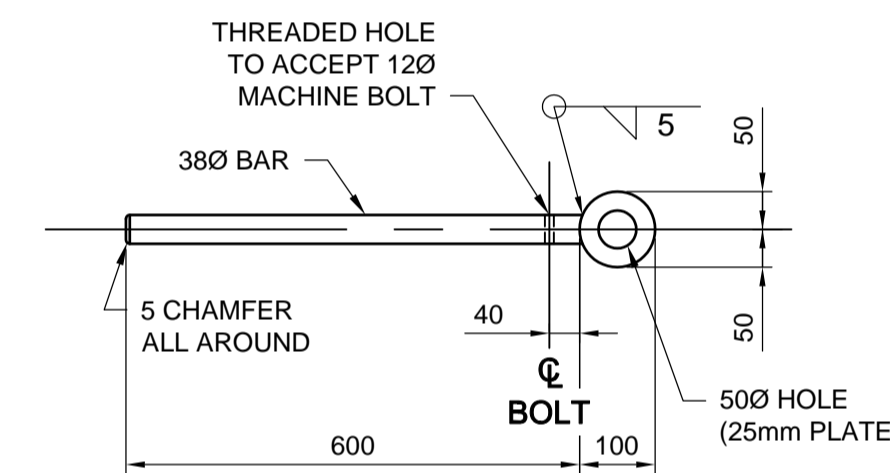
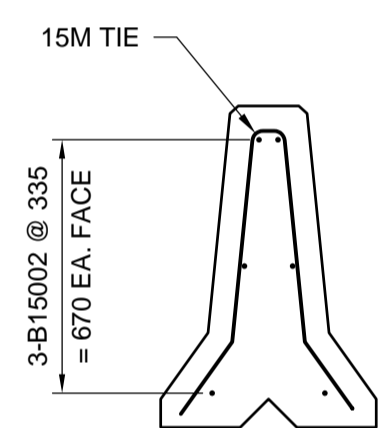
B SECTION
1:30



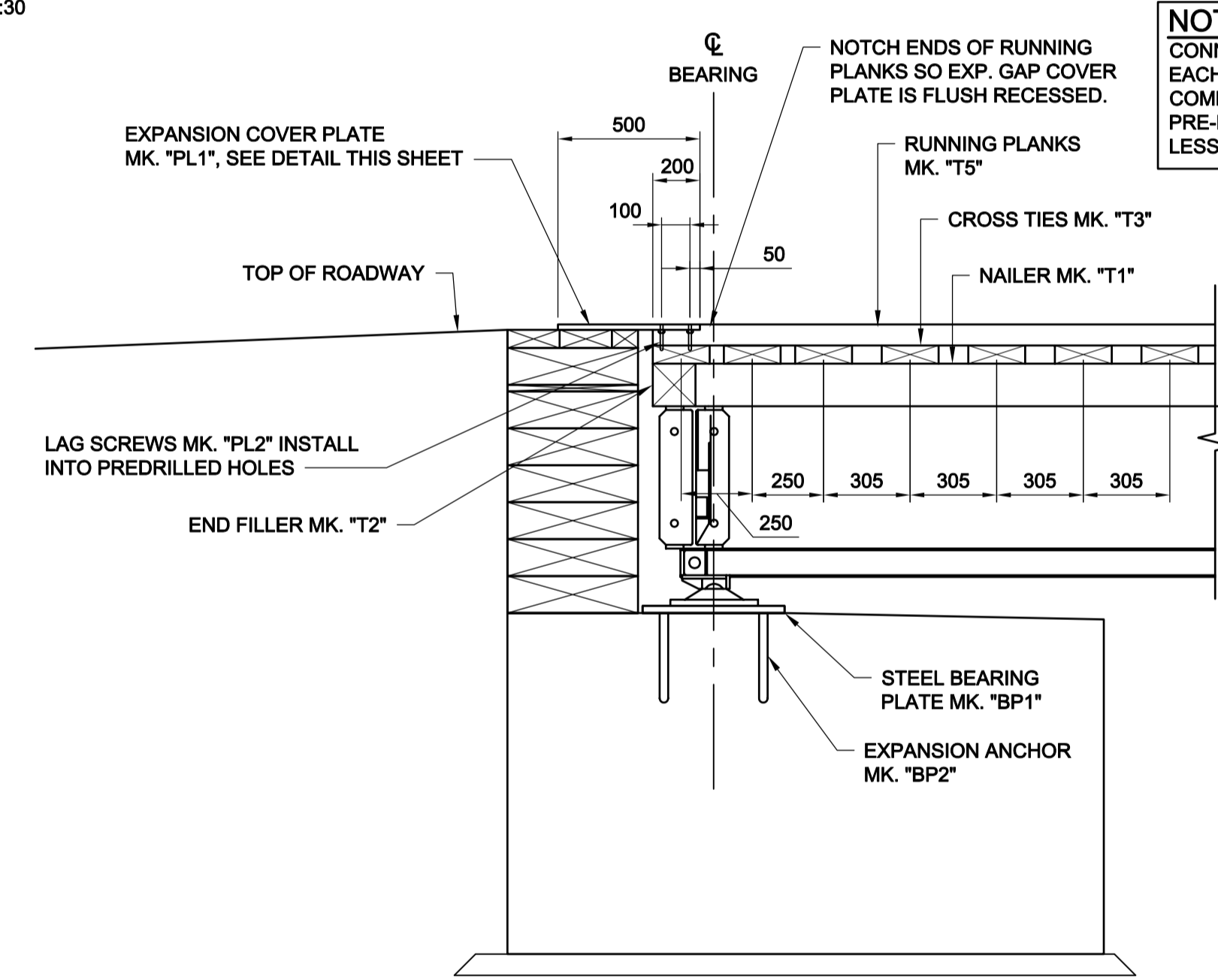
GUARDRAIL CONNECTION
1:10
TYPICAL THRIE BEAM RAILING
INSTALLATION AT INTERMEDIATE CHORD
LOCATIONS.



APPROACH BARRIER
1:20

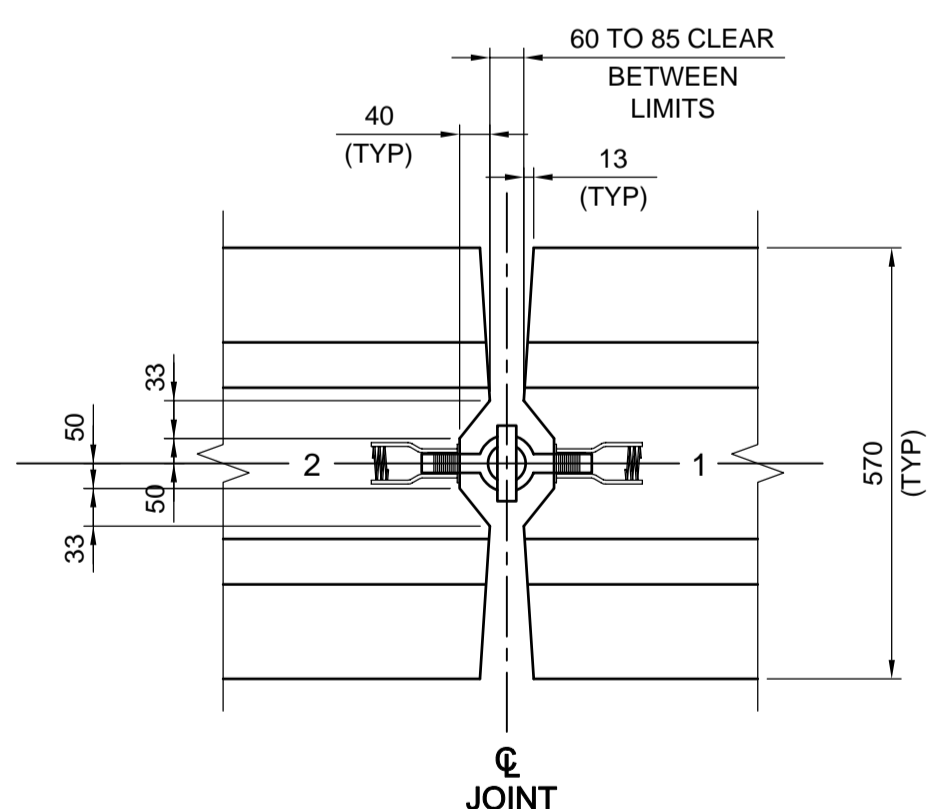


PIN DETAIL
1:10

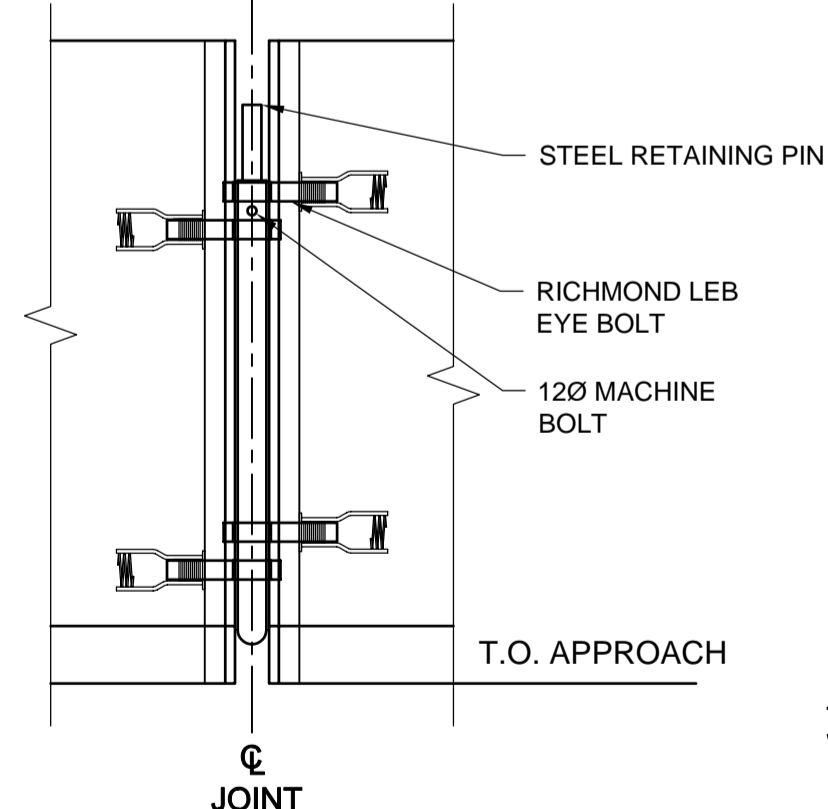


G SECTION
1:20

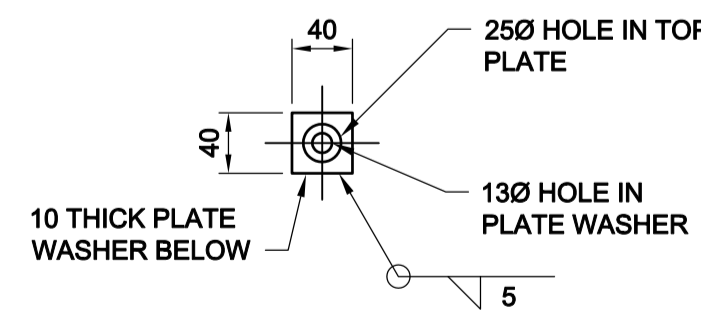
NOTE:
CONNECT EACH MK. "T3" CROSS TIE AT EACH MK. "T1" NAILER WITH 2-200 LG. COMMON NAILS (MK. "Y2") INTO PRE-DRILLED HOLES 2-3mm DIAMETER LESS THAN NAIL DIAMETER.



CONNECTION DETAIL - PLAN
1:10



CONNECTION DETAIL - ELEVATION
1:10



5 DETAIL
1:5

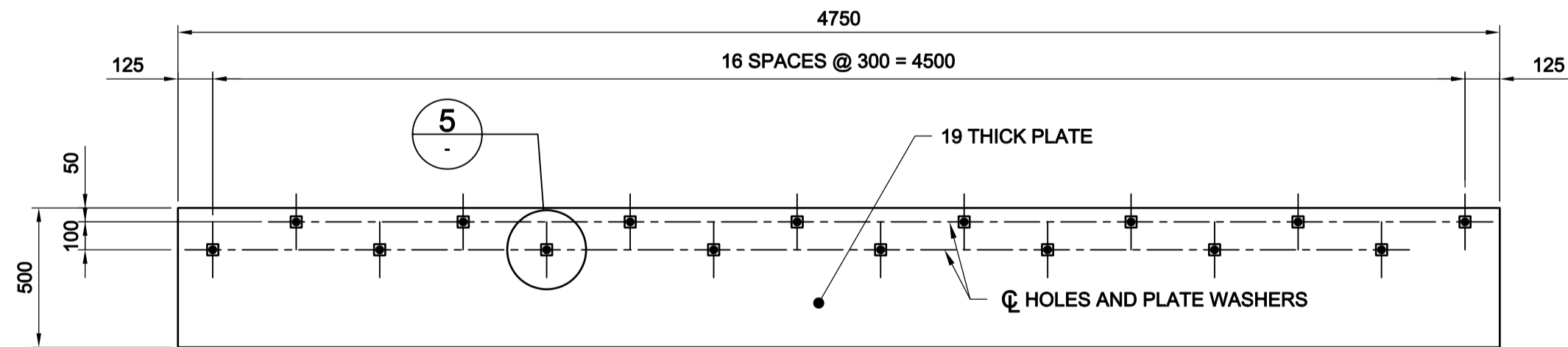


PLATE MK. "PL1"
1:20

NOTES:
1. FOR "BILL OF TIMBER FOR EAST AND WEST ABUTMENTS, DECK AND GUARDRAILS" AND "BILL OF MISCELLANEOUS METAL FOR EAST AND WEST ABUTMENTS, DECK AND GUARDRAILS" SEE SHEET No. 10

METRIC

WHOLE NUMBERS INDICATE MILLIMETRES
DECIMALIZED NUMBERS INDICATE METRES

G:\CAD\138363\11-Structural\01-Deck and Guardrail Details_1.dwg



| | | | | |
|----------------------------------|---------------------|---------------------------|--|-----------------|
| B.M. ELEV. | DESIGNED BY GCL | | ENGINEER'S SEAL | ENGINEER'S SEAL |
| | DRAWN BY JLD | | | |
| | CHECKED BY MBL | | THE CITY OF WINNIPEG WATER AND WASTE DEPARTMENT | |
| | APPROVED BY MBL | | BRIDGE OVER THE FALCON RIVER DIVERSION & ASSOCIATED ROADWORKS | |
| | HOR. SCALE VERTICAL | RELEASED FOR CONSTRUCTION | CONSULTANT PROJECT NUMBER 13-8363 | |
| 0 ISSUED FOR TENDER 14/12/17 GCL | DATE BY | DATE 2014/12/17 | CITY DRAWING NUMBER | |
| NO. REVISIONS | DATE BY | DATE | SHEET 09 OF 13 | |
| | | | CONSULTANT DRAWING NUMBER | |

THE CITY OF WINNIPEG
WATER AND WASTE DEPARTMENT

BRIDGE OVER THE FALCON RIVER
DIVERSION & ASSOCIATED ROADWORKS

DECK AND GUARDRAIL DETAILS 1 OF 2

CITY DRAWING NUMBER: ---
SHEET 09 OF 13
CONSULTANT DRAWING NUMBER: ---