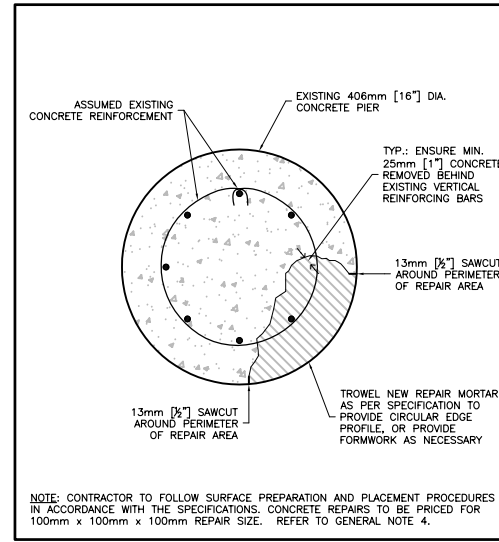


**GENERAL NOTES:**

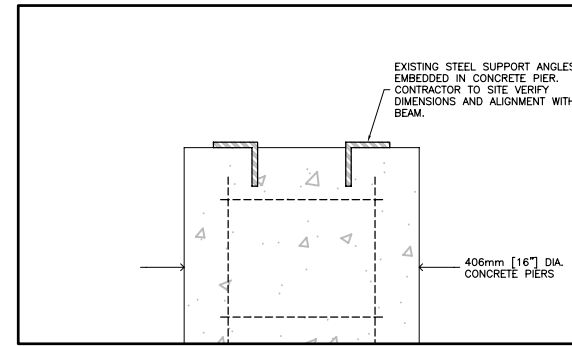
1. DETAILS SHOWN ON THIS DRAWING MAY VARY FROM EXISTING SITE CONDITIONS, WHICH ARE TO BE VERIFIED BY CONTRACTOR IN STRICT ACCORDANCE WITH THE SPECIFICATIONS. EXISTING STEEL SUPPORT BRACKETS MAY NOT BE SAME LENGTH AS THE WIDTH OF THE BEAMS.
2. CONTRACTOR IS RESPONSIBLE FOR ALL SITE MEASUREMENTS AND SCHEDULING OF WORK SEQUENCES IN ACCORDANCE WITH THE SPECIFICATIONS. THIS WORK WILL HAVE A SIGNIFICANT IMPACT ON THE REPLACEMENT BEAM FABRICATION AND INSTALLATION SCHEDULE, AND MUST BE CLOSELY ESTABLISHED AND IMPLEMENTED.
3. CONTRACTOR TO COORDINATE INSPECTION OF EXISTING CONCRETE PIER AND STEEL SUPPORTS WITH DEPARTMENTAL REPRESENTATIVE.
4. CONTRACTOR TO CARRY OUT CONCRETE PIER REPAIRS IN ACCORDANCE WITH THE SPECIFICATIONS AND THIS DRAWING. THE REQUIREMENT FOR ADDITIONAL CONCRETE REPAIRS WILL BE DETERMINED BY THE DEPARTMENTAL REPRESENTATIVE, AND WILL BE AS PER THE CONTRACTOR'S SUBMITTED UNIT RATE. CONTRACTOR TO INCLUDE COST FOR TWO CONCRETE REPAIRS IN CONTRACT.
5. CONTRACTOR TO REMOVE EXISTING SOIL BELOW THE BEAMS TO ENSURE THAT THERE IS A 150mm [6"] GAP BETWEEN THE UNDERSIDE OF THE BEAM AND THE TOP OF THE SOIL, FOR THE FULL LENGTH OF THE BEAM.



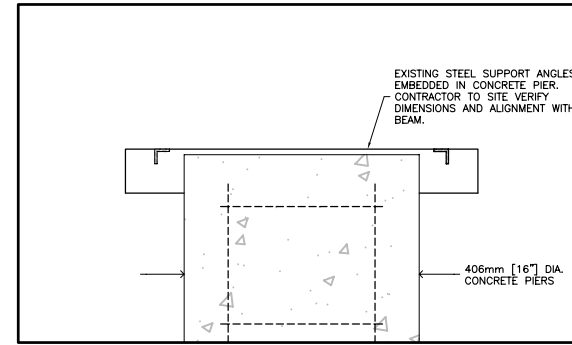
PHOTO OF EXISTING STEEL SUPPORT & CONCRETE PIER



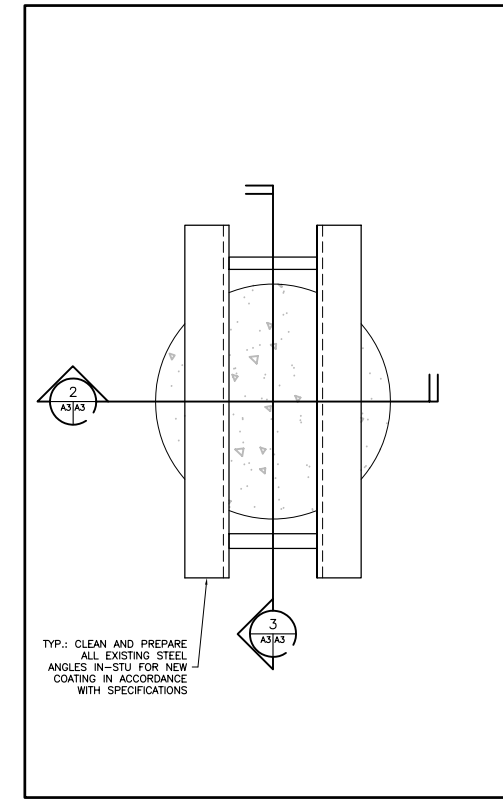
1 PLAN - EXISTING CONCRETE PIER REPAIR  
SCALE 1:5



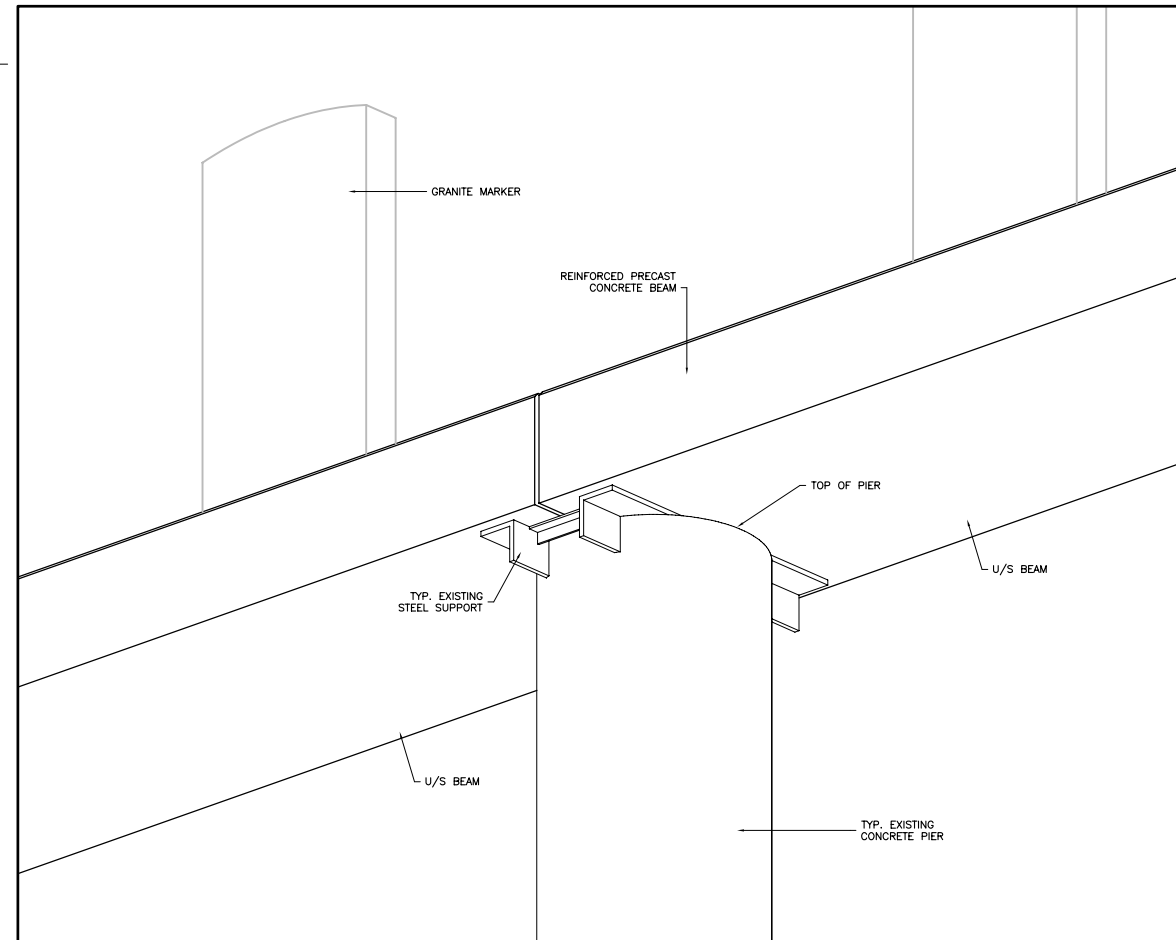
2 SECTION - STEEL SUPPORT  
SCALE 1:5



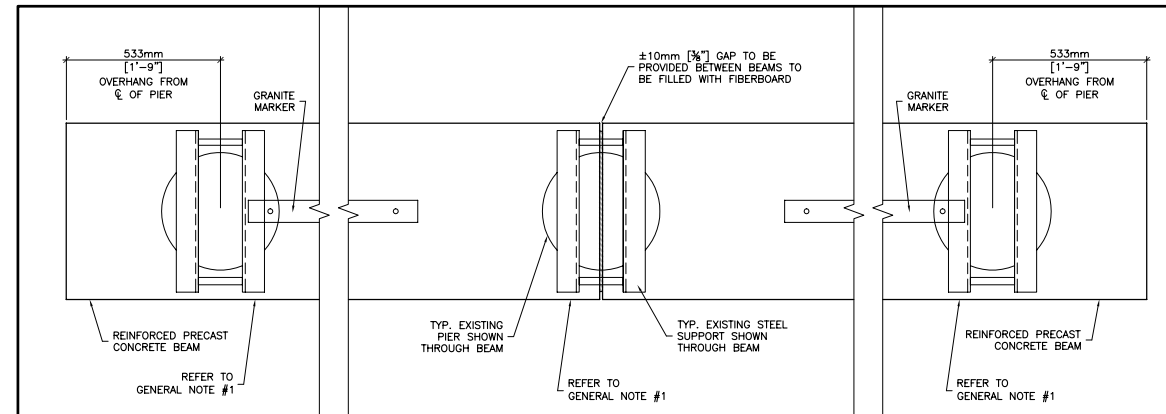
3 SECTION - STEEL SUPPORT  
SCALE 1:5



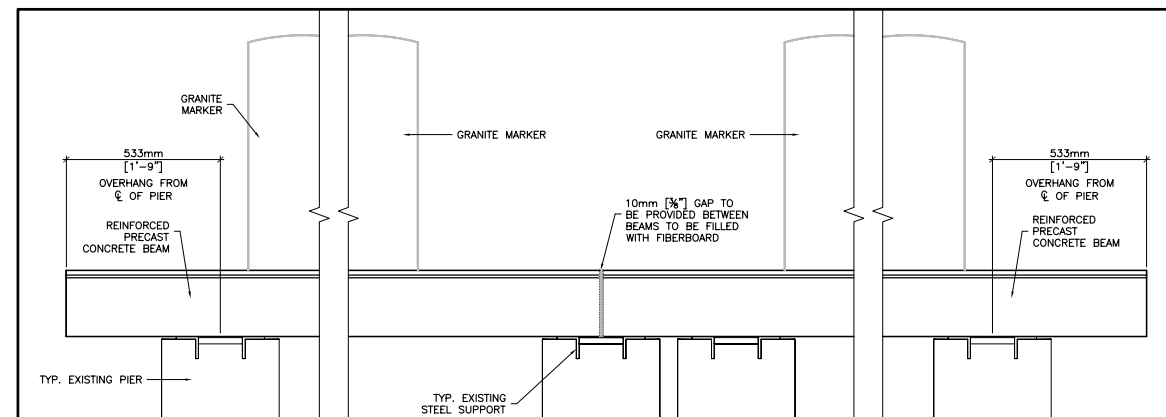
4 PLAN - STEEL ANGLE SEAT  
SCALE 1:5



7 ISOMETRIC VIEW - U/S OF CONCRETE BEAM  
SCALE 1:5



5 PLAN VIEW - EXISTING LOCATIONS OF PIERS  
SCALE 1:10



6 TYPICAL ELEVATION W/ EXISTING PIERS & STEEL SUPPORTS  
SCALE 1:10

KEY PLAN  
PLAN-REPÈRE

O6		
O5		
O4	REVISED FINAL SUBMISSION	2008/07/28
O3	100% FINAL SUBMISSION	2008/01/20
O2	99% SUBMISSION	2007/12/13
O1	FOR QUALITY REVIEW	2007/12/10
revision		date

A	A detail no. / no. du détail
B	B key location empl. c/sé
C	C detail location empl. du détail

project / projet

BROOKSIDE CEMETERY  
MARKER MOUNTING  
BEAM REPLACEMENT

WINNIPEG, MANITOBA

drawing / dessin

BEAM SUPPORT  
DETAILS AND  
EXISTING CONCRETE  
PIER REPAIRS

designed / conçu

M. McDEVITT  
2007/11/19

drawn / dessiné

C. CHANDLER  
2007/11/19

reviewed / examiné

D. STEPHENSON  
2007/12/13

approved / approuvé

date / soumission

Project Manager / Administrateur de projets  
WAYNE RAMSEY

project no. / no. du projet  
116449

drawing no. / no. du dessin  
A-3 of/de A-3

Scale 1:1