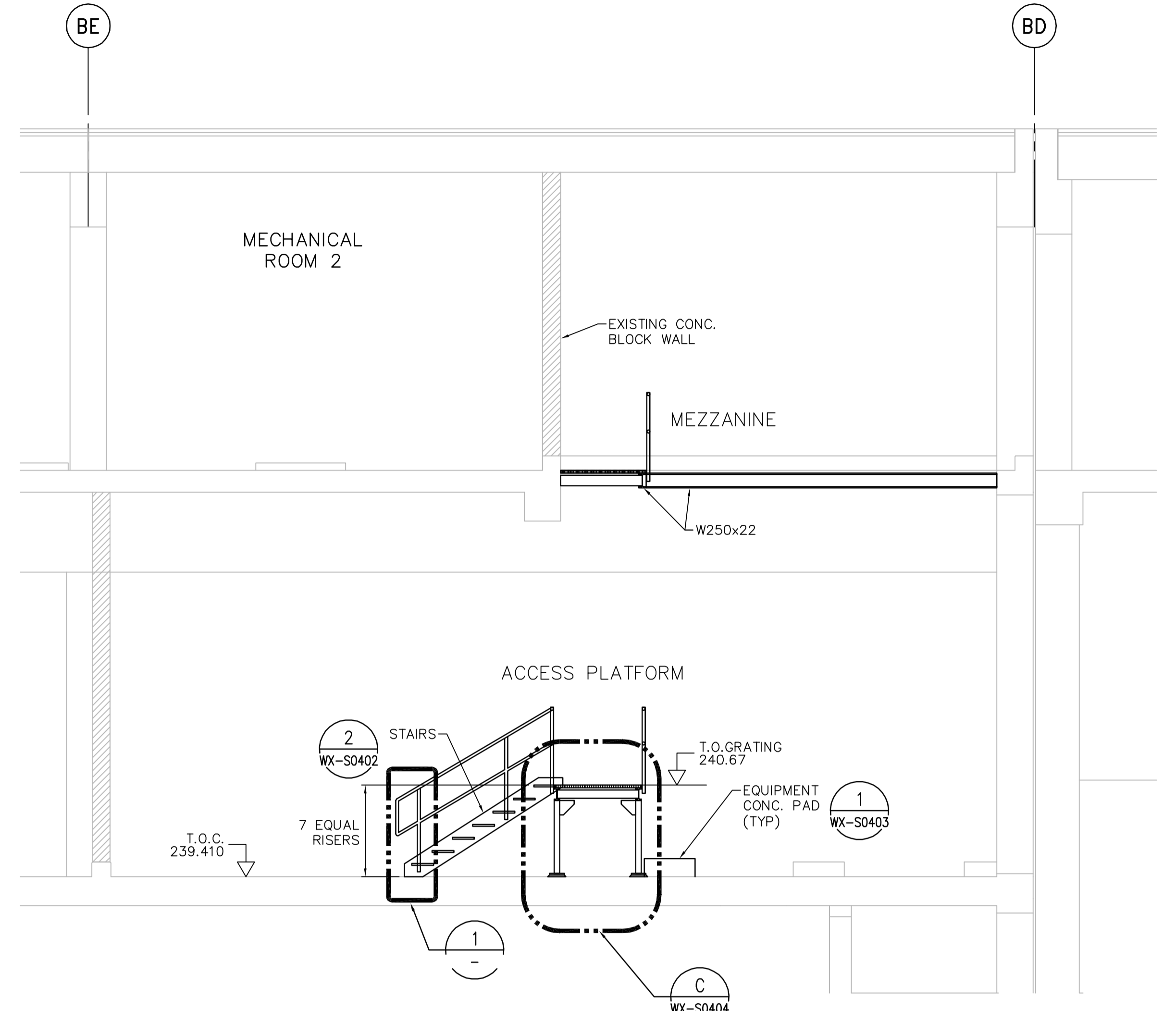
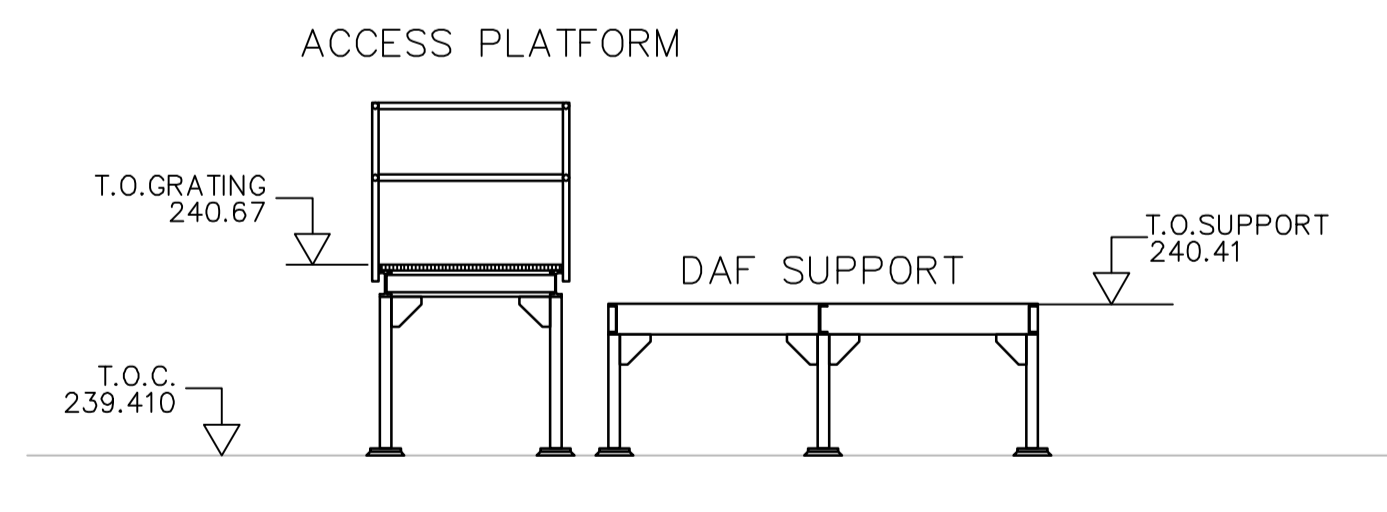


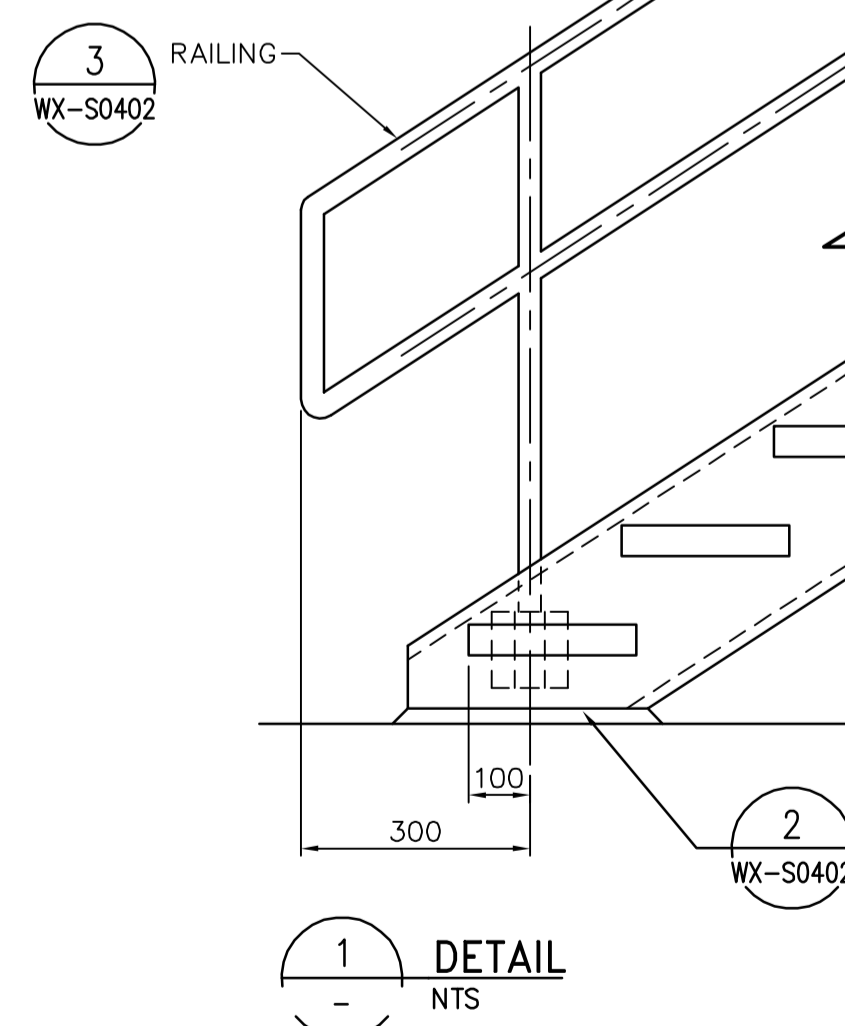
B SECTION
WX-S0121 1:50



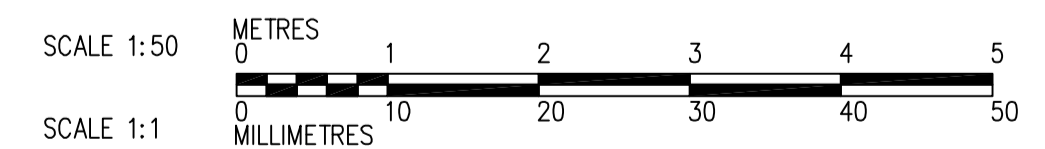
C SECTION
WX-S0121 1:50



D SECTION
WX-S0121 1:50



1 DETAIL
NTS



APEGM
Certificate of Authorization
CH2M HILL Canada Ltd.
No. 1441 Date: 2014 01 21

B.M. ELEV.			
CONSTRUCTION COMPLETION DATE: YYYY MM DD			
0	ISSUED FOR TENDER	14-01-21	JBC
NO.	REVISIONS	DATE	BY

CH2MHILL			
DESIGNED BY	KS	CHECKED BY	RP
DRAWN BY	JBC	APPROVED BY	BW
SCALE:	AS NOTED		RELEASED FOR CONSTRUCTION
HORIZONTAL			
VERTICAL			
	DATE	2014 01 21	DATE

ENGINEER'S SEAL

CONSULTANT DRAWING NUMBER
WX-S0202

THE CITY OF WINNIPEG
WATER AND WASTE DEPARTMENT
ENGINEERING DIVISION

Winnipeg

MEZZANINE, WALKWAY AND EQUIPMENT SUPPORTS
FOR A WATER TREATMENT RESEARCH AND
PROCESS OPTIMIZATION FACILITY
STRUCTURAL
SECTIONS
SHEET 2 OF 2

SHEET 5 OF 9
CITY DRAWING NUMBER
1-0601X-S0003-002-00