

TK-X210
DAF TANK
DAF AREA: 0.93m²
TANK LENGTH: 2.43m
TANK WIDTH : 1.70m
TANK HEIGHT: 1.63m

P-X201
DAF RECYCLE PUMP
CAPACITY: 3.4m³/hr.
HEAD: 82m

TK-X220
DAF SATURATOR
HEIGHT: 1.1m APPROX.
PRESSURE: 800 kPa

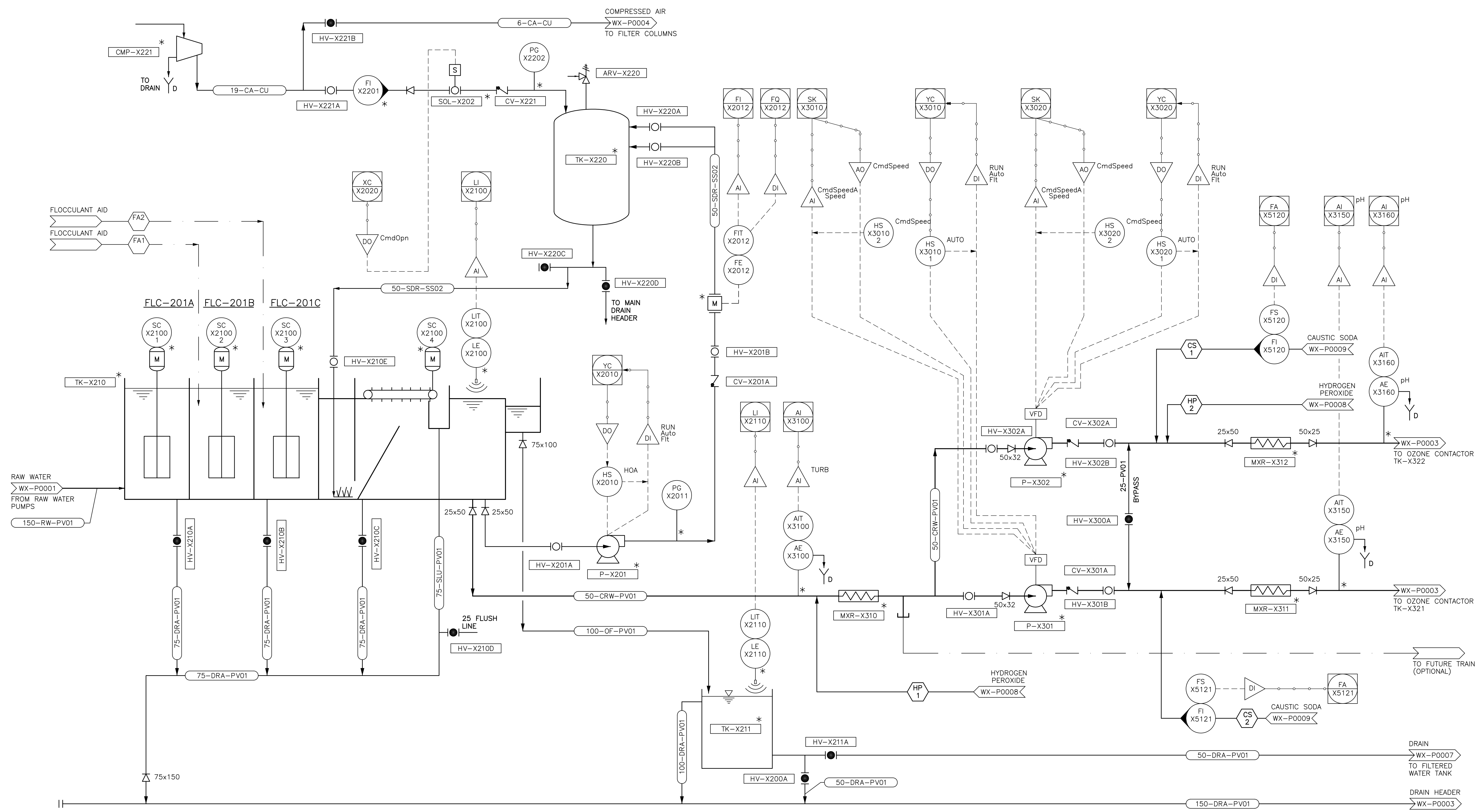
CMP-X221
DAF COMPRESSOR
MAX PRESSURE: 1206.6 kPa

TK-X211
DAF OVERFLOW TANK
SIZE: 2.3m³
DIAMETER: 1.5m
HEIGHT: 1.3m

MXR-X310
STATIC MIXER
SIZE: 50mm
MATERIAL: PVC

P-X301/ X302
CONTACTOR PUMPS
CONTROL: VFD
CAPACITY: 2.83 m³/hr
HEAD: 8.5m

MXR-X311 /X312
STATIC MIXERS
SIZE: 50mm
MATERIAL: PVC



NOTES:
* CITY OF WINNIPEG TO SUPPLY EQUIPMENT/ INSTRUMENTATION.
CONTRACTOR TO INSTALL.

APCGM
Certificate of Authorization
CH2M HILL Canada Ltd.
No. 1441 Date: 2015 01 26

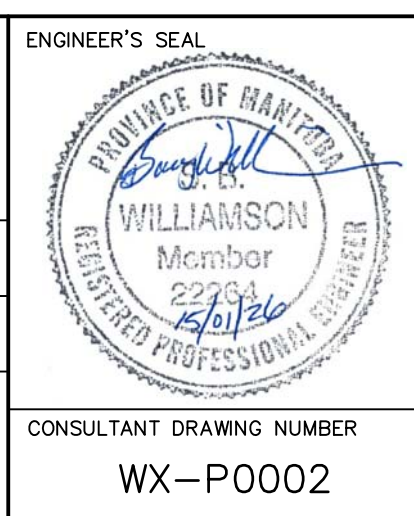


B.M. ELEV.			
CONSTRUCTION COMPLETION DATE: YYYY MM DD			
NO.	REVISIONS	DATE	BY
2	ISSUED FOR BID OP. 1068-2014	15/01/23	JBC
1	ISSUED FOR ADDENDUM No. 1	14/06/24	JBC
0	ISSUED FOR TENDER	14/06/13	JBC

CH2MHILL

DESIGNED BY	KG	CHECKED BY	BW
DRAWN BY	JBC	APPROVED BY	BW
SCALE:		RELEASED FOR CONSTRUCTION	
HORIZONTAL	NTS		
VERTICAL	-		
DATE	2014 06 13	DATE	

PLOT DATE: 2015 01 26



THE CITY OF WINNIPEG
WATER AND WASTE DEPARTMENT
ENGINEERING DIVISION

Winnipeg

CITY OF WINNIPEG WATER TREATMENT RESEARCH
AND PROCESS OPTIMIZATION FACILITY

PROCESS
DAF TANK & RECYCLE SYSTEM
PROCESS AND INSTRUMENTATION DIAGRAM

SHEET X OF X
CITY DRAWING NUMBER
1-0601X-P0002-001-02