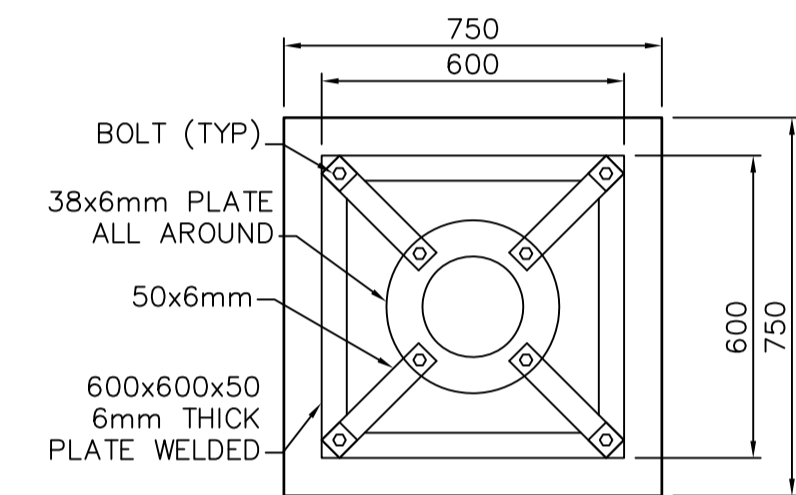
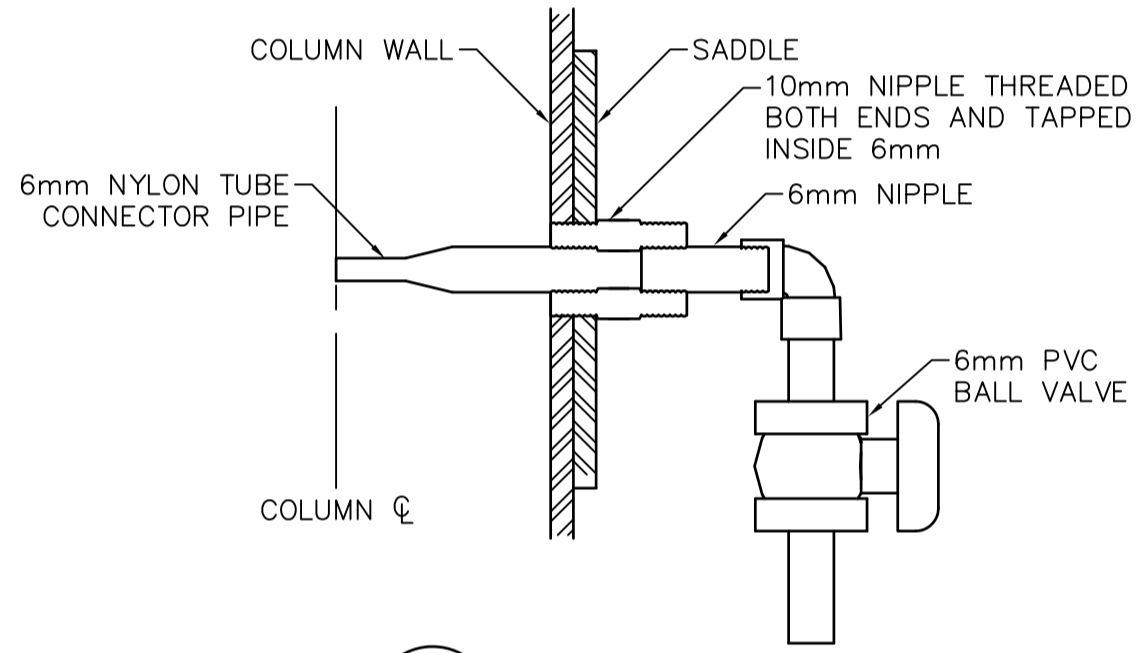


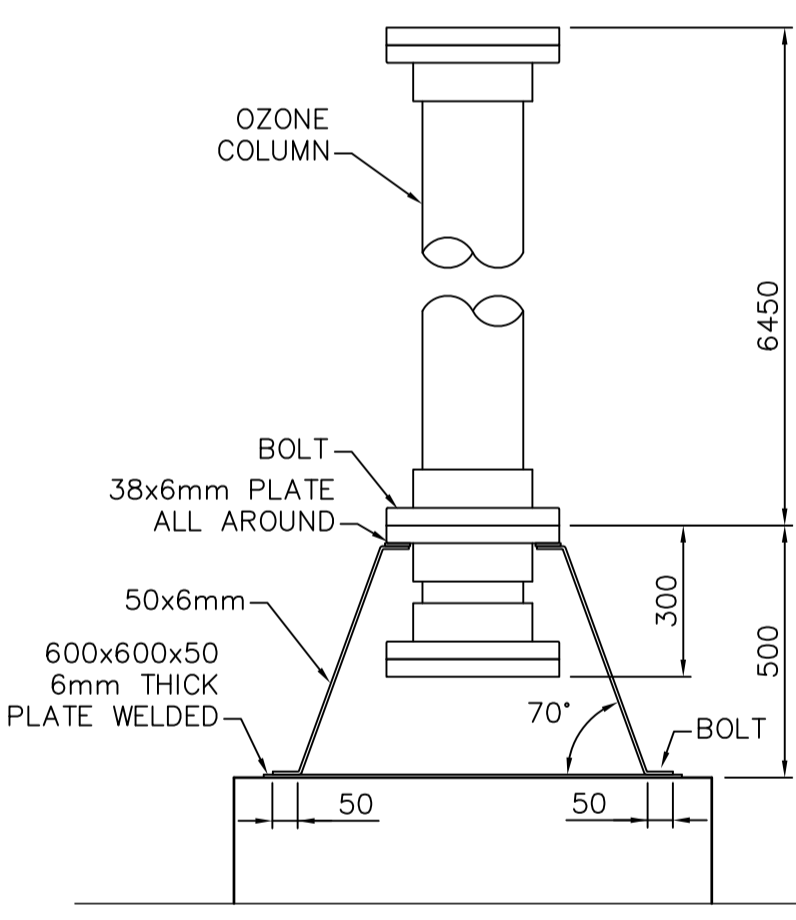
OZONE COLUMNS PLAN
1:5



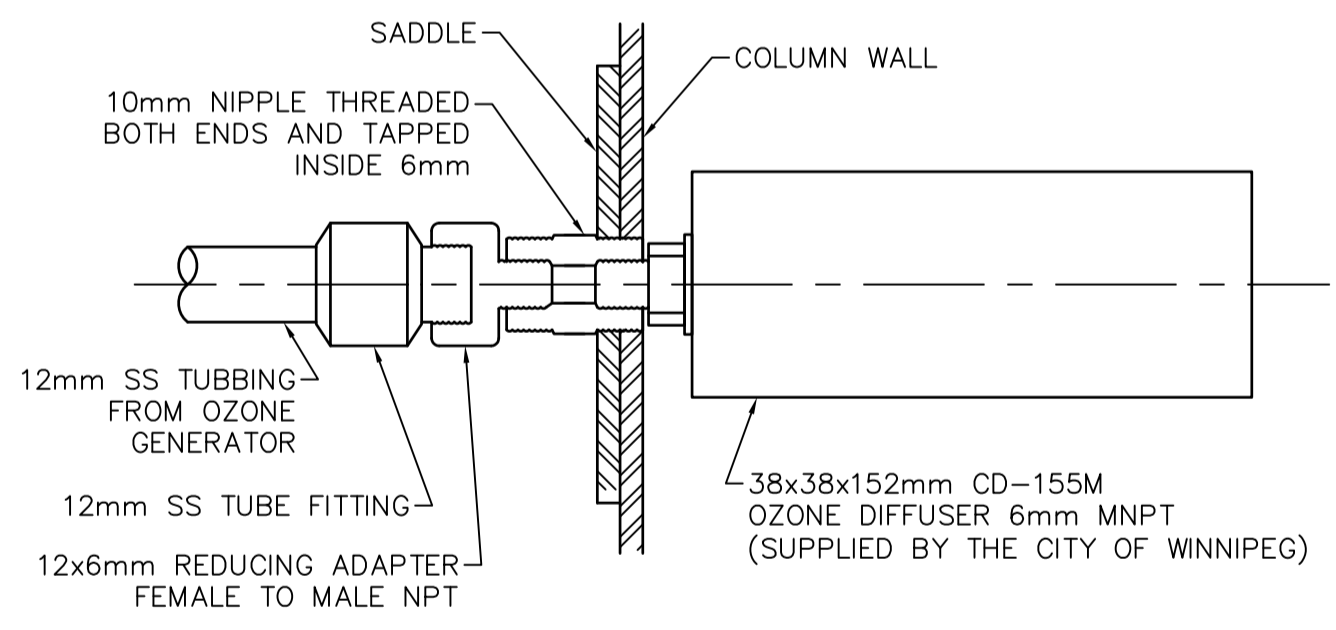
1 DETAIL
NTS



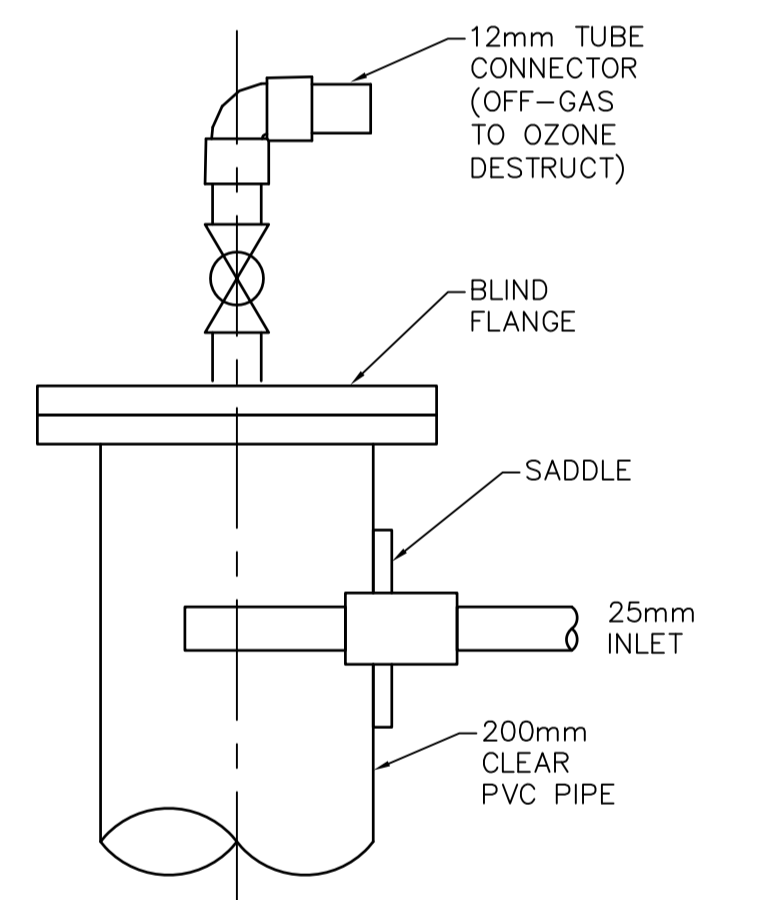
2 DETAIL
NTS



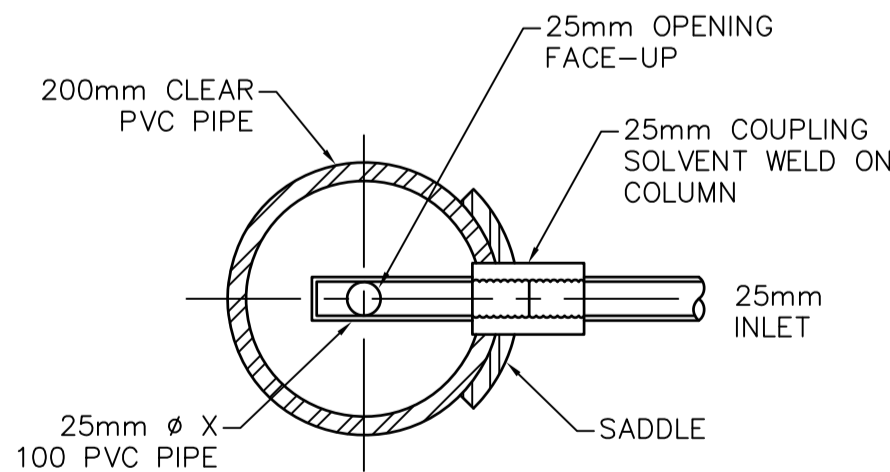
1 DETAIL
NTS



4 DETAIL
NTS

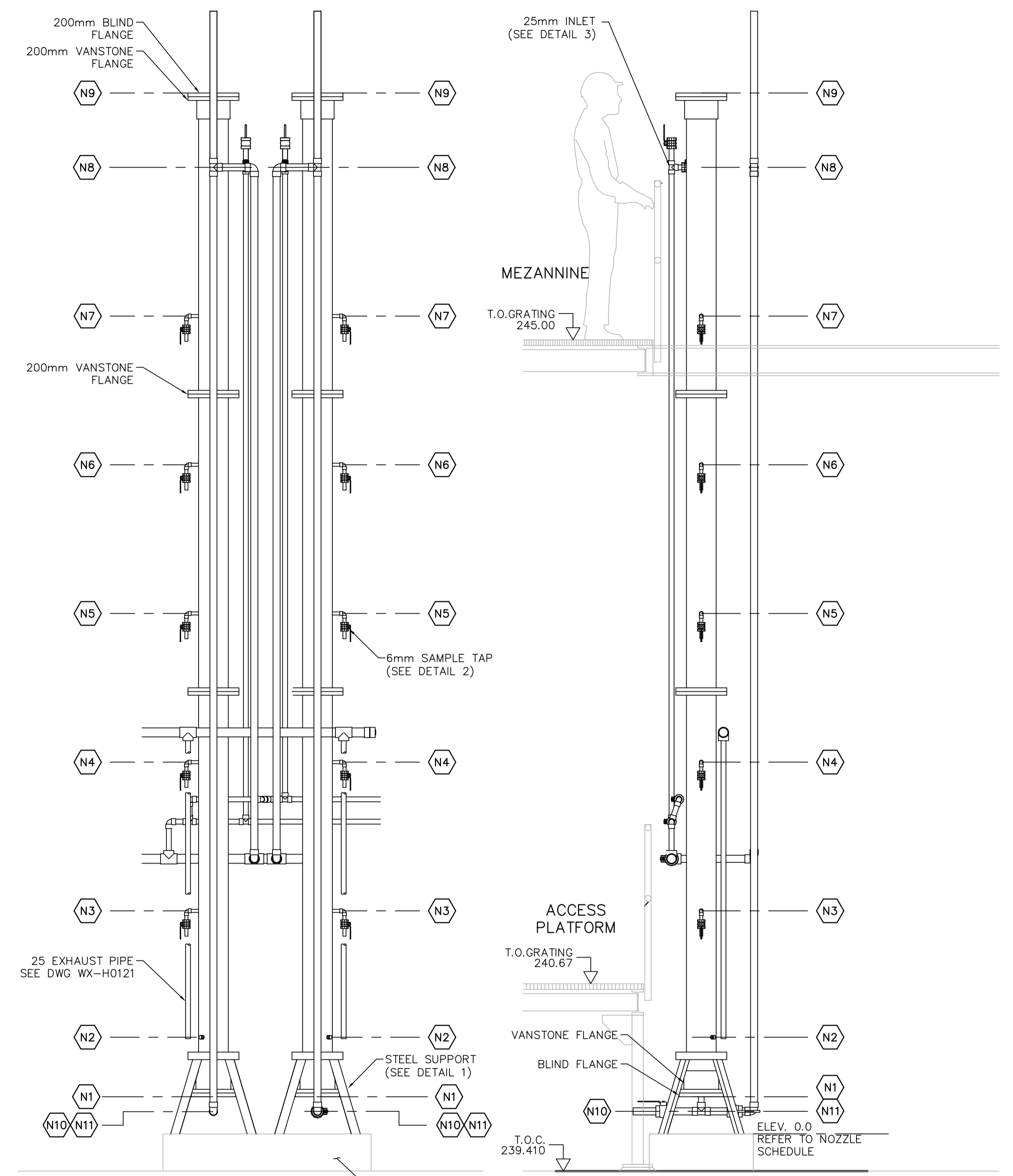


ELEVATION



PLAN

3 DETAIL
NTS



A SECTION (FRONT)
1:20

B SECTION
1:20

NOZZLE SCHEDULE			
TAG No.	SIZE/ SERVICE	DESCRIPTION	ELEV.
N1	38mm OUTLET	DRILL AND TAP FOR NIPPLE	200
N2	6mm DIFFUSER INLET	SEE DETAIL 4	650
N3	6mm SAMPLE TAP	SEE DETAIL 2	1500
N4	6mm SAMPLE TAP	SEE DETAIL 2	2500
N5	6mm SAMPLE TAP	SEE DETAIL 2	3500
N6	6mm SAMPLE TAP	SEE DETAIL 2	4500
N7	6mm SAMPLE TAP	SEE DETAIL 2	5500
N8	25mm INLET	SEE DETAIL 3	6500
N9	12mm VENT	DRILL AND TAP 12mm NPT	7000
N10	38mm DRAIN		150 APPROX.
N11	38mm OZONATED WATER		150 APPROX.

NOTES:
DIFFUSER: SEE DETAIL 4
COLUMNS: ø200mm x 6800mm HIGH, SCH. 80 CLEAR PVC COLUMNS STRAPPED TO SUPPORTING STEEL FOR LATERAL STABILITY.



B.M. ELEV.			
CONSTRUCTION COMPLETION DATE: YYYY MM DD			
DESIGNED BY	KG	CHECKED BY	BW
DRAWN BY	JBC	APPROVED BY	BW
SCALE:		RELEASED FOR CONSTRUCTION	
1 HORIZONTAL	1:50		
0 VERTICAL	-		
DATE	2014 06 13	DATE	
NO.	REVISIONS	DATE	BY
1	ISSUED FOR BID OP. 1068-2014	15/01/23	JBC
0	ISSUED FOR TENDER	14/06/13	JBC

CH2MHILL

DESIGNED BY: KG
CHECKED BY: BW
DRAWN BY: JBC
APPROVED BY: BW
SCALE: HORIZONTAL 1:50, VERTICAL -
DATE: 2014 06 13
PLOT DATE: 2015 01 26

ENGINEER'S SEAL
PROVINCE OF MANITOBA
WILLIAMSON
Member
REGISTERED PROFESSIONAL ENGINEER
CONSULTANT DRAWING NUMBER
WX-M0401

THE CITY OF WINNIPEG
WATER AND WASTE DEPARTMENT
ENGINEERING DIVISION
CITY OF WINNIPEG WATER TREATMENT RESEARCH AND PROCESS OPTIMIZATION FACILITY
PROCESS MECHANICAL
OZONE COLUMN DETAILS
SHEET X OF X
CITY DRAWING NUMBER
1-0601X-M0005-001-01