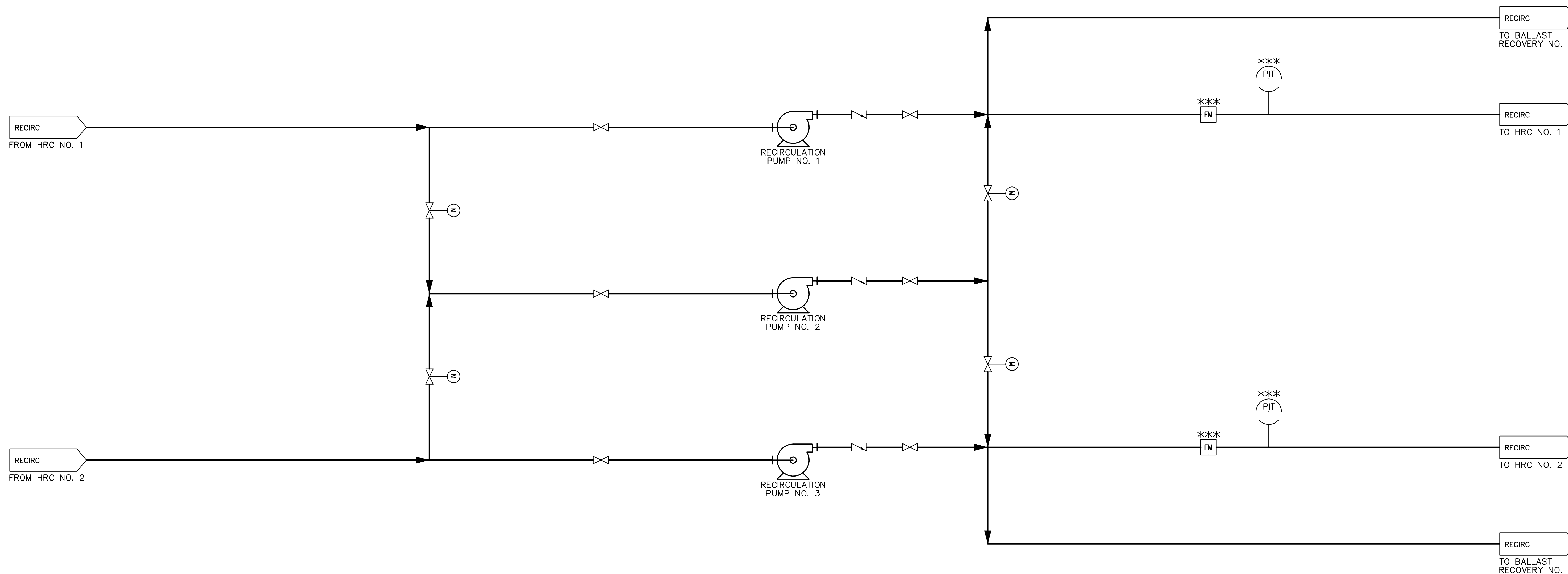


NOTES:

1. DIAGRAM IS SCHEMATIC. NOT ALL REQUIRED COMPONENTS ARE NECESSARILY SHOWN AND NOT ALL COMPONENTS SHOWN NECESSARILY APPLY TO EVERY BIDDER.
2. STARRED (\*\*\*) ITEMS ARE EXCLUDED FROM HRC BIDDERS SCOPE.
3. DIAGRAM ILLUSTRATES SHARED STANDBY PUMP. DEDICATED STANDBY PUMPS ARE ALSO ALLOWED (SEE SPECIFICATIONS).



South End Water Pollution Control Centre HRC Pre-Purchase  
Recirculation Pumps  
SK-1-102